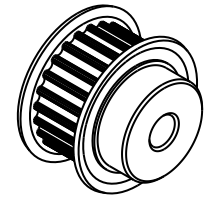
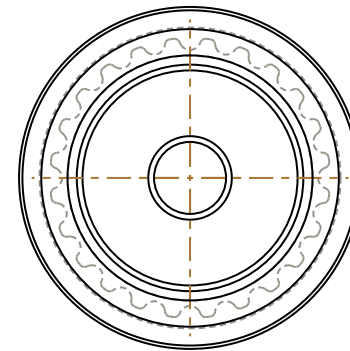
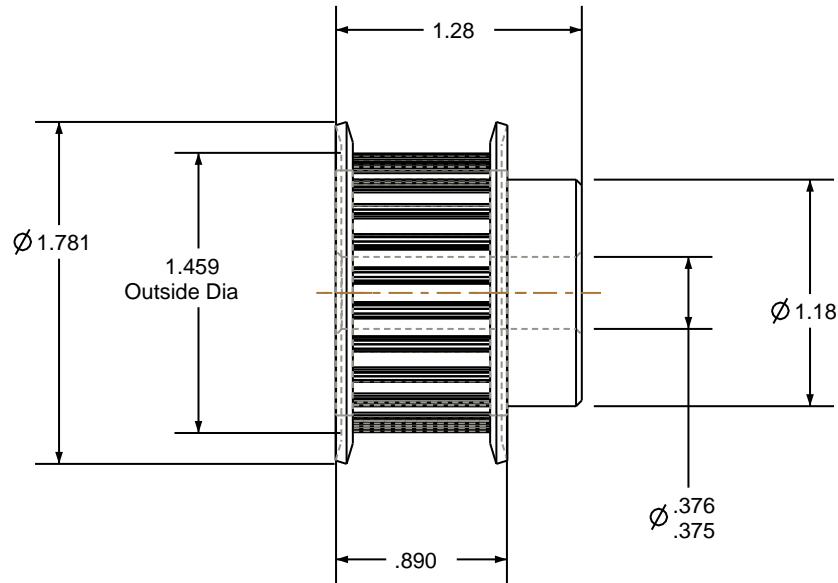


- NOTES:
1. Gates groove profile number: GB-01970-24-S-0
 2. Mark Size: .110



SCALE 0.500



Pulley Data		Tolerances
Number of Grooves:	24	Decimals .X $\pm .015"$.XX $\pm .010"$.XXX $\pm .005"$ Fractions $\pm 1/64"$ Angles $\pm 1^\circ$ TIR .003 Max
Belt Pitch:	5 mm	This document is the property of Gates Corporation. It may not be reproduced in whole or in part or provided to third parties without written authorization from Gates Corporation. All rights are reserved including copyrights.
Tooth Type:	PGGT	
Pitch Diameter:	1.504	
Outside Diameter:	1.459	
Surface Finish:	125 Micro	
Flange Size:	13L-FS	

Rev	Revision	Date	By
Drafted By: -		-	
Checked By: -		-	
Approved By: -		-	
This drawing is a stock power transmission component. Details shown which do not affect drive function may be changed without any notification			
Material: STEEL		Gates Corporation Denver, Colorado	
Finish: CLEAR ZINC		Gates Part No: P24-5MGT-15-MPB	
		Gates Product No: 7709-3024	
		Drawing Number: P24-5MGT-15-MPB	