

GENERAL®

Stud / Voltage / Metal Detector

Ideal for building contractors, carpenters, plumbers, HVAC/R specialists, home inspectors, electricians, realtors, home owners and interior decorators

Features:

- Detects wood joists/studs, live wires, cables and pipes behind walls
- Automatically compensates for wall thickness
- Automatically compensates for distance to wire
- Center arrow and beeper pinpoint edges
- Visual and audible indications
- Marking slot on top of unit
- "9V" battery included
- CE approved

Specifications:

Maximum Wall Thickness for Wood Detection: 3/4 in. (19mm)

Maximum Detection Range for Iron or Copper Pipe: 1.5 in. (38mm)

Maximum Detection Range for AC Voltage: 2 in. (50mm)

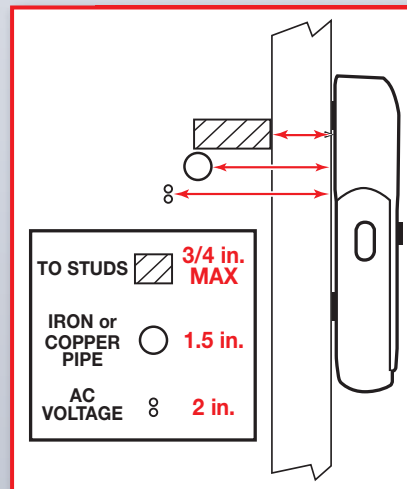
Operating Temperature:
40° to 104°F (5° to 40°C)

Dimensions: 7.1 x 3.0 x 1.2 in.
(180 x 75 x 30mm)

Weight: 7.3 oz. (207g)

Power Source: (1) "9V" Alkaline battery

Battery Life: 1 year normal use

**Maximum Detection Ranges****Locate studs****Check for live wiring****No. MSV100****Locate metal such as a water standpipe or conduit**

1 Yr. Limited Warranty
An Garantie limitée
Año Garantía limitada



General Tools & Instruments



GeneralToolsNYC

GENERAL®**General Tools & Instruments**

80 White Street, New York, NY 10013-3567

TEL: 212. 431. 6100 TOLL FREE: 800. 697. 8665

sales@generaltools.com www.generaltools.com

MSV100SS Printed in USA 11/05/14