

## WRS SERIES - 1/6 HP, 1/3 HP, 4/10 HP DRAINOSAUR® & DRAINOSAUR JR.®

### APPLICATIONS

Impractical drainage areas, under sinks, laundry trays

### FEATURES

#### BASIN FEATURES

- 3.5 and 5 gallon size options
- Polypropylene, lightweight, corrosion-resistant
- Designed with O-rings for watertight seal
- Cover includes removable filter for easy cleaning
- Cover includes 1-1/2" FNPT (38 mm) discharge and intake opening, and 2" FNPT (5 cm) vent opening
- IAPMO listed
- Pre-assembled, ready to install

#### PUMP FEATURES

- 1/6, 1/3, and 4/10 hp options
- Multiple switch options
- cCSAus listed (pump only)



### SERIES SPECIFICATIONS

| HP   | Volts | Hz    | Amps |       | Watts | Performance (GPM @ Height in Feet) |     |     |     | Shut-Off (ft) | PSI |
|------|-------|-------|------|-------|-------|------------------------------------|-----|-----|-----|---------------|-----|
|      |       |       | FLA  | Start |       | 5'                                 | 10' | 15' | 20' |               |     |
| 1/6  | 115   | 60    | 5    | 6.4   | 380   | 15                                 | 12  | 8   | -   | 21.00         | 9.1 |
| 1/3  | 115   | 60    | 9    | 14.3  | 720   | 46                                 | 29  | 13  | -   | 18.00         | 7.8 |
| 1/3  | 230   | 50/60 | 4.5  | 6.3   | 720   | 46                                 | 29  | 13  | -   | 18.00         | 7.8 |
| 4/10 | 115   | 60    | 9    | 17    | 920   | 72                                 | 63  | 54  | 40  | 29.00         | 9.1 |

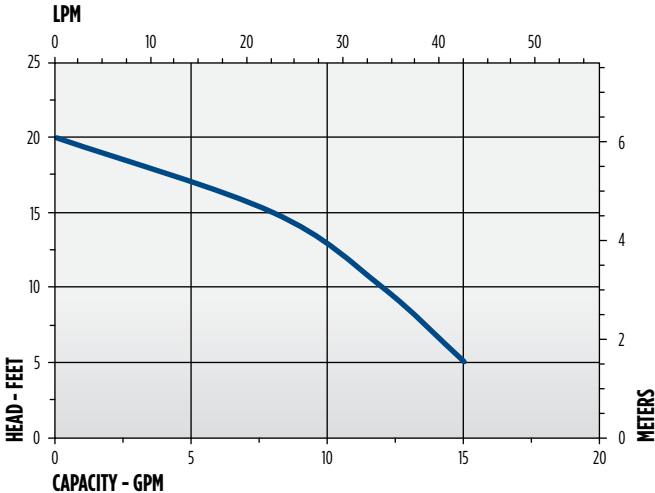
| Item No. | Model   | HP   | Volts | Tank Size  | Switch Type/Operation         | On Level                      | Off Level                   | Cord       | Weight               |
|----------|---------|------|-------|------------|-------------------------------|-------------------------------|-----------------------------|------------|----------------------|
| 505055   | WRS-5   | 1/6  | 115   | 5 Gallon   | Piggyback Diaphragm           | 6" - 9"<br>15.2 cm - 23 cm    | 1" - 4"<br>2.5 cm - 10 cm   | 10'<br>3 m | 19 lbs<br>8.62 Kg    |
| 506065   | WRSC-6  | 1/3  | 115   | 3.5 Gallon | Integral Diaphragm            | 4" - 7"<br>10.2 cm - 17.8 cm  | 1" - 3"<br>2.5 cm - 7.6 cm  | 10'<br>3 m | 24 lbs<br>10.89 Kg   |
| 506066   | WRSC-6  | 1/3  | 230   | 3.5 Gallon | Integral Diaphragm            | 4" - 7"<br>10.2 cm - 17.8 cm  | 1" - 3"<br>2.5 cm - 7.6 cm  | 10'<br>3 m | 17.75 lbs<br>8.05 Kg |
| 506055   | WRS-6   | 1/3  | 115   | 5 Gallon   | Integral Diaphragm            | 7" - 10"<br>17.8 cm - 25.4 cm | 1" - 4"<br>2.5 cm - 10.2 cm | 10'<br>3 m | 26 lbs<br>11.79 Kg   |
| 506056   | WRS-6   | 1/3  | 230   | 5 Gallon   | Integral Diaphragm            | 7" - 10"<br>17.8 cm - 25.4 cm | 1" - 4"<br>2.5 cm - 10.2 cm | 10'<br>3 m | 27 lbs<br>12.25 Kg   |
| 509268   | WRS-9EN | 4/10 | 115   | 5 Gallon   | Piggyback Vertical Mechanical | 7" - 10"<br>17.8 cm - 25.4 cm | 2" - 5"<br>5 cm - 12.7 cm   | 10'<br>3 m | 35 lbs<br>15.88 Kg   |

# SUMP PUMPS

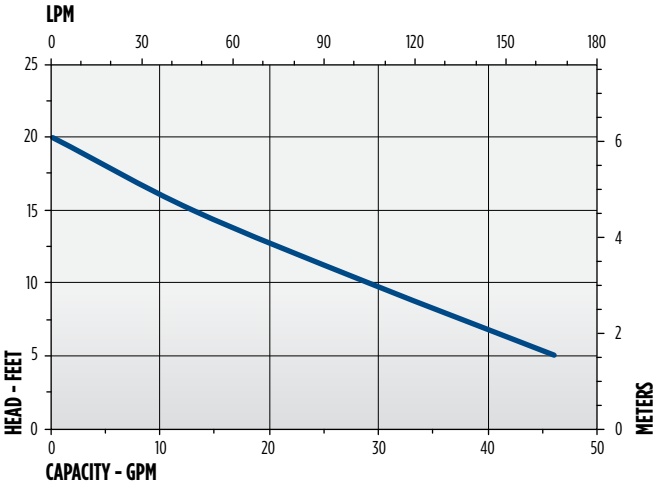
## WRS SERIES - 1/6 HP, 1/3 HP, 4/10 HP

### PERFORMANCE DATA

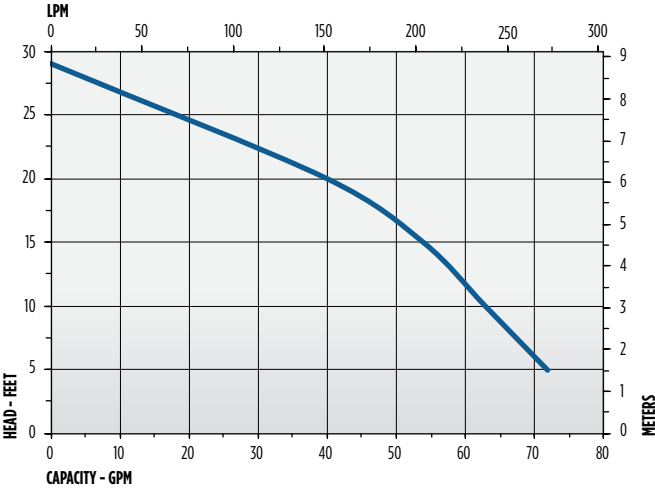
#### WRS-5



#### WRS-6 & WRSC-6

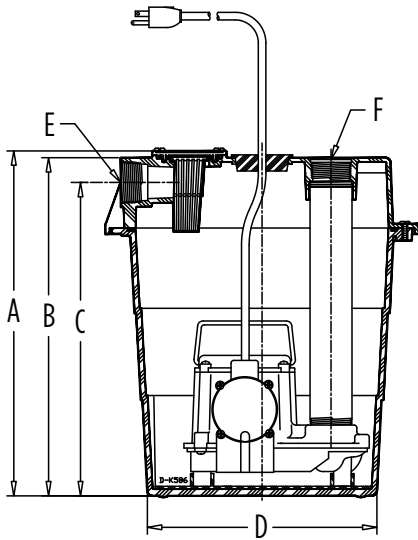


#### WRS-9EN

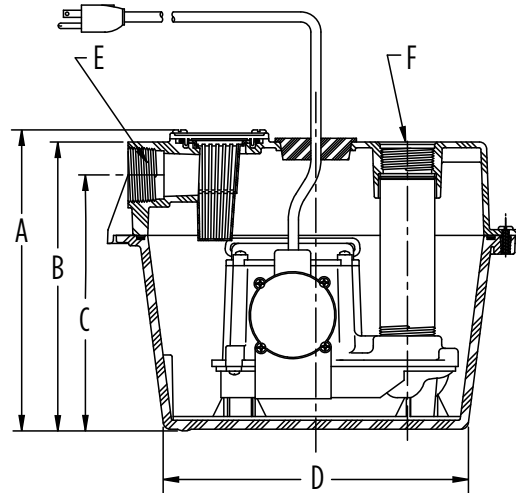


## WRS SERIES - 1/6 HP, 1/3 HP, 4/10 HP

### ENGINEERING DATA



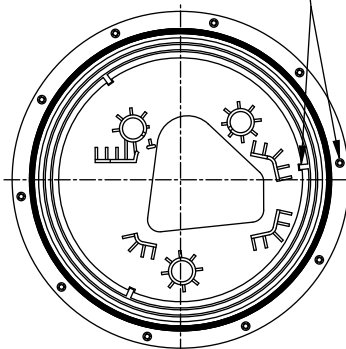
WRS



WRSC

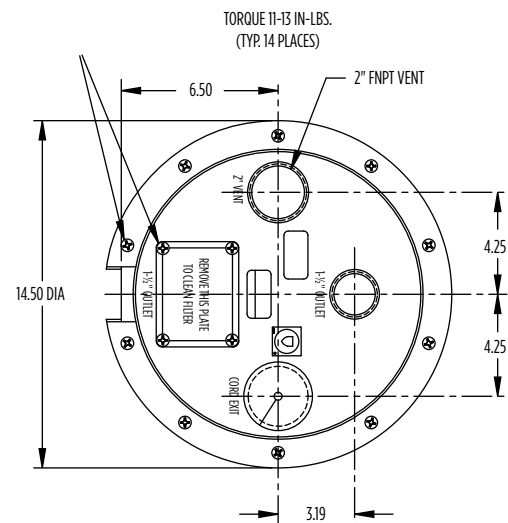
| Model   | A                  | B                  | C                  | D               | E                      | F                      |
|---------|--------------------|--------------------|--------------------|-----------------|------------------------|------------------------|
| WRS-5   | 16.17"<br>41.07 cm | 15.68"<br>39.83 cm | 14.75"<br>37.47 cm | 10.63"<br>27 cm | 1-1/2" FNPT<br>3.81 cm | 1-1/2" FNPT<br>3.81 cm |
| WRS-6   | 16.17"<br>41.07 cm | 15.68"<br>39.83 cm | 14.75"<br>37.47 cm | 10.63"<br>27 cm | 1-1/2" FNPT<br>3.81 cm | 1-1/2" FNPT<br>3.81 cm |
| WRS-9EN | 16.17"<br>41.07 cm | 15.68"<br>39.83 cm | 14.75"<br>37.47 cm | 10.63"<br>27 cm | 1-1/2" FNPT<br>3.81 cm | 1-1/2" FNPT<br>3.81 cm |
| WRSC-6  | 10.55"<br>26.8 cm  | 10.06"<br>25.55 cm | 8.9"<br>22.61 cm   | 10.63"<br>27 cm | 1-1/2" FNPT<br>3.81 cm | 1-1/2" FNPT<br>3.81 cm |

### PLATE ALIGNMENT DIAGRAM



MOUNTING HOLE LINES UP WITH A LOCATING RIB ON THE INSIDE OF THE BASIN.

POSITION THE PUMP LOCATING PLATE INSIDE THE BASIN AS SHOWN. THIS WILL ALLOW PROPER ALIGNMENT OF MOUNTING HOLES WHEN INSTALLING THE BASIN COVER. ANY OTHER POSITION WILL NOT ALLOW ASSEMBLY OF COVER.



# SUMP PUMPS

## WRS SERIES - 1/6 HP, 1/3 HP, 4/10 HP

### TYPICAL INSTALLATION

