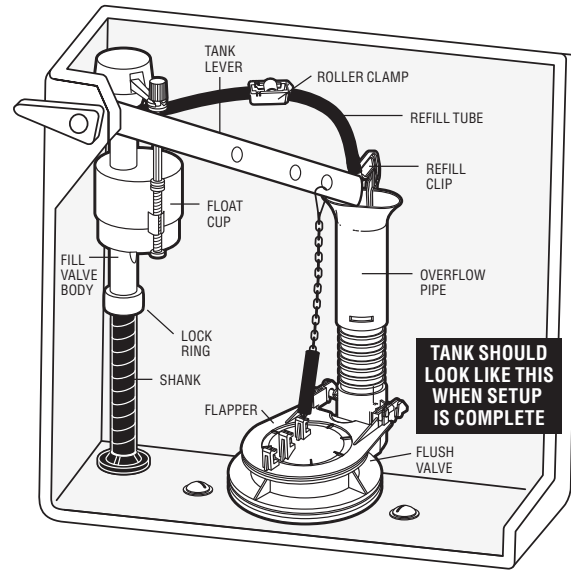


FLUIDMASTER® 540AKR COMPLETE 3 INCH FLUSH VALVE & FLAPPER REPAIR KIT INSTALLATION INSTRUCTIONS

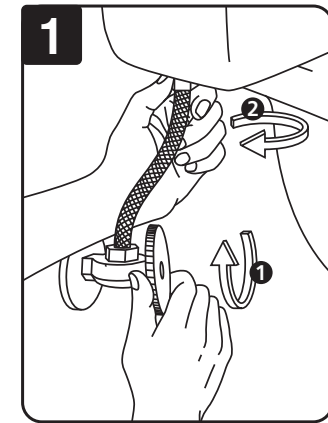
WARNING

DO NOT USE IN-TANK DROP-IN TOILET BOWL CLEANERS CONTAINING BLEACH OR CHLORINE. Use of such products will: (1) **RESULT IN DAMAGE** to tank components and **MAY CAUSE FLOODING** and **PROPERTY DAMAGE** and (2) **VOID FLUIDMASTER WARRANTY.** Fluidmaster Flush 'n Sparkle Toilet Bowl Cleaning System is recommended for those choosing to use in-tank bowl cleaners and **WILL NOT VOID** the **FLUIDMASTER WARRANTY** because it will not damage the components. **DO NOT** overtighten nuts or tank/bowl may crack. Always use quality Fluidmaster parts when installing or repairing. Fluidmaster will not be responsible or liable for use of non-Fluidmaster parts during installation or repair.

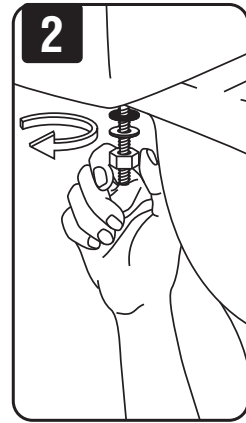
DO NOT USE



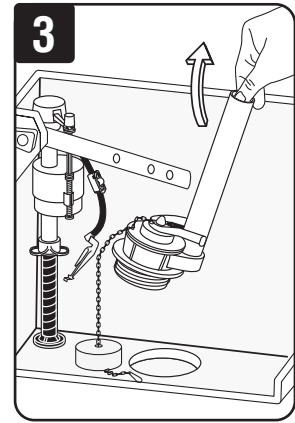
PREPARATION



Turn off water supply (1). Flush toilet and remove excess water from tank with sponge. (2) Remove water supply line from bottom of toilet fill valve.

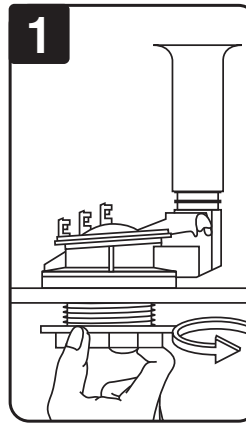


Unbolt tank from bowl, then lift the tank. Remove washers, nuts and bolts.

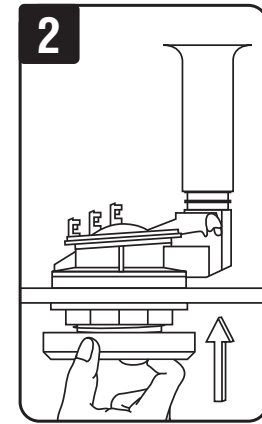


Remove rubber washer and locknut from flush valve threads. Remove old flush valve.

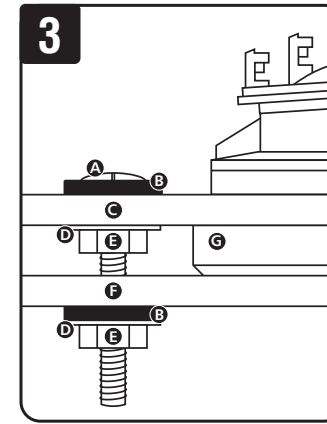
INSTALLATION



Remove tank to bowl gasket and nut from bottom of threads of new flush valve before installing flush valve in tank. Position the overflow pipe toward the back of the tank but not over the bolt holes. Thread large nut onto the threads. Hand tighten only. **DO NOT OVERTIGHTEN** or tank may crack.



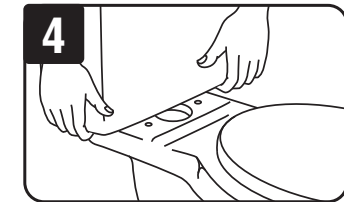
Slide new tank to bowl gasket over nut with narrow side facing down. Gasket should cover the nut completely.



Correct order of bolts, washers and nuts:

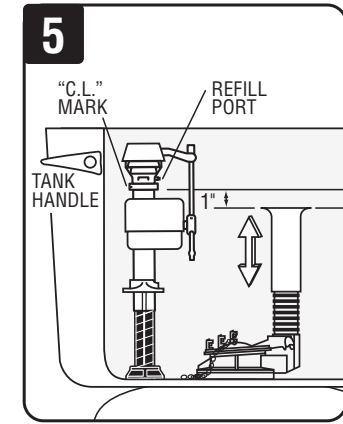
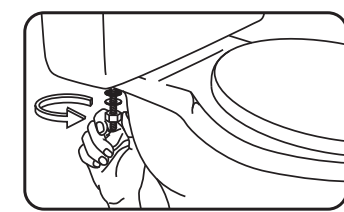
- A) Bolt Head
- B) Rubber Washer
- C) Toilet Tank
- D) Metal Washer*
- E) Metal Hex Nut*
- F) Toilet Bowl
- G) Tank to Bowl Gasket

NOTE: Place metal washers and hex nuts onto brass bolts before installing tank on bowl.



Optional: Before replacing the tank on the bowl, place metal washer and hex nut onto bolt under tank and hand tighten until snug hex nut.

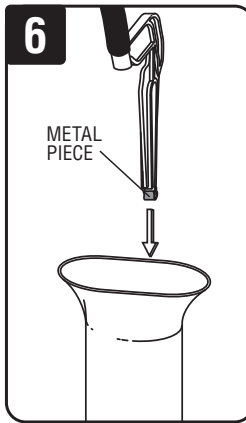
Then place tank back on the bowl so that tank to bowl gasket fits evenly. Level tank. Under the bowl attach rubber washer, metal washer and metal hex nut. Tighten the hex nuts under the bowl evenly until the tank is stable and doesn't rock. **DO NOT OVERTIGHTEN** or the tank or bowl could break.



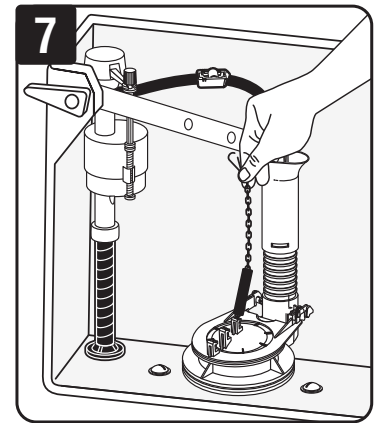
When installed the top of the overflow pipe of the flush valve must be at least 1" below the C.L. mark of the fill valve.

NOTE: Top of the overflow pipe should be below the handle/lever hole of the toilet tank and above the water level of the tank when filled.

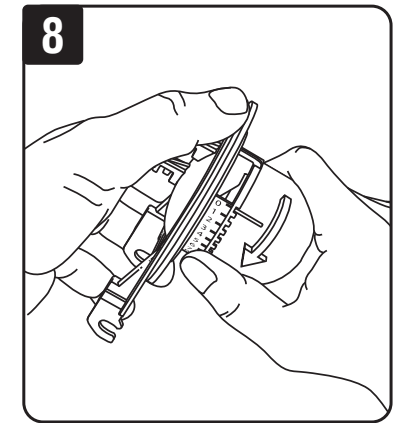
To adjust the height of the overflow pipe, pull up or push down.



The refill clip must be attached to the top of the overflow pipe. Place metal piece of refill clip against the outside edge of the pipe then press against the overflow pipe. When the inside prong clears the top edge of the pipe, push the clip down. Attach refill hose to nipple of refill clip and other end to nipple of the fill valve. You may need to trim the rubber hose.

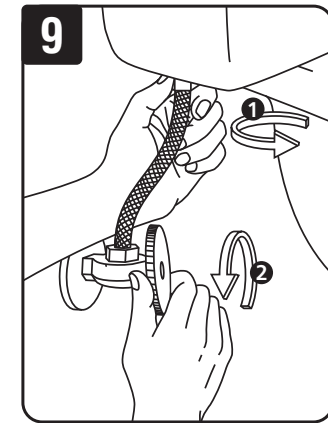


Connect the flapper chain to the tank lever. Allow for 1/2" of slack in the chain when flapper is closed.



Remove flapper from flush valve by pulling up frame of flapper one side at a time.

The flapper is adjustable from 0 to 10. 0 is a quick flush, 10 is a long flush, allowing you to adjust the flush performance to match your toilet's original setting. The tab on the white plastic dome can be set to any of the numbered notches. Pull on the dome slightly and turn until the tab is in the desired setting.



Reconnect water supply line to the bottom of the fill valve. Hand tighten plastic nut of supply line to fill valve shank. **DO NOT OVER TIGHTEN.** (1). Turn on the water supply and check for any leaking (2). If no leaks appear perform test flush. If leak appears tighten nut just enough to stop leak.

TROUBLESHOOTING

MY FLAPPER CLOSSES QUICKLY & I DON'T GET A COMPLETE FLUSH

- Check the flapper chain. If it looks loose, tighten it; if it looks straight, loosen it a bit and try flush again. Chain should have 1/2" of slack.
- Adjust the flapper setting to a higher number (See "Installation" step 8).

MY FLAPPER STAYS OPEN TOO LONG & I GET A DOUBLE-FLUSH

- Adjust the flapper setting to a lower number (See "Installation" step 8).

*NOTES:

- Installation Instruction #3: This Is Optional

- D) Metal Washer*
- E) Metal Hex Nut*

Not all toilets will fit together when metal washer and metal hex nut are used

Contact Fluidmaster for troubleshooting help or Ask Bob on www.fluidmaster.com

Fluidmaster Inc.
30800 Rancho Viejo Road
San Juan Capistrano, CA 92675
www.fluidmaster.com
800-631-2011