

APPLICATION:

JOB NAME:

QUANTITY: ITEM NO.

PRODUCT NAME:

DIPPERWELL FAUCET ASSEMBLY

SPECIAL CONFIGURATION
 CHECK BASE MODEL AND OPTIONS

MODEL:

3042

OPTIONS OR MODIFICATIONS:

OTHER _____

FEATURES

- * STAINLESS STEEL SEAT

RECOMMENDED HOT WATER SETTINGS

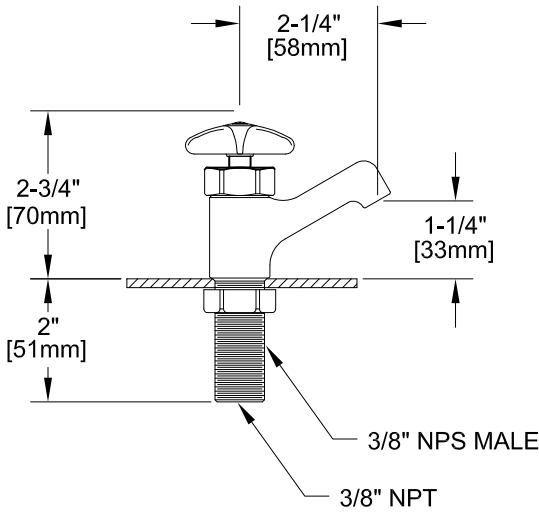
- * 110°F AT 80 PSI

SYSTEM LIMITS

- * TEMP: 40°F MIN. TO 160°F MAX.
- * PRESSURE: 100 PSI MAX. STATIC

SHIPPING WEIGHT

- * 1.0 LBS



ROUGH-IN:

