



WHY FISHER.

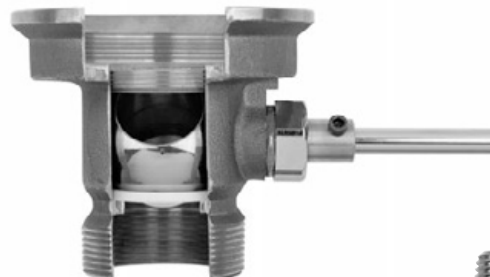
Pre-Rinse Spray Valves

- Lowest Energy User – 1.15GPM @ 60PSI.
- Cleans Faster – Test Proven.
- Engineered to Last – No 'O' rings to leak.
- Interchangeable – Fits ALL Brands.



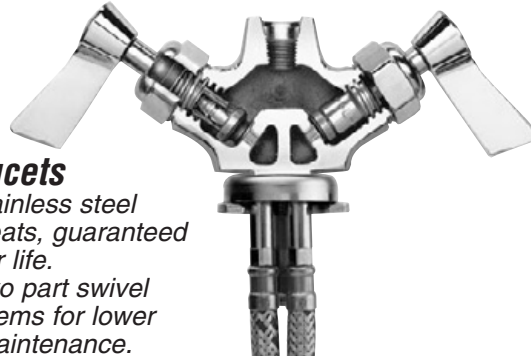
DrainKing™

- Stainless steel only where it counts means value.
- Two PTFE® seals – instead of one – means no leaks.
- Guaranteed for three years.



Faucets

- Stainless steel seats, guaranteed for life.
- Two part swivel stems for lower maintenance.



Pre-Rinse Hoses

- 3-ply "aircraft" hydraulic hose.
- Lasts three times longer.
- Fits ALL brands of Pre-Rinse Units.



OVER SIXTY YEARS OF QUALITY

Since 1936 Fisher Manufacturing Company has manufactured heavy-duty, high quality plumbing products and hardware specialties for the foodservice industry.

For three generations, the Fisher family has adhered to a strict dedication of consistent performance, product dependability and overall value. When you install Fisher products...you install the best.

Our hardware is manufactured with the standardization of internal mechanisms. All chrome plating is triple plated copper, nickel and chrome for durability.

Every piece of equipment we make is rigorously tested in both our modern in-house testing center and in actual field

situations under extreme conditions. Every detail is thoroughly checked. Before we make our products available to you, they pass each and every test. You get proven performance. Guaranteed.

Limited One Year Warranty

Fisher Manufacturing Company warrants its products and parts thereof (except as noted below) against defects in materials or workmanship for a period of one year after the date of original purchase. During this period Fisher Manufacturing Company will replace a defective product or part without charge to you, provided that the entire product is delivered to

Fisher Manufacturing Company. All transportation and insurance charges for shipping the product to and from Fisher Manufacturing Company must be borne by you. Charges for transportation and insurance may, at the option of Fisher Manufacturing Company, be refunded depending upon our investigation of the warranty claim. This warranty does not cover external finish (except at date of original purchase) or labor costs not specifically authorized by Fisher Manufacturing Company.

A full and complete copy of our One Year Limited Warranty is available on request.

Fisher Manufacturing Company

P.O. Box 60 · Tulare, CA 93275-0060
1900 "O" Street · Tulare, CA 93274-6850
Toll Free: 800/421-6162
Fax: 800/8-FAUCET (800/832-8238)
www.fisher-mfg.com



ANSI/NSF 61, Sec. 9 Certified

TABLE OF CONTENTS

GLASS FILLERS	3-7
Product Cut Away (#10200)	3
PRE-RINSE UNITS	9-23
Product Cut Away (Spray Valve; Hose)	10-11
Spring Type Pre-Rinse Units	12-15
Swivel Type Pre-Rinse Units	16-19
Ultra Flex Type Pre-Rinse Units	20-23
POT FILLERS	24-27
UTILITY SPRAYS	28-31
HOSE ASSEMBLIES	32-33
Q&A ABOUT BACKFLOW PREVENTION	35-38
REEL RINSES	39-45
BACKFLOW PREVENTION	46
FAUCETS — 1/2"	47-64
Product Cut Away (#13064)	47
Swing Spout Faucets	48-51
Gooseneck Faucets	52-55
Lavatory Faucets	56-57
Pot and Kettle Fillers	60-61
Service Sink Faucets	62-63
Dipperwell/Inlet Fittings	64
FAUCETS — 3/4"	65-75
Product Cut Away (3/4" Valve)	65
Swing Spout Faucets	66-67
FillKing Water Service Station	68-69
Pot and Kettle Fillers	70-75
WASTE VALVES/SOCKETS	77-80
Product Cut Away (DrainKing™)	77
DrainKing™ Waste Valves	78
Waste Sockets	79-80
FOOT VALVES	81-83
Product Cut Away (Foot Valve)	81
COMPONENTS	84-95
REPAIR KITS/PARTS	96-108
POINT-OF-PURCHASE ITEMS	109-112
INDEX	113-115

WASTE VALVES/SOCKETS
BACKFLOW PREVENTION
GLASS FILLERS

FOOT/KNEE VALVES
REEL RINSES
PRE-RINSE UNITS

COMPONENTS
FAUCETS — 1/2"
POT FILLERS

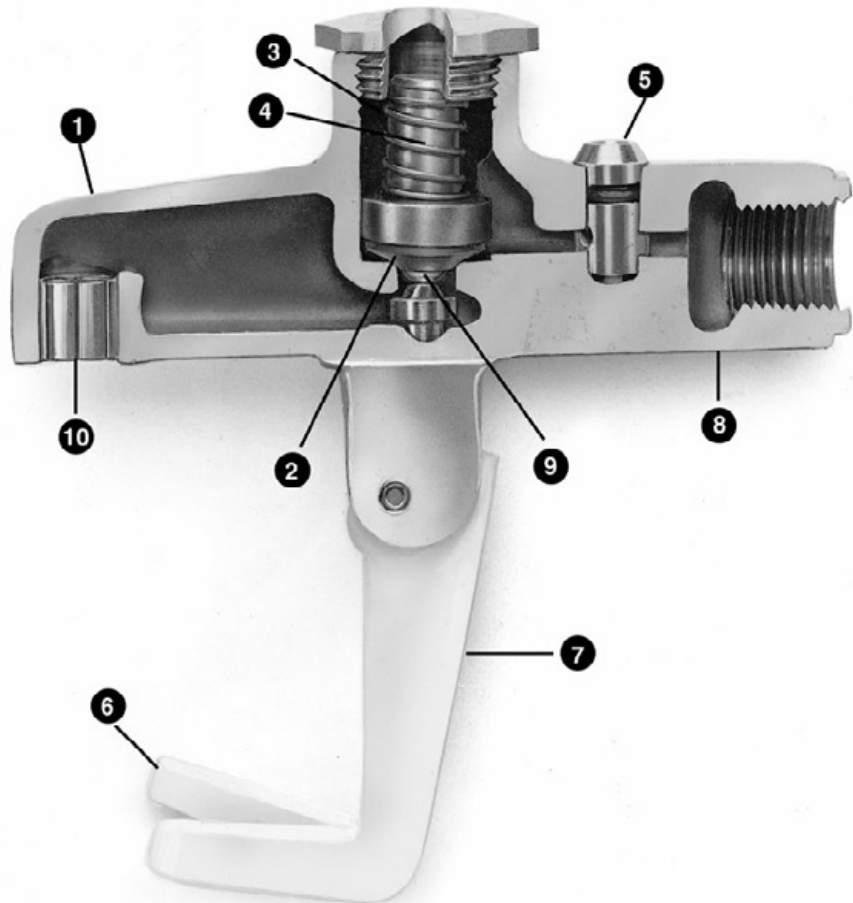
REPAIR KITS/PARTS
FAUCETS — 3/4"
UTILITY SPRAYS

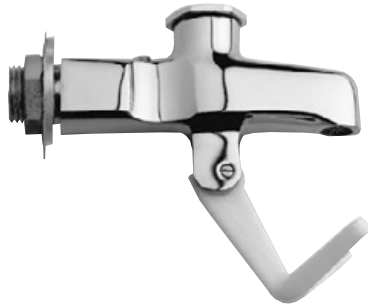
FISHER

GLASS FILLERS

Fisher glass fillers feature high quality construction, great looks, and simplicity of design for long service life. They are available in your choice of models to meet virtually any water service installation and need.

- ❶ Triple chrome plated.
- ❷ Standardized Internal Gaskets/Washer – easily replaceable.
- ❸ Replaceable Internal Parts
- ❹ Simple, Balanced Mechanism – fewer internal parts for long service life.
- ❺ Tamperproof Volume Control – perfect for self serve stations, avoids water waste, “overfilling” of glasses.
- ❻ Handles Both Paper & Glass Cups.
- ❼ One Piece Molded Delrin™ Prong – eliminates rubber bumpers, won’t mar or break glasses.
- ❽ Easily Replaceable Filler Head – interchangeable with all major brands.
- ❾ Stainless Steel Self Locking Seat Disk Screws.
- ❿ Stainless Steel Stream Straightener.
- ⓫ ANSI/NSF 61, Section 9 Certified.

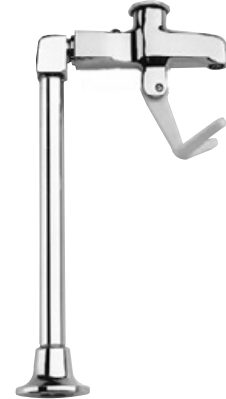




#1013 – Glass Filler: 1/2”M x 1/4”F w/flange



#1007 – Glass Filler: 8” pedestal, 3/8”M
 #1008 – Glass Filler: 10” pedestal, 3/8”M
 #12513 – Glass Filler: 12” pedestal, 3/8”M
 #12726 – Glass Filler: 14” pedestal, 3/8”M



#1010 – Glass Filler: 8” pedestal, 3/8”F
 #1011 – Glass Filler: 8” pedestal, 1/2”F



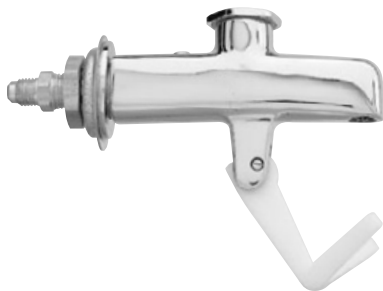
#10200 – Glass Filler Head: 3/8”F w/ 3/8” close nipple, flange, locking compound (Replacement head for Fisher and T&S Glass Fillers – replaces Fisher #1000, #1001, and #1005)



#1009 – Glass/Pitcher Filler: 8” pedestal, 3/8”M



#1006 – Double Head Glass Filler: 8” pedestal, 3/8”M



#9033 – Glass Filler 1/2”M with 1/4” flare fitting with flange



#1400 – Glass Filler w/Sink Assembly: 10” pedestal (8” clearance from grill to outlet)

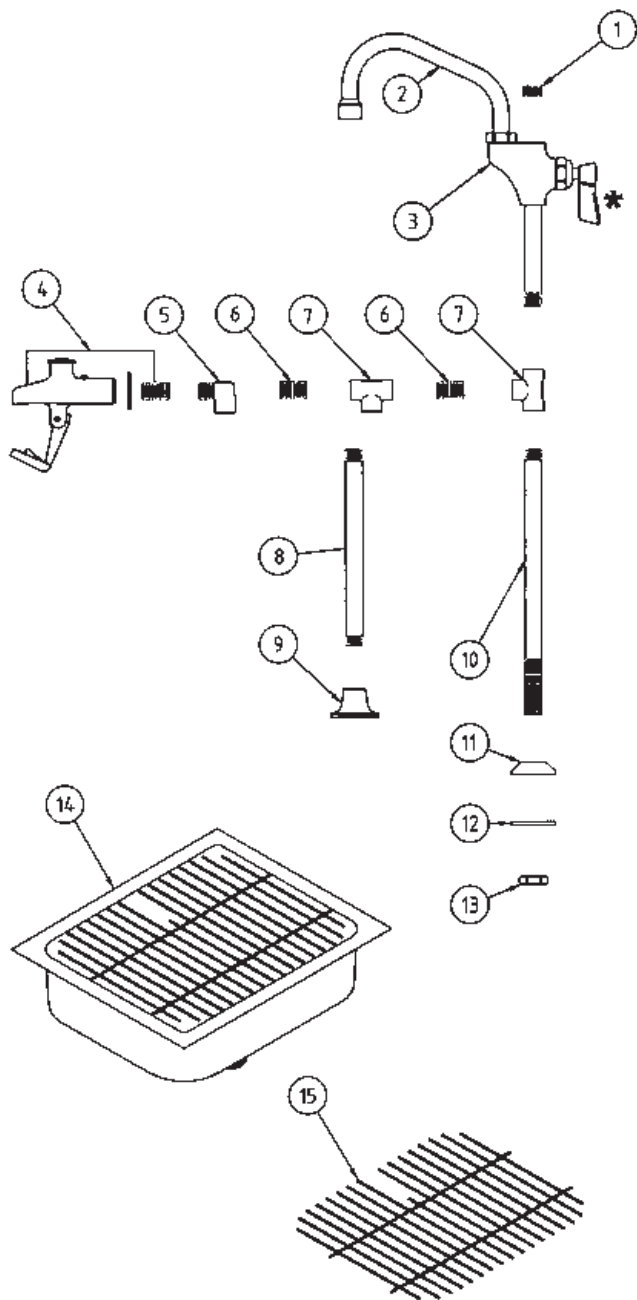


#1403 – SS Sink Assembly: w/ drain
 #1400-0000 – SS Sink Assembly: w/ drain and pedestal glass filler shank hole

FISHER

Glass Fillers

GLASS FILLERS



- 1 #1000-3309 – Plug 3/8" M PC
- 2 #3960 – 6" Swing Spout PC
Other length spouts available (page 93, 103)
- 3 #2901-0001 – Add-On Body w/ 2-1/2" Riser (page 91)
Stem RH Swivel Repair Kit #3000-0000 (page 100)
- 4 #10200 – Glass Filler Assembly includes:
Close Nipple, Flange (not shown) & Locking Compound (not shown)
Glass Filler Repair Kit #11347 (page 98)
- 5 #2400-3300 – Street Elbow 3/8" PC (page 107)
- 6 #1000-3418 – Close Nipple 3/8" RC (page 107)
- 7 #1000-3303 – Tee 3/8" F PC (page 107)
- 8 #1001-4307 – Riser PR 8" PC
Other risers available (page 90)
- 9 #1000-2304 – Base SD RIG 3/8" F PC
#1000-2305 – Base SD RIG 1/2" F PC
- 10 #1000-4305 – Riser GF 8" PC
#1116-4300 – Riser GF 10" PC
#1116-4301 – Riser GF 12" PC
#9106-4300 – Riser GF 14" PC
- 11 #1000-3321 – Base GF PC
- 12 #1000-5012 – Washer .702" X 1-3/4"
- 13 #3042-3004 – Lock Nut 3/8"
- 14 #1403 – S.S. Sink Assembly w/ Drain
#1400-0000 – S.S. Sink Assembly w/ Drain
and Pedestal Glass Filler Shank Hole
- 15 #1400-8503 – Grill only

* Optional handles available (page 92, 102)
Vandal Resistant Kit available (page 93)

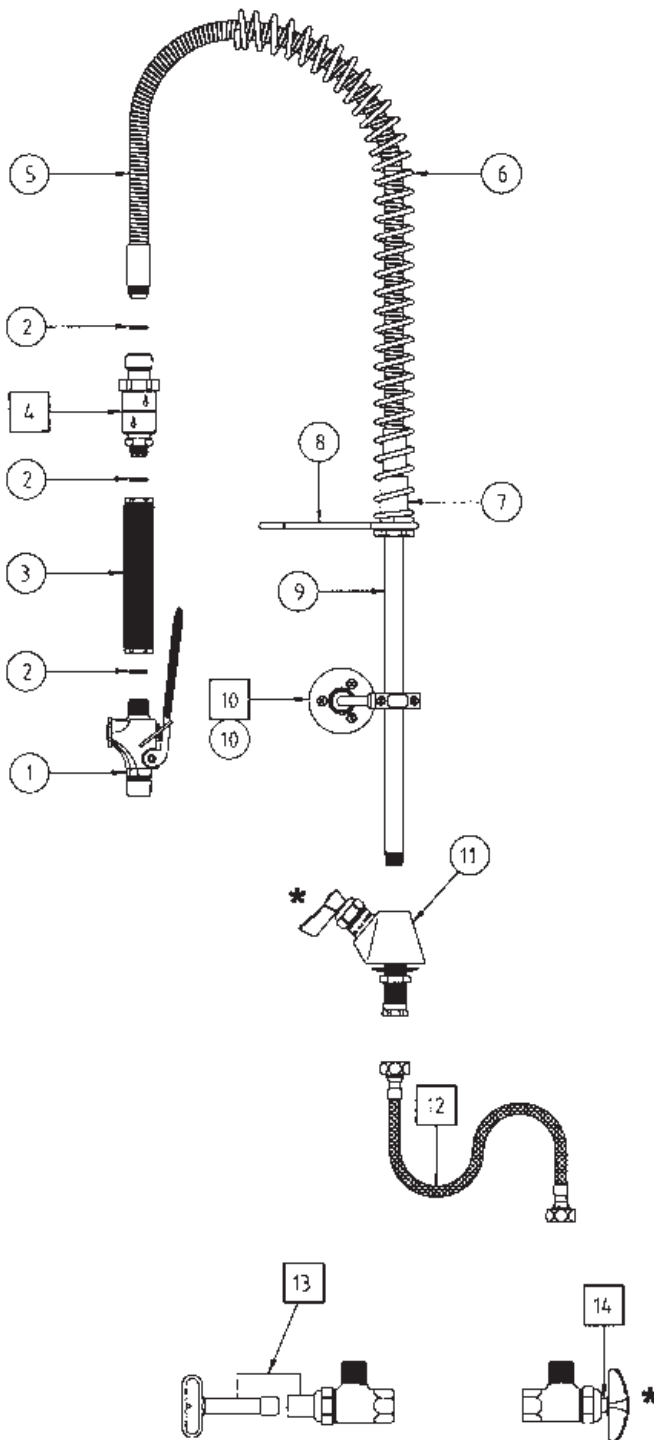


#1117-WB – Vertical Banquet Room Glass Filler:
single deck control valve, wall bracket
#1117 – Vertical Banquet Room Glass Filler:
single deck control valve

FISHER

Banquet Filler – 1/2"

BANQUET FILLER – 1/2"



- 1** #10812 – 5.0 GPM Glass Filler Valve (page 89)
Repair Kit #11355 (page 98)
- 2** #2922-5000 – Washer (page 103)
- 3** #2913 – Insulated Handle (page 88)
- 4** #2932-0002 – Back Flow Preventer (page 46)
- 5** #2914-FG – 36" Foodgrade Hose
Other length hoses available (page 87)
- 6** #2924-6000 – Gooseneck Spring (page 90)
- 7** #2926-3300 – Pipe to Hose Adapter (page 90)
- 8** #2925-6300 – Hose Hook (page 90)
- 9** #2927-4300 – 21" Riser
Other length risers available (page 90)
- 10** **10** #2902-12 – Wall Bracket Adjustable Length (page 91)
- 11** #12890 – Single Deck Control Valve Rigid, Inlets 1/2" M X 2" LG
(page 84)
Stem LH Swivel Repair Kit #3000-0001 (page 100)
- 12** #10022 – Supply Line 1/2" F X 1/2" F X 36" LG
- 13** #1792 – Angle Stop w/ Key 1/2" M X 1/2" F (page 86)
- 14** #1790-1 – Angle Stop w/ Cross Handle 1/2" M X 1/2" F (page 86)

Standard Components

Optional Components

* Optional handles available (page 92, 102)
Vandal Resistant Kit available (page 93)

FISHER

PRE-RINSE/ UTILITY SPRAY UNITS/POT FILLERS

Fisher offers you a choice:

Spring Style Pre-Rinse

- ① Standard in the industry.
- ② Competitively priced. Swivel Style Pre-Rinse.



Swivel Style Pre-Rinse

- ① Dedicated to Pre-Rinsing Operations.
- ② Pre-Rinse design always maintains an air gap between spray head and flood level of sink.
- ③ Simple "straight path" design reduces hose breakage.



Ultra Flex Style Pre-Rinse

- ① Dedicated to Pre-Rinsing Operations.
- ② Ultra Flex design always maintains an air gap between spray head and flood level of sink.
- ③ Swivel joints allow for ease of operation and reduced hose breakage.



Pre-Rinse Critical Measurements

O/A Height from base of faucet = 36"

Distance from bottom of Spray Valve to bottom of faucet:

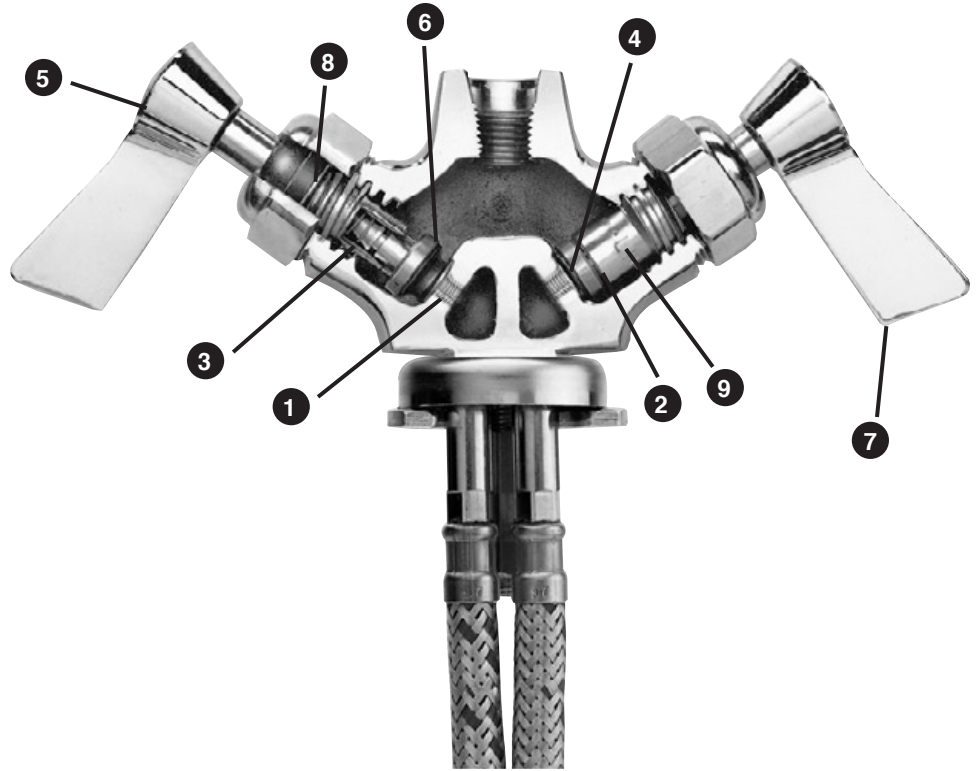
Spring Style = 7"

Swivel Style = 7"

Ultra Flex Style = 5"

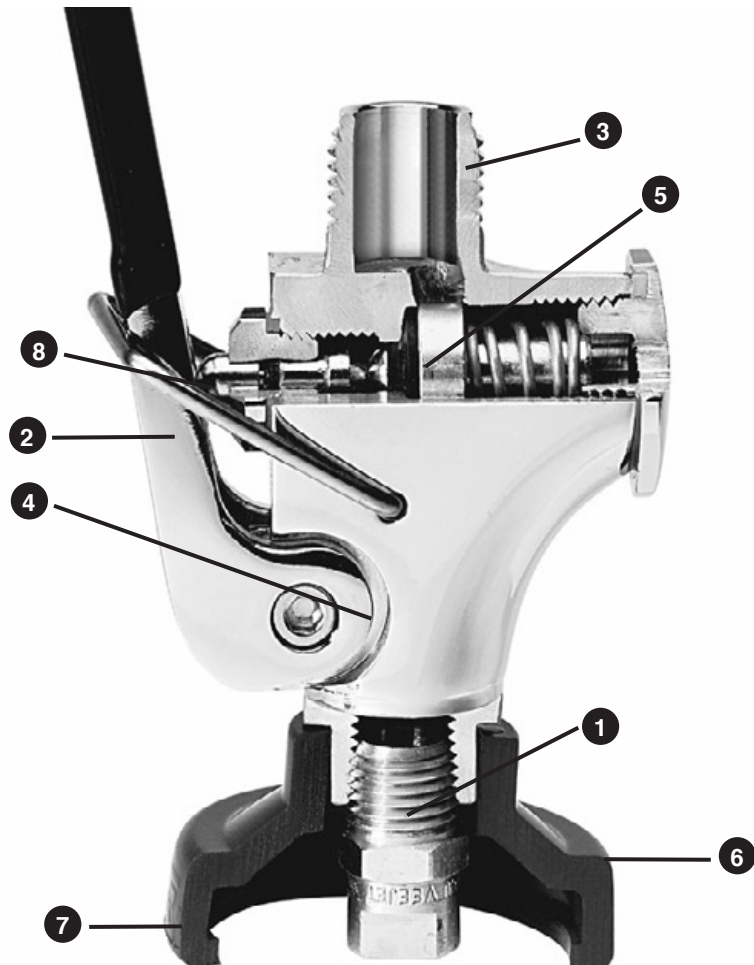
Faucets Feature:

- 1 **Stainless Steel Seats Guaranteed for Life.**
- 2 **Two Part Swivel Stems for Lower Maintenance**
- 3 Internal Spring-Loaded Poppet-Type Check Valves — prevent cross-flow of hot and cold water on all valves meeting that requirement.
- 4 Stainless Steel “Self-Locking” Seat Disk Screws.
- 5 International Color Coded Handle Identification Buttons — hot (red) and cold (blue) for safety.
- 6 Industry Standard Seats and Gaskets — easily obtainable; no need to order special parts.
- 7 Choice of Handles — lever, cross, wrist.
- 8 “Easy Turn” Stem — exceeds Americans with Disabilities Act (ADA) regulations.
- 9 Clearly Marked Right and Left Stems.



Pre-Rinse Spray Valves

- 1 **1.15GPM Energy Efficient Nozzle — No O-Rings to Leak.** Threads into valve body.
- 2 **High-Strength Bronze Alloy Handle — NOT Plastic — Means Full “ON”.** Insulated for safety.
- 3 **Fits ALL Brands.**
- 4 **Ultra-Spray™**— advanced, high efficiency design...1.15 GPM @ 60 PSI. Reduced flow rate is not for pot filling, or use as a utility spray, but it’s ideal for efficient pre-rinsing of dishes, trays, etc.
- 5 Standardized Internal Gaskets — easy to repair.
- 6 Standard Protective Full-Surrounding Dish Guard Bumper — eliminates leaking.
- 7 Optional Snap-In Cleaning Brush.
- 8 Built-In Spray Handle Clip — won’t fall off.



Pre-Rinse Hose

1 Three Ply "Aircraft" Hydraulic Inner Hose — lasts three time longer.

Hose is rated at 250 PSI, withstands continuous working temperature of 140°F. Resists cracking.

2 Fits ALL Brands of Pre-Rinse Units.

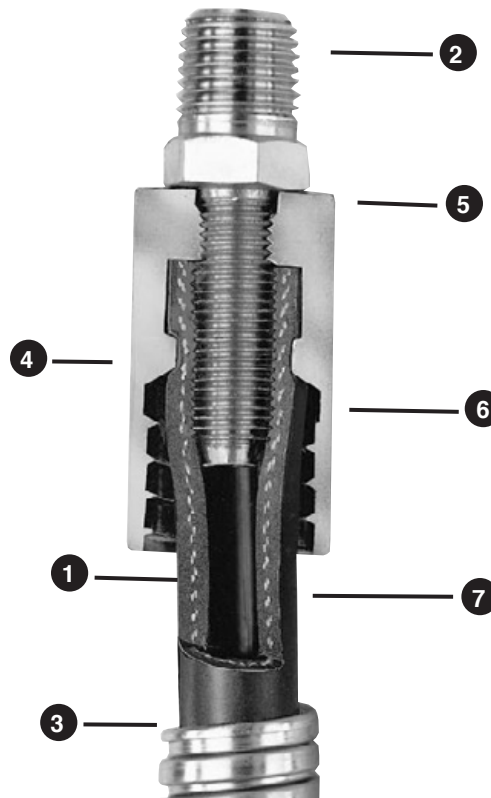
3 Stainless Steel Armor Jacket — for longer service life. Relieves tension and abrasion on inner hose.

4 Stainless Steel Collars — for extra durability.

5 Easily Repairable in the Field with Simple Hand Tools.

6 Extended Length Threaded Insert — securely seals inner hose.

7 Food Grade Hose Available.



EZ Install Adapter

Simplifies Installation. Because there's NO need to remove sinks from the wall.

For use with 8" Adjustable Wall Units and 8" Backsplash Mount Units (p 14, 18, 22, 26, and 30).



STEP 1 - Do NOT remove sink from wall. Locate connecting nuts.



STEP 2 - Remove old control valve by unthreading nut.



STEP 3 - Place new washer into fitting. Thread in FISHER EZ-Install Adapter.



STEP 4 - Thread new FISHER Control Body on to EZ-Install Adapters, and tighten. (Discard eccentrics/concentrics supplied with new units.)

PRE-RINSE UNITS



#2010-WB – Pre-Rinse Unit: single deck control valve, Ultra Spray, wall bracket
#2010 – Pre-Rinse Unit: single deck control valve, Ultra Spray



#2110-WB – Pre-Rinse Unit: single deck dual control valve, Ultra Spray, wall bracket
#2110 – Pre-Rinse Unit: single deck dual control valve, Ultra Spray



#2310-WB – Pre-Rinse Unit: 8" c/c deck control valve, Ultra Spray, wall bracket
#2310 – Pre-Rinse Unit: 8" c/c deck control valve, Ultra Spray

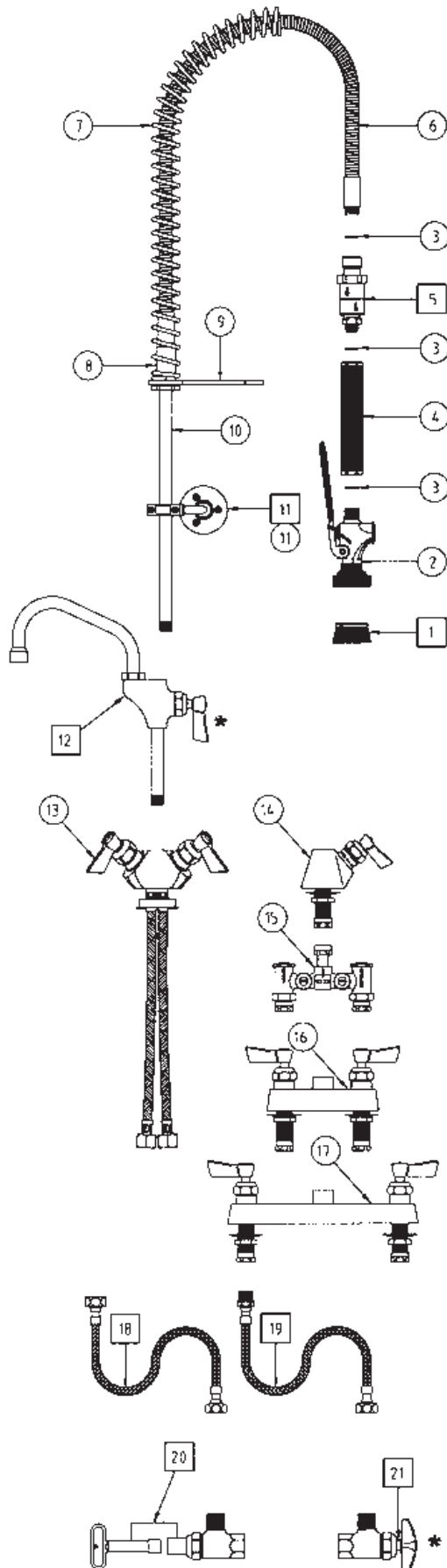


#2510-WB – Pre-Rinse Unit: 4" c/c deck control valve, Ultra Spray, wall bracket
#2510 – Pre-Rinse Unit: 4" c/c deck control valve, Ultra Spray

FISHER MANUFACTURING CO. ■ TOLL FREE: 800/421-6162 ■ FAX: 800/832-8238

FISHER

Pre-Rinse, Spring Style – Deck Mount



- 1** #2949-9001 – Brush (page 89)
- 2** #2949 – 1.15 GPM Spray Valve (page 89)
Repair Kit #11355 (page 99)
- 3** #2922-5000 – Washer (page 103)
- 4** #2913 – Insulated Handle (page 88)
- 5** #2932-0002 – Back Flow Preventer (page 46)
- 6** #2914 – 36" Hose
Other length hoses available (page 87)
- 7** #2924-6000 – Gooseneck Spring (page 90)
- 8** #2926-3300 – Pipe to Hose Adapter (page 90)
- 9** #2925-6300 – Hose Hook (page 90)
- 10** #2927-4300 – 21" Riser
Other length risers available (page 90)
- 11** #2902-12 – Wall Bracket Adjustable Length (page 91)
- 12** #2901 – Add-On Body w/ 6" Swing Spout #3960 (page 91, 93, 103)
#2901-8 – Add-On Body w/ 8" Swing Spout #3961
#2901-10 – Add-On Body w/ 10" Swing Spout #3962
#2901-12 – Add-On Body w/ 12" Swing Spout #3963
#2901-14 – Add-On Body w/ 14" Swing Spout #3964
#2901-16 – Add-On Body w/ 16" Swing Spout #3967
Stem RH Swivel Repair Kit #3000-0000 (page 100)
- 13** #13080 – Single Deck Dual Control Valve Rigid, Inlets 1/2" F X 14" LG
(page 84; replacement supply lines and mounting kit page 97)
Hot Stem RH Check Repair Kit #2000-0004 (page 100)
Cold Stem LH Check Repair Kit #2000-0005 (page 100)
- 14** #12890 – Single Deck Control Valve Rigid, Inlet 1/2" M X 2" LG (page 84)
Stem LH Swivel Repair Kit #3000-0001 (page 100; replacement supply lines and mounting kit page 97)
- 15** #2970-3 – Temperature Control Valve Rigid, Inlets 1/2" M Adjustable Hot & Cold Flow (page 86,96)
- 16** #2500-CV – 4" Deck Control Valve Rigid, Inlets 1/2" M X 2" LG (page 84)
Hot Stem RH Check Repair Kit #2000-0004 (page 100)
Cold Stem LH Check Repair Kit #2000-0005 (page 100)
- 17** #2300-CV – 8" Deck Control Valve Rigid, Inlets 1/2" M X 2" LG (page 84)
Hot Stem RH Check Repair Kit #2000-0004 (page 100)
Cold Stem LH Check Repair Kit #2000-0005 (page 100)
- 18** #10022 – Supply Line 1/2" F X 1/2" F X 36" LG
- 19** #10006 – Supply Line 1/2" M X 1/2" F X 36" LG
- 20** #1792 – Angle Stop w/ Key 1/2" M X 1/2" F (page 86)
- 21** #1790-1 – Angle Stop w/ Cross Handle 1/2" M X 1/2" F (page 86)

Standard Components

Optional Components

* Optional handles available (page 92, 102)
Vandal Resistant Kit available (page 93)

PRE-RINSE UNITS

FISHER Pre-Rinse, Spring Style – Wall/Backsplash Mount

PRE-RINSE UNITS



#2210-WB – Pre-Rinse Unit: 8" adj. wall control valve, Ultra Spray, wall bracket
#2210 – Pre-Rinse Unit: 8" adj. wall control valve, Ultra Spray



#13390 – Pre-Rinse Unit: 8" c/c backsplash control valve, Ultra Spray, wall bracket
#13366 – Pre-Rinse Unit: 8" c/c backsplash control valve, Ultra Spray



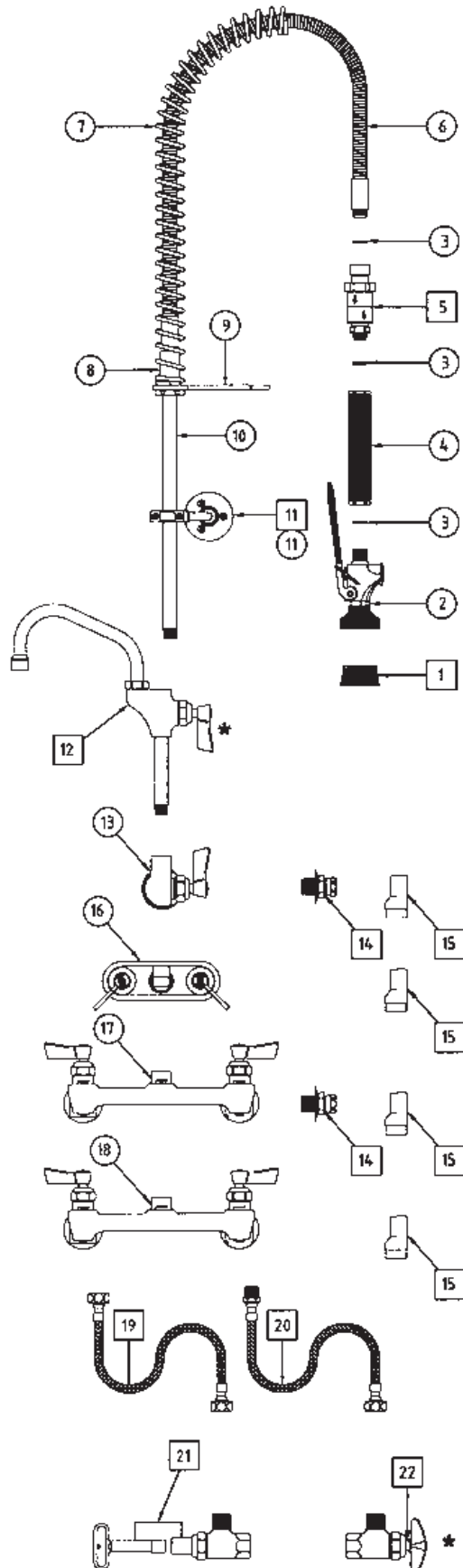
#2610-WB – Pre-Rinse Unit: 4" c/c backsplash control valve, Ultra Spray, wall bracket
#2610 – Pre-Rinse Unit: 4" c/c backsplash control valve, Ultra Spray



#2710-WB – Pre-Rinse Unit: single wall control valve, Ultra Spray, wall bracket
#2710 – Pre-Rinse Unit: single wall control valve, Ultra Spray

FISHER MANUFACTURING CO. ■ TOLL FREE: 800/421-6162 ■ FAX: 800/832-8238

FISHER Pre-Rinse, Spring Style – Wall/Backsplash Mount



- 1** #2949-9001 – Brush (page 89)
- 2** #2949 – 1.15 GPM Spray Valve (page 89)
Repair Kit #11355 (page 99)
- 3** #2922-5000 – Washer (page 103)
- 4** #2913 – Insulated Handle (page 88)
- 5** #2932-0002 – Back Flow Preventer (page 46)
- 6** #2914 – 36" Hose
Other length hoses available (page 87)
- 7** #2924-6000 – Gooseneck Spring (page 90)
- 8** #2926-3300 – Pipe to Hose Adapter (page 90)
- 9** #2925-6300 – Hose Hook (page 90)
- 10** #2927-4300 – 21" Riser
Other Length Risers available (page 90)
- 11** #2902-12 – Wall Bracket Adjustable Length (page 91)
- 12** #2901 – Add-On Body w/ 6" Swing Spout #3960 (page 91, 93, 103)
#2901-8 – Add-On Body w/ 8" Swing Spout #3961
#2901-10 – Add-On Body w/ 10" Swing Spout #3962
#2901-12 – Add-On Body w/ 12" Swing Spout #3963
#2901-14 – Add-On Body w/ 14" Swing Spout #3964
#2901-16 – Add-On Body w/ 16" SWING SPOUT #3967
Stem RH Swivel Repair Kit #3000-0000 (page 100)
- 13** #2700 – Single Wall Control Valve Rigid, Inlet 1/2"F (page 85)
Stem RH Swivel Repair Kit #3000-0000 (page 100)
- 14** #2200-0000 – 1/2" X 1-1/4" Nipple w/ Locknut, Washer and Slip Joint Kit (page 92)
- 15** #2400-2103 – 1/2" Wall Adapter Elbow (page 92)
- 16** #2600-CV – 4" Backsplash Control Valve Rigid, Inlets 1/2"M X 1"LG (page 85)
Hot Stem LH Check Repair Kit #2000-0005 (page 100)
Cold Stem RH Check Repair Kit #2000-0004 (page 100)
- 17** #2200-CV – 8" ADJ. Wall Cntrl Valve Rigid, Inlets 1/2"F Eccentrics (page 85, 103)
Hot Stem RH Check Repair Kit #2000-0004 (page 100)
Cold Stem LH Check Repair Kit #2000-0005 (page 100)
- 18** #13196 – 8" C/C Backsplash Cntrl Valve Rigid, Inlets 1/2"M X 1"LG Concentrics (page 85, 103)
Hot Stem RH Check Repair Kit #2000-0004 (page 100)
Cold Stem LH Check Repair Kit #2000-0005 (page 100)
- 19** #10022 – Supply Line 1/2"F X 1/2"F X 36"LG
- 20** #10006 – Supply Line 1/2"M X 1/2"F X 36"LG
- 21** #1792 – Angle Stop w/ Key 1/2"M X 1/2"F (page 86)
- 22** #1790-1 Angle Stop w/ Cross Handle 1/2"M X 1/2"F (page 86)

Standard Components

Optional Components

* Optional handles available (page 92, 102)
Vandal Resistant Kit available (page 93)

PRE-RINSE UNITS

PRE-RINSE UNITS



#2011-WB – Pre-Rinse Unit: single deck control valve, Ultra Spray, wall bracket
 #2011 – Pre-Rinse Unit: single deck control valve, Ultra Spray



#2111-WB – Pre-Rinse Unit: single deck dual control valve, Ultra Spray, wall bracket
 #2111 – Pre-Rinse Unit: single deck dual control valve, Ultra Spray



#2311-WB – Pre-Rinse Unit: 8" c/c deck control valve, Ultra Spray, wall bracket
 #2311 – Pre-Rinse Unit: 8" c/c deck control valve, Ultra Spray

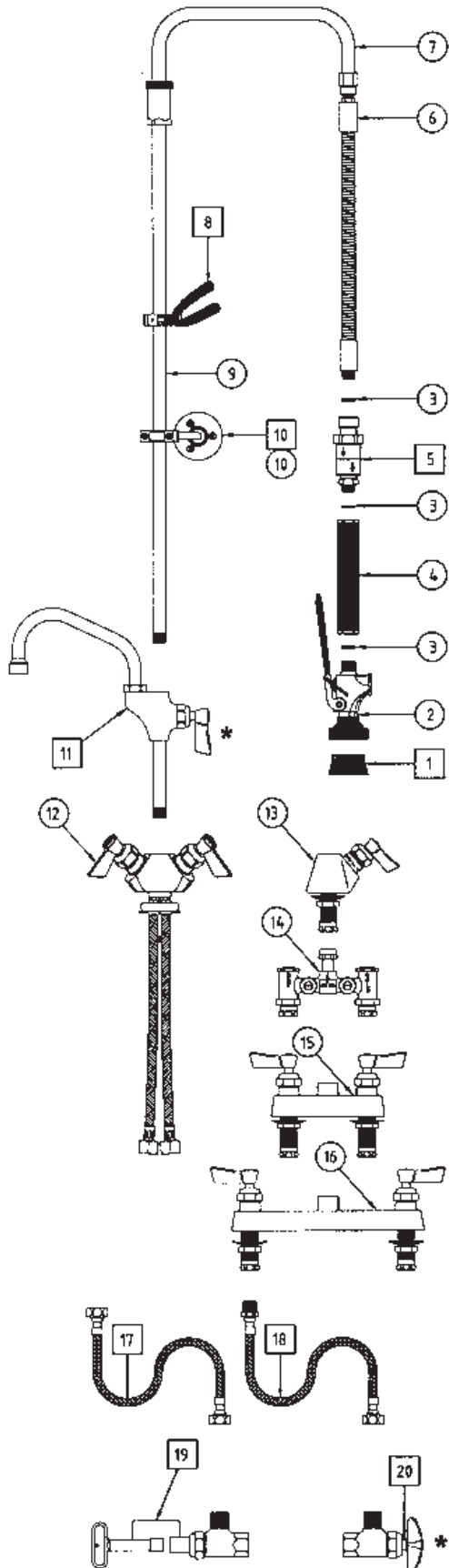


#2511-WB – Pre-Rinse Unit: 4" c/c deck control valve, Ultra Spray, wall bracket
 #2511 – Pre-Rinse Unit: 4" c/c deck control valve, Ultra Spray

FISHER MANUFACTURING CO. ■ TOLL FREE: 800/421-6162 ■ FAX: 800/832-8238

FISHER

Pre-Rinse, Swivel Style – Deck Mount



- 1** #2949-9001 – Brush (page 89)
- 2** #2949 – 1.15 GPM Spray Valve (page 89)
Repair Kit #11355 (page 99)
- 3** #2922-5000 – Washer (page 103)
- 4** #2913 – Insulated Handle (page 88)
- 5** #2932-0002 – Back Flow Preventer (page 46)
- 6** #2916-151/2 – 15-1/2" Hose
Other length hoses available (page 87)
- 7** #2011-0000 – Gooseneck Pre-Rinse SVL 1/4" (page 90, 103)
- 8** #2943 – Clamp Pipe Mount Hook (page 91)
- 9** #2927-4301 – 31" Riser
Other length risers available (page 90)
- 10** #2902-12 – Wall Bracket Adjustable Length (page 91)
- 11** #2901 – Add-On Body w/ 6" Swing Spout #3960 (page 91, 93, 103)
#2901-8 – Add-On Body w/ 8" Swing Spout #3961
#2901-10 – Add-On Body w/ 10" Swing Spout #3962
#2901-12 – Add-On Body w/ 12" Swing Spout #3963
#2901-14 – Add-On Body w/ 14" Swing Spout #3964
#2901-16 – Add-On Body w/ 16" Swing Spout #3967
Stem RH Swivel Repair Kit #3000-0000 (page 100)
- 12** #13080 – Single Deck Dual Control Valve Rigid, Inlets 1/2" F X 1/4" LG (page 84; replacement supply lines and mounting kit page 97)
Hot Stem RH Check Repair Kit #2000-0004 (page 100)
Cold Stem LH Check Repair Kit #2000-0005 (page 100)
- 13** #12890 – Single Deck Control Valve Rigid, Inlet 1/2" M X 2" LG (page 84; replacement supply lines and mounting kit page 97)
Stem LH Swivel Repair Kit #3000-0001 (page 100)
- 14** #2970-3 – Temperature Control Valve, Inlets 1/2" M Adjustable Hot & Cold Flow (page 86, 96)
- 15** #2500-CV – 4" Deck Control Valve Rigid, Inlets 1/2" M X 2" LG (page 84)
Hot Stem RH Check Repair Kit #2000-0004 (page 100)
Cold Stem LH Check Repair Kit #2000-0005 (page 100)
- 16** #2300-CV – 8" Deck Control Valve Rigid, Inlets 1/2" M X 2" LG (page 84)
Hot Stem RH Check Repair Kit #2000-0004 (page 100)
Cold Stem LH Check Repair Kit #2000-0005 (page 100)
- 17** #10022 – Supply Line 1/2" F X 1/2" F X 36" LG
- 18** #10006 – Supply Line 1/2" M X 1/2" F X 36" LG
- 19** #1792 – Angle Stop w/ Key 1/2" M X 1/2" F (page 86)
- 20** #1790-1 – Angle Stop w/ Cross Handle 1/2" M X 1/2" F (page 86)

Standard Components

Optional Components

* Optional handles available (page 92, 102)
Vandal Resistant Kit available (page 93)

PRE-RINSE UNITS

FISHER Pre-Rinse, Swivel Style – Wall/Backsplash Mount

PRE-RINSE UNITS



#2211-WB – Pre-Rinse Unit: 8" adj. wall control valve, Ultra Spray, wall bracket
#2211 – Pre-Rinse Unit: 8" adj. wall control valve, Ultra Spray



#13439 – Pre-Rinse Unit: 8" c/c backsplash control valve, Ultra Spray, wall bracket
#13404 – Pre-Rinse Unit: 8" c/c backsplash control valve, Ultra Spray



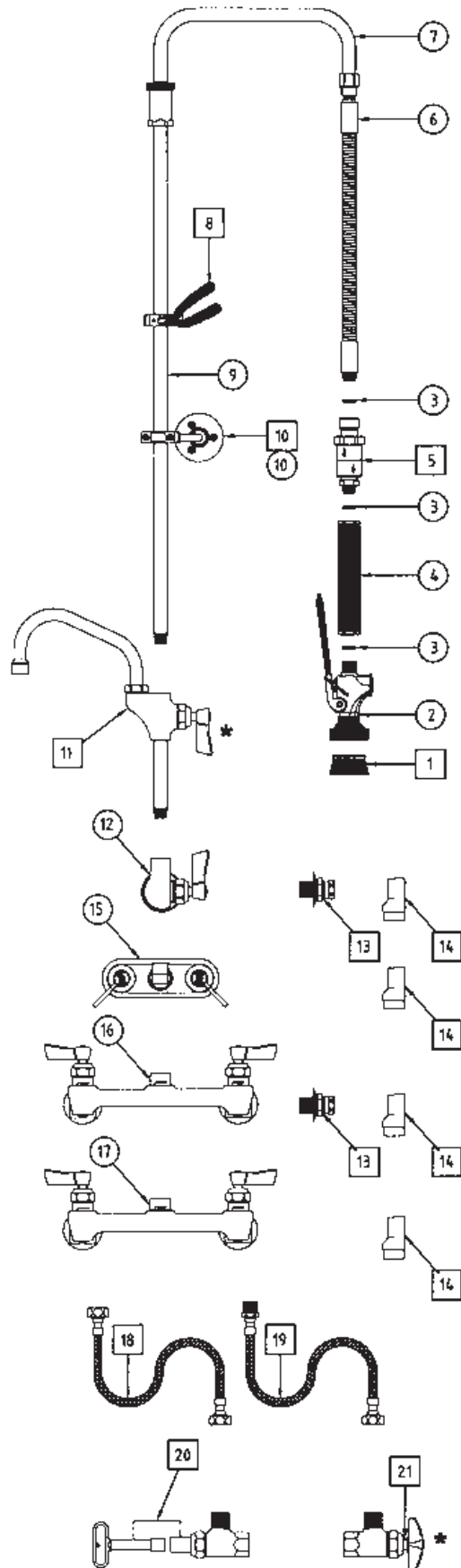
#2611-WB – Pre-Rinse Unit: 4" c/c backsplash control valve, Ultra Spray, wall bracket
#2611 – Pre-Rinse Unit: 4" c/c backsplash control valve, Ultra Spray



#2711-WB – Pre-Rinse Unit: single wall control valve, Ultra Spray, wall bracket
#2711 – Pre-Rinse Unit: single wall control valve, Ultra Spray

FISHER MANUFACTURING CO. ■ TOLL FREE: 800/421-6162 ■ FAX: 800/832-8238

FISHER Pre-Rinse, Swivel Style – Wall/Backsplash Mount



- 1** #2949-9001 – Brush (page 89)
- 2** #2949 – 1.15 GPM Spray Valve (page 89)
Repair Kit #11355 (page 99)
- 3** #2922-5000 – Washer (page 103)
- 4** #2913 – Insulated Handle (page 88)
- 5** #2932-0002 – Back Flow Preventer (page 46)
- 6** #2916-151/2 – 15-1/2" Hose
Other length hoses Available (page 87)
- 7** #2011-0000 – Gooseneck Pre-Rinse SVL (page 90, 103)
- 8** #2943 – Clamp Pipe Mount Hook (page 91)
- 9** #2927-4301 – 31" Riser
Other length risers available (page 90)
- 10** #2902-12 – Wall Bracket Adjustable Length (page 91)
- 11** #2901 – Add-On Body w/ 6" Swing Spout #3960 (page 91, 93, 103)
#2901-8 – Add-On Body w/ 8" Swing Spout #3961
#2901-10 – Add-On Body w/ 10" Swing Spout #3962
#2901-12 – Add-On Body w/ 12" Swing Spout #3963
#2901-14 – Add-On Body w/ 14" Swing Spout #3964
#2901-16 – Add-On Body w/ 16" Swing Spout #3967
Stem RH Swivel Repair Kit #3000-0000 (page 100)
- 12** #2700 – Single Wall Control Valve Rigid, Inlet 1/2"F (page 85)
Stem RH Swivel Repair Kit #3000-0000 (page 100)
- 13** #2200-2000 – 1/2" X 1-1/4" Nipple w/ Locknut
Washer and Slip Joint Kit (page 92)
- 14** #2400-2103 – 1/2" Wall Adapter Elbow (page 92)
- 15** #2600-CV – 4" Backsplash Control Valve Rigid,
Inlets 1/2"M X 1"LG (page 85)
Hot Stem LH Check Repair Kit #2000-0005 (page 100)
Cold Stem RH Check Repair Kit #2000-0004 (page 100)
- 16** #2200-CV – 8" ADJ. Wall Control Valve Rigid, Inlets 1/2"F Eccen-
trics (page 85, 103)
Hot Stem RH Check Repair Kit #2000-0004 (page 100)
Cold STEM LH Check Repair Kit #2000-0005 (Page 100)
- 17** #13196 – 8" C/C Backsplash Control Valve Rigid, Inlets 1/2"M X
1"LG (page 85, 103)
Hot Stem RH Check Repair Kit #2000-0004 (page 100)
Cold Stem LH Check Repair Kit #2000-0005 (page 100)
- 18** #10022 – Supply Line 1/2"F X 1/2"F X 36"LG
- 19** #10006 – Supply Line 1/2"M X 1/2"F X 36"LG
- 20** #1792 – Angle Stop w/ Key 1/2"M X 1/2"F (page 86)
- 21** #1790-1 – Angle Stop w/ Cross Handle 1/2"M X 1/2"F (page 86)

Standard Components

Optional Components

* Optional handles available (page 92, 102)
Vandal Resistant Kit available (page 93)

PRE-RINSE UNITS

Pre-Rinse, Spring Style – Deck Mount with Add-On Faucet

PRE-RINSE UNITS



- #34096 – Pre-Rinse Unit: single deck control valve, Ultra-Spray, wall bracket & add-on faucet 6" spout
- #34118 – Pre-Rinse Unit: single deck control valve, Ultra-Spray, wall bracket & add-on faucet 8" spout
- #34126 – Pre-Rinse Unit: single deck control valve, Ultra-Spray, wall bracket & add-on faucet 10" spout
- #34134 – Pre-Rinse Unit: single deck control valve, Ultra-Spray, wall bracket & add-on faucet 12" spout
- #34142 – Pre-Rinse Unit: single deck control valve, Ultra-Spray, wall bracket & add-on faucet 14" spout
- #34150 – Pre-Rinse Unit: single deck control valve, Ultra-Spray, wall bracket & add-on faucet 16" spout



- #34169 – Pre-Rinse Unit: single deck dual control valve, Ultra-Spray, wall bracket & add-on faucet 6" spout
- #34177 – Pre-Rinse Unit: single deck dual control valve, Ultra-Spray, wall bracket & add-on faucet 8" spout
- #34185 – Pre-Rinse Unit: single deck dual control valve, Ultra-Spray, wall bracket & add-on faucet 10" spout
- #34193 – Pre-Rinse Unit: single deck dual control valve, Ultra-Spray, wall bracket & add-on faucet 12" spout
- #34207 – Pre-Rinse Unit: single deck dual control valve, Ultra-Spray, wall bracket & add-on faucet 14" spout
- #34215 – Pre-Rinse Unit: single deck dual control valve, Ultra-Spray, wall bracket & add-on faucet 16" spout



- #34223 – Pre-Rinse Unit: 8" c/c deck mount control valve, Ultra-Spray, wall bracket & add-on faucet 6" spout
- #34231 – Pre-Rinse Unit: 8" c/c deck mount control valve, Ultra-Spray, wall bracket & add-on faucet 8" spout
- #34258 – Pre-Rinse Unit: 8" c/c deck mount control valve, Ultra-Spray, wall bracket & add-on faucet 10" spout
- #34266 – Pre-Rinse Unit: 8" c/c deck mount control valve, Ultra-Spray, wall bracket & add-on faucet 12" spout
- #34274 – Pre-Rinse Unit: 8" c/c deck mount control valve, Ultra-Spray, wall bracket & add-on faucet 14" spout
- #34282 – Pre-Rinse Unit: 8" c/c deck mount control valve, Ultra-Spray, wall bracket & add-on faucet 16" spout

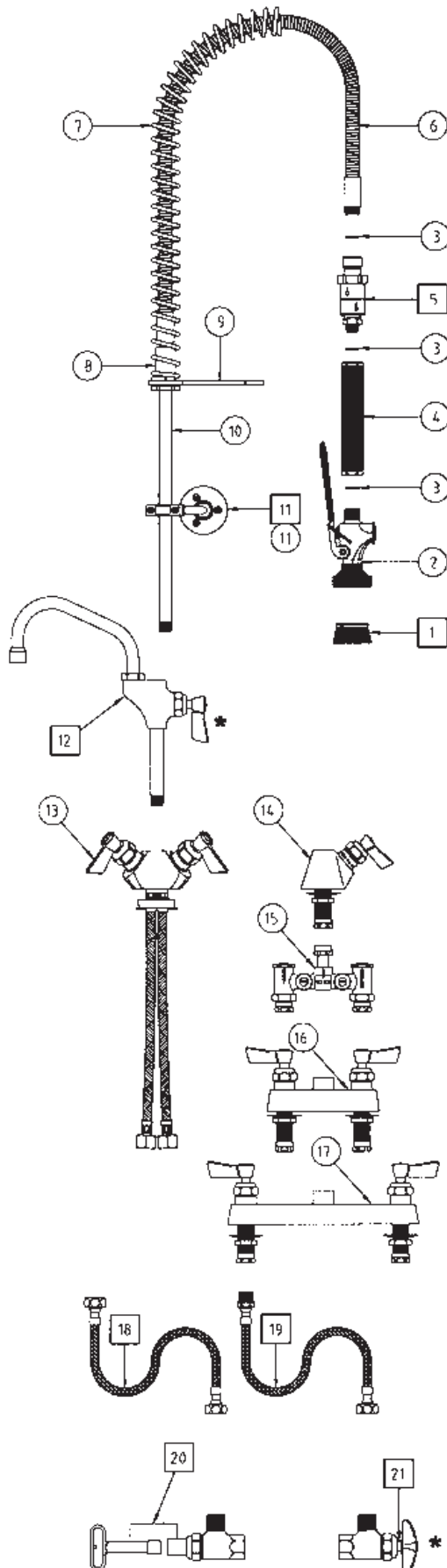


- #34290 – Pre-Rinse Unit: 4" c/c deck mount control valve, Ultra-Spray, wall bracket & add-on faucet 6" Spout
- #34304 – Pre-Rinse Unit: 4" c/c deck mount control valve, Ultra-Spray, wall bracket & add-on faucet 8" spout
- #34312 – Pre-Rinse Unit: 4" c/c deck mount control valve, Ultra-Spray, wall bracket & add-on faucet 10" spout
- #34320 – Pre-Rinse Unit: 4" c/c deck mount control valve, Ultra-Spray, wall bracket & add-on faucet 12" spout
- #34339 – Pre-Rinse Unit: 4" c/c deck mount control valve, Ultra-Spray, wall bracket & add-on faucet 14" spout
- #34347 – Pre-Rinse Unit: 4" c/c deck mount control valve, Ultra-Spray, wall bracket & add-on faucet 16" spout

FISHER MANUFACTURING CO. ■ TOLL FREE: 800/421-6162 ■ FAX: 800/832-8238

FISHER

Pre-Rinse, Spring Style – Deck Mount



- 1** #2949-9001 – Brush (page 89)
- 2** #2949 – 1.15 GPM Spray Valve (page 89)
Repair Kit #11355 (page 99)
- 3** #2922-5000 – Washer (page 103)
- 4** #2913 – Insulated Handle (page 88)
- 5** #2932-0002 – Back Flow Preventer (page 46)
- 6** #2914 – 36" Hose
Other length hoses available (page 87)
- 7** #2924-6000 – Gooseneck Spring (page 90)
- 8** #2926-3300 – Pipe to Hose Adapter (page 90)
- 9** #2925-6300 – Hose Hook (page 90)
- 10** #2927-4303 – 16" Riser
Other length risers available (page 90)
- 11** #2902-12 – Wall Bracket Adjustable Length (page 91)
- 12** #2901 – Add-On Body w/ 6" Swing Spout #3960 (page 91, 93, 103)
#2901-8 – Add-On Body w/ 8" Swing Spout #3961
#2901-10 – Add-On Body w/ 10" Swing Spout #3962
#2901-12 – Add-On Body w/ 12" Swing Spout #3963
#2901-14 – Add-On Body w/ 14" Swing Spout #3964
#2901-16 – Add-On Body w/ 16" Swing Spout #3967
Stem RH Swivel Repair Kit #3000-0000 (page 100)
- 13** #13080 – Single Deck Dual Control Valve Rigid, Inlets 1/2" F X 14" LG (page 84; replacement supply lines and mounting kit page 97)
Hot Stem RH Check Repair Kit #2000-0004 (page 100)
Cold Stem LH Check Repair Kit #2000-0005 (page 100)
- 14** #12890 – Single Deck Control Valve Rigid, Inlet 1/2" M X 2" LG (page 84)
Stem LH Swivel Repair Kit #3000-0001 (page 100; replacement supply lines and mounting kit page 97)
- 15** #2970-3 – Temperature Control Valve Rigid, Inlets 1/2" M Adjustable Hot & Cold Flow (page 86,96)
- 16** #2500-CV – 4" Deck Control Valve Rigid, Inlets 1/2" M X 2" LG (page 84)
Hot Stem RH Check Repair Kit #2000-0004 (page 100)
Cold Stem LH Check Repair Kit #2000-0005 (page 100)
- 17** #2300-CV – 8" Deck Control Valve Rigid, Inlets 1/2" M X 2" LG (page 84)
Hot Stem RH Check Repair Kit #2000-0004 (page 100)
Cold Stem LH Check Repair Kit #2000-0005 (page 100)
- 18** #10022 – Supply Line 1/2" F X 1/2" F X 36" LG
- 19** #10006 – Supply Line 1/2" M X 1/2" F X 36" LG
- 20** #1792 – Angle Stop w/ Key 1/2" M X 1/2" F (page 86)
- 21** #1790-1 – Angle Stop w/ Cross Handle 1/2" M X 1/2" F (page 86)

Standard Components

Optional Components

* Optional handles available (page 92, 102)
Vandal Resistant Kit available (page 93)

PRE-RINSE UNITS

Pre-Rinse, Spring Style – Wall/Backsplash Mount with Add-On Faucet

PRE-RINSE UNITS



- #34355 – Pre-Rinse Unit: 8" adj. wall mount control valve, Ultra-Spray, wall bracket & add-on faucet 6" spout
- #34363 – Pre-Rinse Unit: 8" adj. wall mount control valve, Ultra-Spray, wall bracket & add-on faucet 8" spout
- #34371 – Pre-Rinse Unit: 8" adj. wall mount control valve, Ultra-Spray, wall bracket & add-on faucet 10" spout
- #34398 – Pre-Rinse Unit: 8" adj. wall mount control valve, Ultra-Spray, wall bracket & add-on faucet 12" spout
- #34401 – Pre-Rinse Unit: 8" adj. wall mount control valve, Ultra-Spray, wall bracket & add-on faucet 14" spout
- #34428 – Pre-Rinse Unit: 8" adj. wall mount control valve, Ultra-Spray, wall bracket & add-on faucet 16" spout



- #34436 – Pre-Rinse Unit: 8" c/c backsplash control valve, Ultra-Spray, wall bracket & add-on faucet 6" spout
- #34444 – Pre-Rinse Unit: 8" c/c backsplash control valve, Ultra-Spray, wall bracket & add-on faucet 8" spout
- #34452 – Pre-Rinse Unit: 8" c/c backsplash control valve, Ultra-Spray, wall bracket & add-on faucet 10" spout
- #34460 – Pre-Rinse Unit: 8" c/c backsplash control valve, Ultra-Spray, wall bracket & add-on faucet 12" spout
- #34479 – Pre-Rinse Unit: 8" c/c backsplash control valve, Ultra-Spray, wall bracket & add-on faucet 14" spout
- #34487 – Pre-Rinse Unit: 8" c/c backsplash control valve, Ultra-Spray, wall bracket & add-on faucet 16" spout



- #34495 – Pre-Rinse Unit: 4" c/c backsplash control valve, Ultra-Spray, wall bracket & add-on faucet 6" spout
- #34509 – Pre-Rinse Unit: 4" c/c backsplash control valve, Ultra-Spray, wall bracket & add-on faucet 8" spout
- #34517 – Pre-Rinse Unit: 4" c/c backsplash control valve, Ultra-Spray, wall bracket & add-on faucet 10" spout
- #34525 – Pre-Rinse Unit: 4" c/c backsplash control valve, Ultra-Spray, wall bracket & add-on faucet 12" spout
- #34533 – Pre-Rinse Unit: 4" c/c backsplash control valve, Ultra-Spray, wall bracket & add-on faucet 14" spout
- #34541 – Pre-Rinse Unit: 4" c/c backsplash control valve, Ultra-Spray, wall bracket & add-on faucet 16" spout

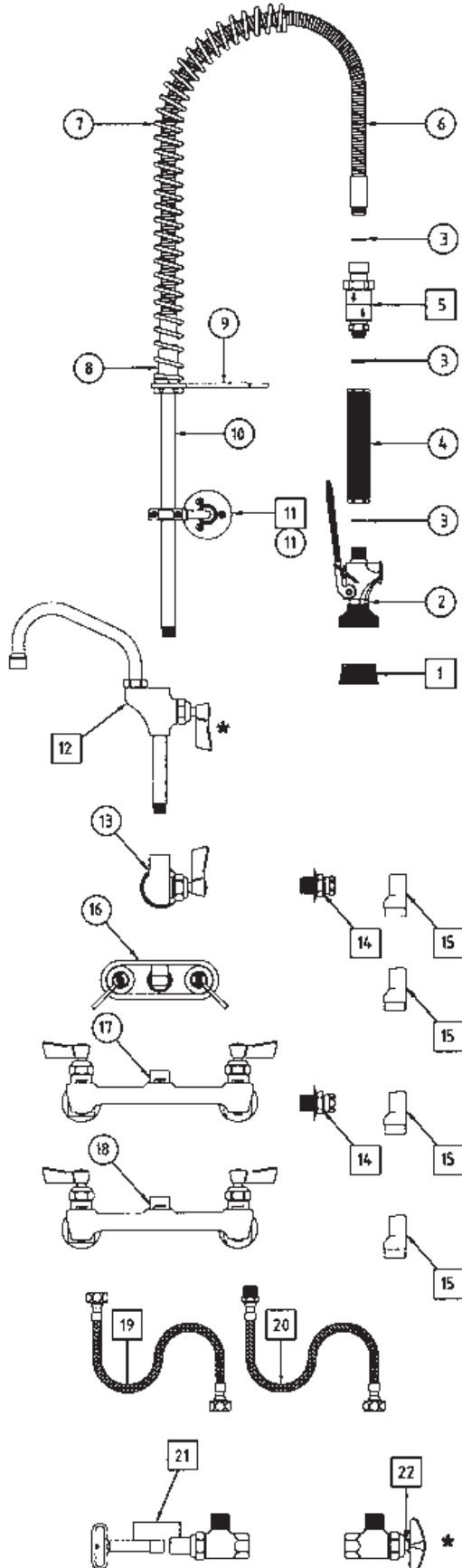


- #34568 – Pre-Rinse Unit: single wall control valve, Ultra-Spray, wall bracket & add-on faucet 6" spout
- #34576 – Pre-Rinse Unit: single wall control valve, Ultra-Spray, wall bracket & add-on faucet 8" spout
- #34584 – Pre-Rinse Unit: single wall control valve, Ultra-Spray, wall bracket & add-on faucet 10" spout
- #34592 – Pre-Rinse Unit: single wall control valve, Ultra-Spray, wall bracket & add-on faucet 12" spout
- #34606 – Pre-Rinse Unit: single wall control valve, Ultra-Spray, wall bracket & add-on faucet 14" spout
- #34614 – Pre-Rinse Unit: single wall control valve, Ultra-Spray, wall bracket & add-on faucet 16" spout

FISHER MANUFACTURING CO. ■ TOLL FREE: 800/421-6162 ■ FAX: 800/832-8238

FISHER

Pre-Rinse, Spring Style – Wall/Backsplash Mount



- 1** #2949-9001 – Brush (page 89)
- 2** #2949 – 1.15 GPM Spray Valve (page 89)
Repair Kit #11355 (page 99)
- 3** #2922-5000 – Washer (page 103)
- 4** #2913 – Insulated Handle (page 88)
- 5** #2932-0002 – Back Flow Preventer (page 46)
- 6** #2914 – 36" Hose
Other length hoses available (page 87)
- 7** #2924-6000 – Gooseneck Spring (page 90)
- 8** #2926-3300 – Pipe to Hose Adapter (page 90)
- 9** #2925-6300 – Hose Hook (page 90)
- 10** #2927-4303 – 16" Riser
Other Length Risers available (page 90)
- 11** #2902-12 – Wall Bracket Adjustable Length (page 91)
- 12** #2901 – Add-On Body w/ 6" Swing Spout #3960 (page 91, 93, 103)
#2901-8 – Add-On Body w/ 8" Swing Spout #3961
#2901-10 – Add-On Body w/ 10" Swing Spout #3962
#2901-12 – Add-On Body w/ 12" Swing Spout #3963
#2901-14 – Add-On Body w/ 14" Swing Spout #3964
#2901-16 – Add-On Body w/ 16" SWING SPOUT #3967
Stem RH Swivel Repair Kit #3000-0000 (page 100)
- 13** #2700 – Single Wall Control Valve Rigid, Inlet 1/2"F (page 85)
Stem RH Swivel Repair Kit #3000-0000 (page 100)
- 14** #2200-0000 – 1/2" X 1-1/4" Nipple w/ Locknut, Washer and Slip Joint Kit (page 92)
- 15** #2400-2103 – 1/2" Wall Adapter Elbow (page 92)
- 16** #2600-CV – 4" Backsplash Control Valve Rigid, Inlets 1/2"M X 1"LG (page 85)
Hot Stem LH Check Repair Kit #2000-0005 (page 100)
Cold Stem RH Check Repair Kit #2000-0004 (page 100)
- 17** #2200-CV – 8" ADJ. Wall Cntrl Valve Rigid, Inlets 1/2"F Eccentrics (page 85, 103)
Hot Stem RH Check Repair Kit #2000-0004 (page 100)
Cold Stem LH Check Repair Kit #2000-0005 (page 100)
- 18** #13196 – 8" C/C Backsplash Cntrl Valve Rigid, Inlets 1/2"M X 1"LG Concentrics (page 85, 103)
Hot Stem RH Check Repair Kit #2000-0004 (page 100)
Cold Stem LH Check Repair Kit #2000-0005 (page 100)
- 19** #10022 – Supply Line 1/2"F X 1/2"F X 36"LG
- 20** #10006 – Supply Line 1/2"M X 1/2"F X 36"LG
- 21** #1792 – Angle Stop w/ Key 1/2"M X 1/2"F (page 86)
- 22** #1790-1 Angle Stop w/ Cross Handle 1/2"M X 1/2"F (page 86)

Standard Components

Optional Components

* Optional handles available (page 92, 102)
Vandal Resistant Kit available (page 93)

PRE-RINSE UNITS



#2040 – Pot Filler: single deck control valve, vacuum breaker, wall hook



#2140 – Pot Filler: single deck dual control valve, vacuum breaker, wall hook

POT FILLERS – 1/2"



#2050 – Pot Filler: single deck control valve, swivel hose adapter, wall hook

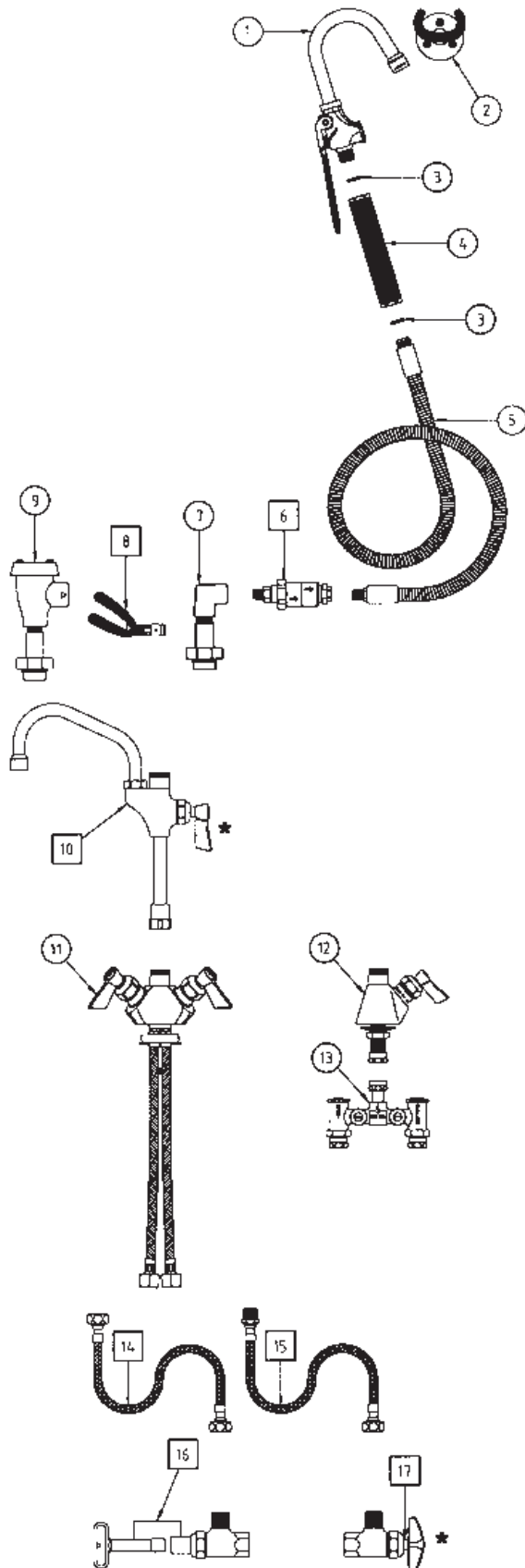


#2150 – Pot Filler: single deck dual control valve, swivel hose adapter, wall hook

FISHER MANUFACTURING CO. ■ TOLL FREE: 800/421-6162 ■ FAX: 800/832-8238

FISHER

Pot Filler – Deck Mount



- 1 #11061 – Pot Filler Valve (page 89)
Repair Kit #11355 (page 99)
- 2 #2907 – Wall Hook (page 91)
- 3 #2922-5000 – Washer (page 103)
- 4 #2913 – Insulated Handle (page 88)
- 5 #2915-FG – 60" Foodgrade Hose
Other length hoses available (page 87)
- 6 #2542 – Back Flow Preventer (page 46)
- 7 #2931 – Swivel Hose Adapter 1/4" (page 90, 103)
- 8 #2943 – Clamp Type Pipe Mount Hook (page 91)
- 9 #2932 – Swivel Hose Adapter, 1/4" F Outlet, Vacuum Breaker
(page 90, 96, 103)
- 10 #2771 – Add-On Body w/ 6" Swing Spout #3960 (page 91, 93, 103)
#2798 – Add-On Body w/ 8" Swing Spout #3961
#2801 – Add-On Body w/ 10" Swing Spout #3962
#2828 – Add-On Body w/ 12" Swing Spout #3963
#2836 – Add-On Body w/ 14" Swing Spout #3964
#2844 – Add-On Body w/ 16" Swing Spout #3967
Stem RH Swivel Repair Kit #3000-0000 (page 100)
- 11 #13072 – Single Deck Dual Control Valve Swivel, Inlets
1/2" F X 14" LG (page 84; replacement supply lines and mounting kit
page 97)
Hot Stem RH Check Repair Kit #2000-0004 (page 100)
Cold Stem LH Check Repair Kit #2000-0005 (page 100)
- 12 #12815 – Single Deck Control Valve Swivel, Inlet 1/2" M X 2" LG
(page 84; replacement supply lines and mounting kit page 97)
Stem LH Swivel Repair Kit #3000-0001 (page 100)
- 13 #2970-3 – Temperature Control Valve, Inlets 1/2" M
Adjustable Hot & Cold Flow (page 86, 96)
- 14 #10022 – Supply Line 1/2" F X 1/2" F X 36" LG
- 15 #10006 – Supply Line 1/2" M X 1/2" F X 36" LG
- 16 #1792 – Angle Stop w/ Key 1/2" M X 1/2" F (page 86)
- 17 #1790-1 – Angle Stop w/ Cross Handle 1/2" M X 1/2" F (page 86)

Standard Components

Optional Components

* Optional handles available (page 92, 102)
Vandal Resistant Kit available (page 93)

POT FILLERS – 1/2"



#2240 – Pot Filler: 8" adj. wall control valve, vacuum breaker, wall hook



#2740 – Pot Filler: single wall control valve, vacuum breaker, wall hook

POT FILLERS – 1/2"



#2250 – Pot Filler: 8" adj. wall control valve, swivel hose adapter, wall hook

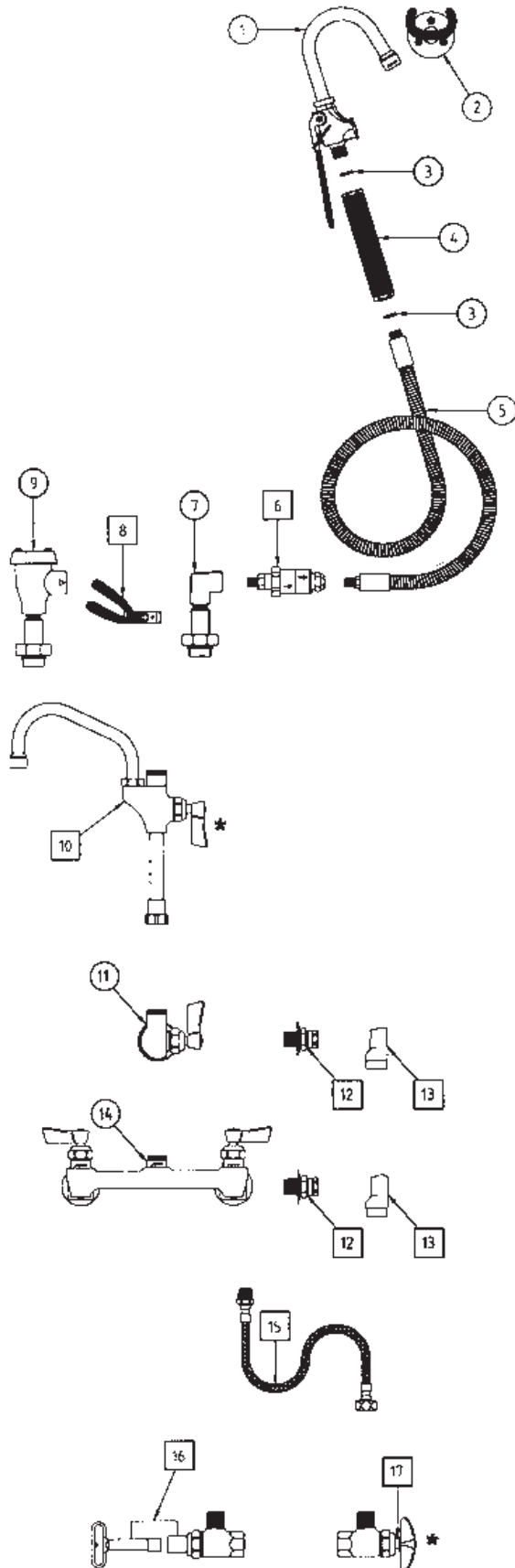


#2750 – Pot Filler: single wall control valve, swivel hose adapter, wall hook

FISHER MANUFACTURING CO. ■ TOLL FREE: 800/421-6162 ■ FAX: 800/832-8238

FISHER

Pot Filler – Wall Mount



- 1** #11061 – Pot Filler Valve (page 89)
Repair Kit #11355 (page 99)
- 2** #2907 – Wall Hook (page 91)
- 3** #2922-5000 – Washer (page 103)
- 4** #2913 – Insulated Handle (page 88)
- 5** #2915-FG – 60" Foodgrade Hose
Other length hoses available (page 87)
- 6** #2542 – Back Flow Preventer (page 46)
- 7** #2931 – Swivel Hose Adapter 1/4" (page 90, 103)
- 8** #2943 – Clamp Type Pipe Mount Hook (page 91)
- 9** #2932 – Swivel Hose Adapter, 1/4"F Outlet, Vacuum Breaker
(page 90, 96, 103)
- 10** #2771 – Add-On Body w/ 6" Swing Spout #3960 (page 91, 93, 103)
#2798 – Add-On Body w/ 8" Swing Spout #3961
#2801 – Add-On Body w/ 10" Swing Spout #3962
#2828 – Add-On Body w/ 12" Swing Spout #3963
#2836 – Add-On Body w/ 14" Swing Spout #3964
#2844 – Add-On Body w/ 16" Swing Spout #3967
Stem RH Swivel Repair Kit #3000-0000 (page 100)
- 11** #3700 – Single Wall Control Valve Swivel, Inlet 1/2"F (page 85)
Stem RH Swivel Repair Kit #3000-0000 (page 100)
- 12** #2200-0000 – 1/2" X 1-1/4" Nipple w/ Locknut, Wash and Slip
Joint Kit (page 92)
- 13** #2400-2103 – 1/2" Wall Adapter Elbow (page 92)
- 14** #3200-CV – 8" C/C Adj. Wall control Valve Swivel, Inlets 1/2"F
Eccentrics (page 85, 103)
Hot Stem RH Check Repair Kit #2000-0004 (page 100)
Cold Stem LH Check Repair Kit #2000-0005 (page 100)
- 15** #10006 – Supply Line 1/2"M X 1/2"F X 36"LG
- 16** #1792 – Angle Stop w/ Key 1/2"M X 1/2"F (page 86)
- 17** #1790-1 – Angle Stop w/ Cross Handle 1/2"M X 1/2"F (page 86)

Standard Components

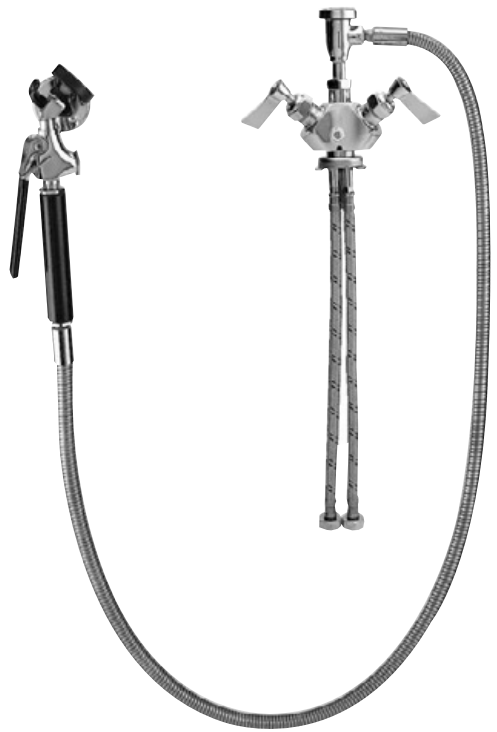
Optional Components

* Optional handles available (page 92, 102)
Vandal Resistant Kit available (page 93)

POT FILLERS – 1/2"



#2060 – Utility Spray: single deck control valve, vacuum breaker, wall hook



#2160 – Utility Spray: single deck dual control valve, vacuum breaker, wall hook



#2070 – Utility Spray: single deck control valve, swivel hose adapter, wall hook



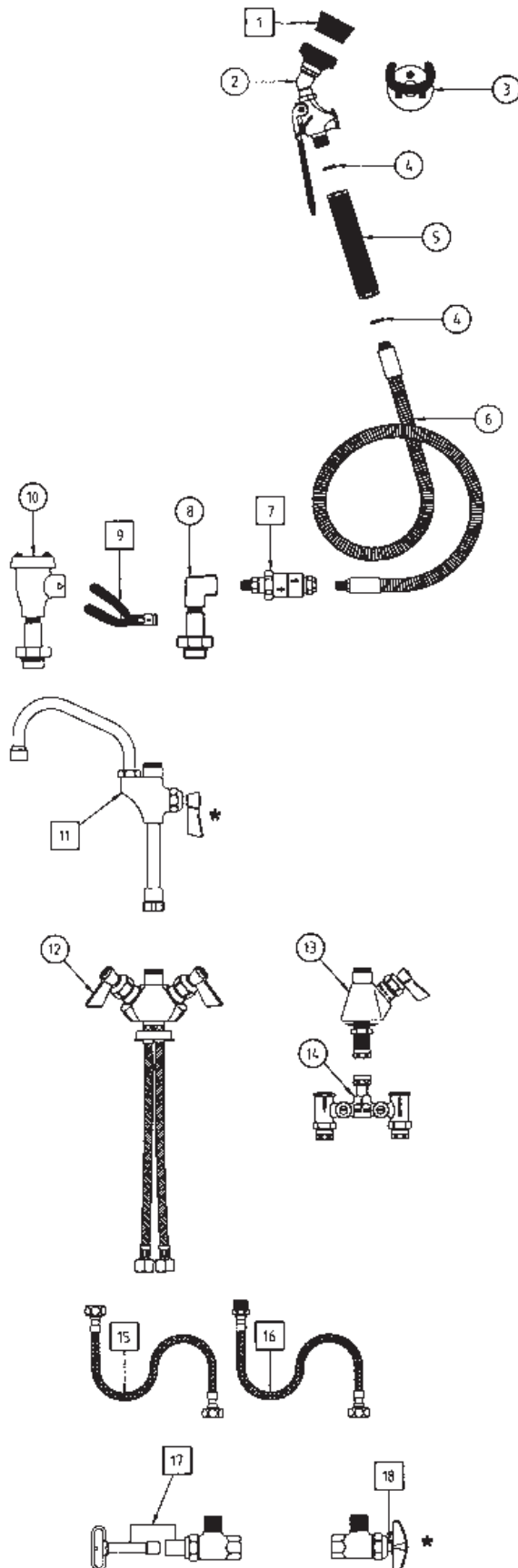
#2170 – Utility Spray: single deck dual control valve, swivel hose adapter, wall hook

UTILITY SPRAYS – 1/2"

FISHER MANUFACTURING CO. ■ TOLL FREE: 800/421-6162 ■ FAX: 800/832-8238

FISHER

Utility Spray – Deck Mount



- 1** #2949-9001 – Brush (page 89)
- 2** #2920 – Utility Spray Valve (page 89)
Repair Kit #11355 (page 99)
- 3** #2907 – Wall Hook (page 91)
- 4** #2922-5000 – Washer (page 103)
- 5** #2913 – Insulated Handle (page 88)
- 6** #2915 – 60" Hose
Other length hoses available (page 87)
- 7** #2542 – Back Flow Preventer (page 46)
- 8** #2931 – Swivel Hose Adapter 1/4" (page 90, 103)
- 9** #2943 – Clamp Type Pipe Mount Hook (page 91)
- 10** #2932 – Swivel Hose Adapter, 1/4" F Outlet, Vacuum Breaker
(page 90, 96, 103)
- 11** #2771 – Add-On Body w/ 6" Swing Spout #3960 (page 91, 93, 103)
#2798 – Add-On Body w/ 8" Swing Spout #3961
#2801 – Add-On Body w/ 10" Swing Spout #3962
#2828 – Add-On Body w/ 12" Swing Spout #3963
#2836 – Add-On Body w/ 14" Swing Spout #3964
#2844 – Add-On Body w/ 16" Swing Spout #3967
Stem RH Swivel Repair Kit #3000-0000 (page 100)
- 12** #13072 – Single Deck Dual Control Valve Swivel, Inlets
1/2" F X 14" LG (page 84; replacement supply lines and mounting kit
page 97)
Hot Stem RH Check Repair Kit #2000-0004 (page 100)
Cold Stem LH Check Repair Kit #2000-0005 (page 100)
- 13** #12815 – Single Deck Control Valve Swivel, Inlet 1/2" M X 2" LG
(page 84; replacement supply lines and mounting kit page 97)
Stem LH Swivel Repair Kit #3000-0001 (page 100)
- 14** #2970-3 – Temperature Control Valve, Inlets 1/2" M
Adjustable Hot & Cold Flow (page 86, 96)
- 15** #10022 – Supply Line 1/2" F X 1/2" F X 36" LG
- 16** #10006 – Supply Line 1/2" M X 1/2" F X 36" LG
- 17** #1792 – Angle Stop w/ Key 1/2" M X 1/2" F (page 86)
- 18** #1790-1 – Angle Stop w/ Cross Handle 1/2" M X 1/2" F (page 86)

Standard Components

Optional Components

* Optional handles available (page 92, 102)
Vandal Resistant Kit available (page 93)



#2260 – Utility Spray: 8" adj. wall control valve, vacuum breaker, wall hook



#2760 – Utility Spray: single wall control valve, vacuum breaker, wall hook



#2270 – Utility Spray: 8" adj. wall control valve, swivel hose adapter, wall hook



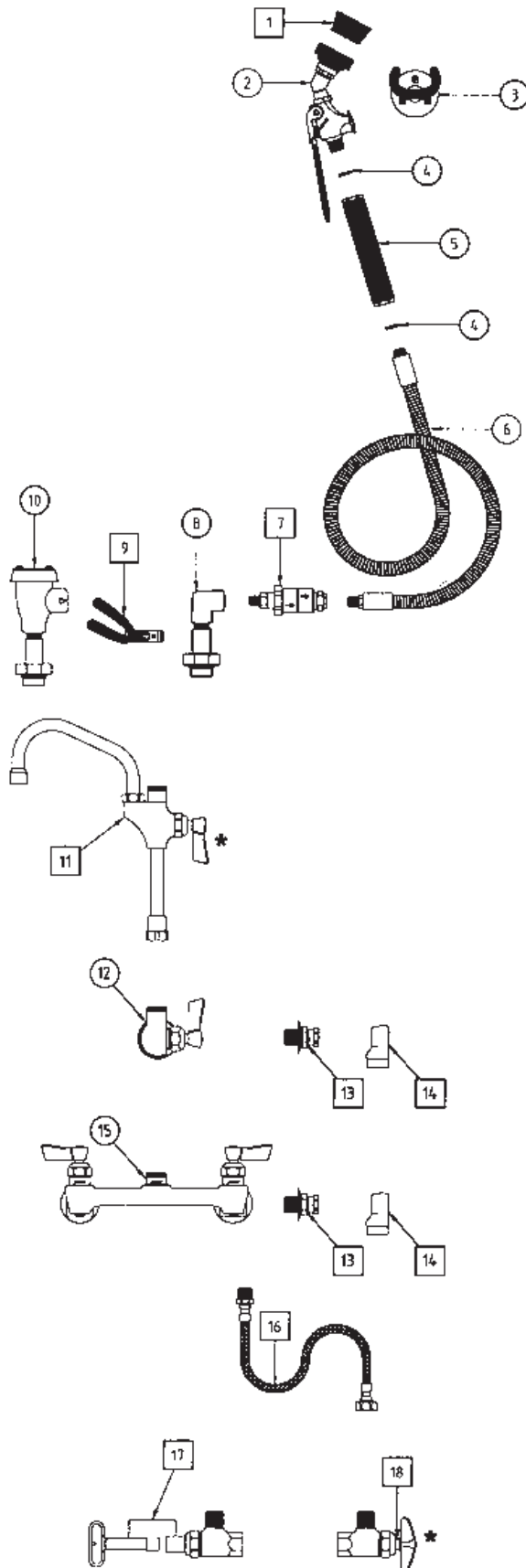
#2770 – Utility Spray: single wall control valve, swivel hose adapter, wall hook

UTILITY SPRAYS – 1/2"

FISHER MANUFACTURING CO. ■ TOLL FREE: 800/421-6162 ■ FAX: 800/832-8238

FISHER

Utility Spray – Wall Mount



- 1** #2949-9001 – Brush (page 89)
- 2** #2920 – Utility Spray Valve (page 89)
Repair Kit #11355 (page 99)
- 3** #2907 – Wall Hook (page 91)
- 4** #2922-5000 – Washer (page 103)
- 5** #2913 – Insulated Handle (page 88)
- 6** #2915 – 60" Hose
Other length hoses available (page 87)
- 7** #2542 – Back Flow Preventer (page 46)
- 8** #2931 – Swivel Hose Adapter 1/4" (page 90, 103)
- 9** #2943 – Clamp Type Pipe Mount Hook (page 91)
- 10** #2932 – Swivel Hose Adapter, 1/4" F Outlet, Vacuum Breaker
(page 90, 96, 103)
- 11** #2771 – Add-On Body w/ 6" Swing Spout #3960 (page 91, 93, 103)
#2798 – Add-On Body w/ 8" Swing Spout #3961
#2801 – Add-On Body w/ 10" Swing Spout #3962
#2828 – Add-On Body w/ 12" Swing Spout #3963
#2836 – Add-On Body w/ 14" Swing Spout #3964
#2844 – Add-On Body w/ 16" Swing Spout #3967
Stem RH Swivel Repair Kit #3000-0000 (page 100)
- 12** #3700 – Single Wall Control Valve Swivel, Inlet 1/2" F (page 85)
Stem RH Swivel Repair Kit #3000-0000 (page 100)
- 13** #2200-0000 – 1/2" X 1-1/4" Nipple w/ Locknut, Wash and Slip
Joint Kit (page 92)
- 14** #2400-2103 – 1/2" Wall Adapter Elbow (page 92)
- 15** #3200-CV – 8" C/C Adj. Wall control Valve Swivel, Inlets 1/2" F
Eccentrics (page 85, 103)
Hot Stem RH Check Repair Kit #2000-0004 (page 100)
Cold Stem LH Check Repair Kit #2000-0005 (page 100)
- 16** #10006 – Supply Line 1/2" M X 1/2" F X 36" LG
- 17** #1792 – Angle Stop w/ Key 1/2" M X 1/2" F (page 86)
- 18** #1790-1 – Angle Stop w/ Cross Handle 1/2" M X 1/2" F (page 86)

Standard Components

Optional Components

- * Optional handles available (page 92, 102)
- Vandal Resistant Kit available (page 93)



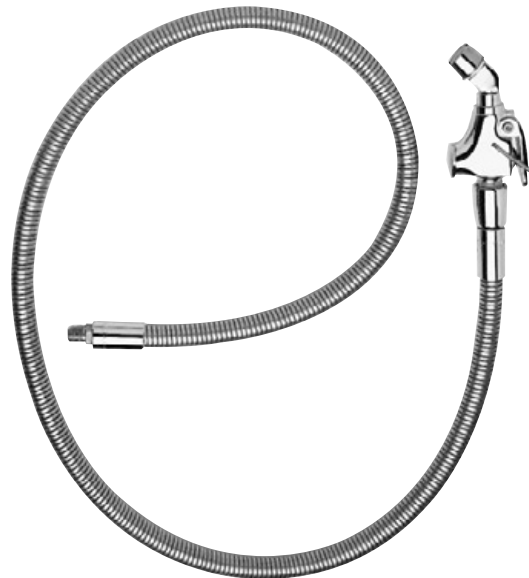
#9158 – 60" Hose and Utility Spray Valve: short squeeze lever, deck flange



#9159 – 60" Food Grade Hose and Glass Filler Valve: short squeeze lever, deck flange



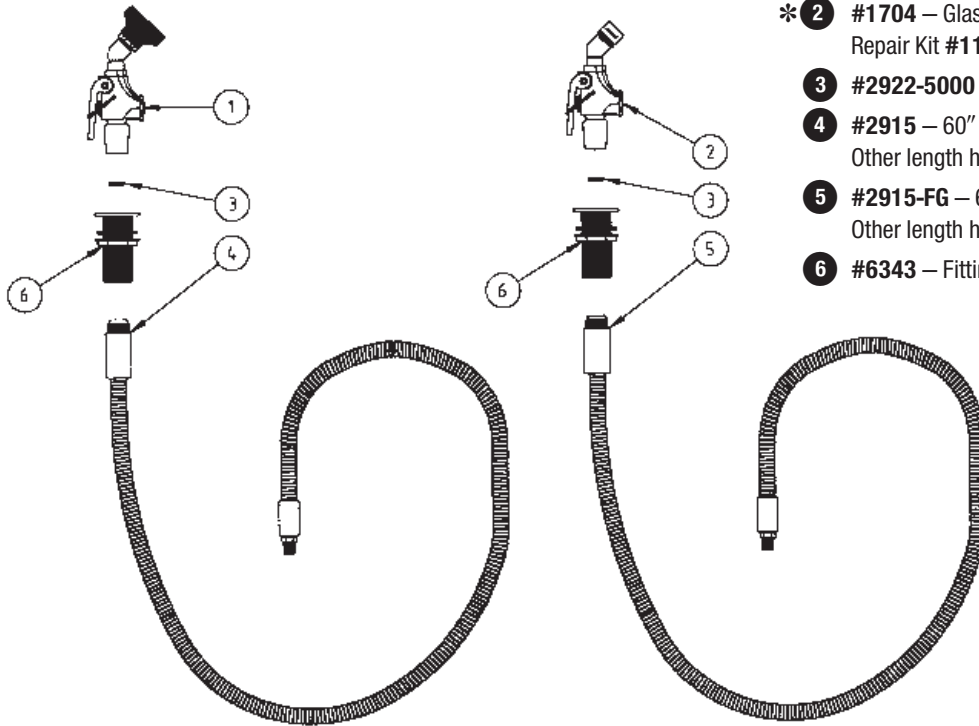
#1457 – 60" Hose and Utility Spray Valve: short squeeze lever



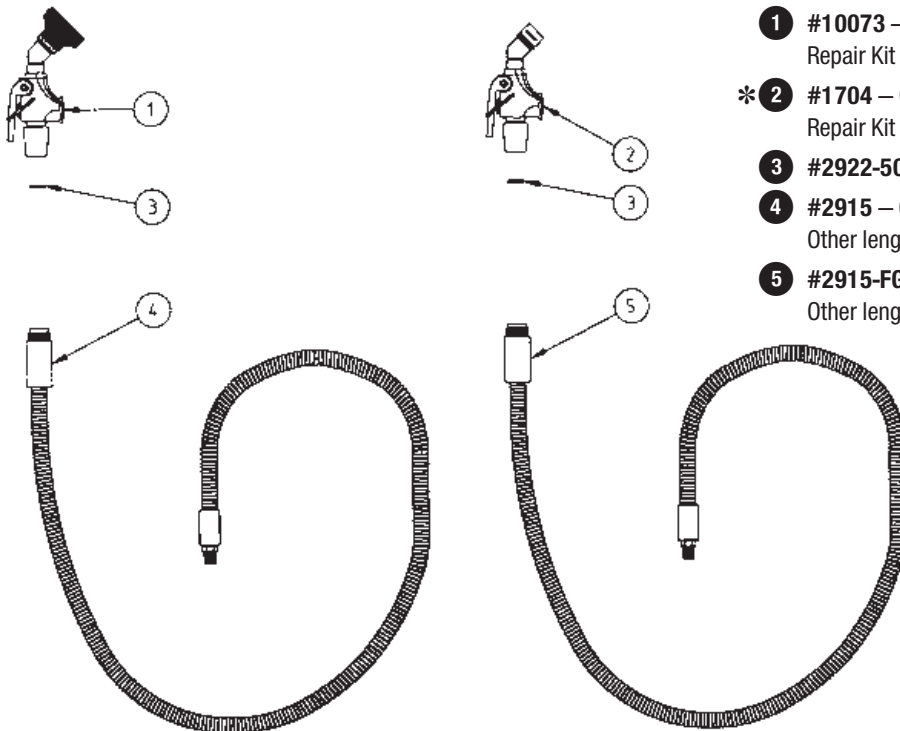
#1465 – 60" Food Grade Hose and Glass Filler Valve: short squeeze lever

HOSE ASSEMBLIES

FISHER MANUFACTURING CO. ■ TOLL FREE: 800/421-6162 ■ FAX: 800/832-8238



- * **1** #10073 – Utility Spray Valve (page 89)
Repair Kit #11355 (page 99)
- * **2** #1704 – Glass Filler Valve (page 89)
Repair Kit #11355 (page 99)
- 3** #2922-5000 – Gasket (page 103)
- 4** #2915 – 60" Hose
Other length hoses available (page 87)
- 5** #2915-FG – 60" Foodgrade Hose
Other length hoses available (page 87)
- 6** #6343 – Fitting Thru Deck (page 88)



- 1** #10073 – Utility Spray Valve (page 89)
Repair Kit #11355 (page 99)
- * **2** #1704 – Glass Filler Valve (page 89)
Repair Kit #11355 (page 99)
- 3** #2922-5000 – Gasket (page 103)
- 4** #2915 – 60" Hose
Other length hoses available (page 87)
- 5** #2915-FG – 60" Foodgrade Hose
Other length hoses available (page 87)

Standard Components

FISHER

QUESTIONS AND ANSWERS ABOUT BACKFLOW PREVENTION

Foodservice professionals are charged with the responsibility of providing proper backflow prevention when specifying Hose Reels, Hoses, Pot & Kettle Fillers and Pre-Rinse units. We have been asked many times to recommend the proper backflow prevention device to a particular application. The answer always has to be: "Check the local department in your area having jurisdiction regarding backflow prevention."

Please keep in mind that in all cases, approval of the type of device required, must rest with the local plumbing official and the local code which must be enforced. You should check with your local code agency having jurisdiction before specifying any plumbing device which may require backflow prevention.

Q What is Backflow?

A. Backflow is the reversal of the normal flow of water in the plumbing system.

Q What Causes Backflow?

A. Backflow can be caused by Back-siphonage and/or Back pressure.

► **Back-Siphonage** is caused by a negative pressure in the supply line which causes reverse flow of water from the outlet.

► **Back Pressure** is a pressure higher at the downstream or outlet end of a water distribution system than at a point upstream.

Q What is Continuous Pressure?

A. This term applies to an installation in which the pressure is being supplied continuously to a backflow preventive device for periods of over 12 hours at a time.

NOTE: A vacuum breaker should never be subjected to continuous pressure unless it is of the continuous pressure type and clearly identified for this service.

Q What is the Difference Between Pollution and Contamination?

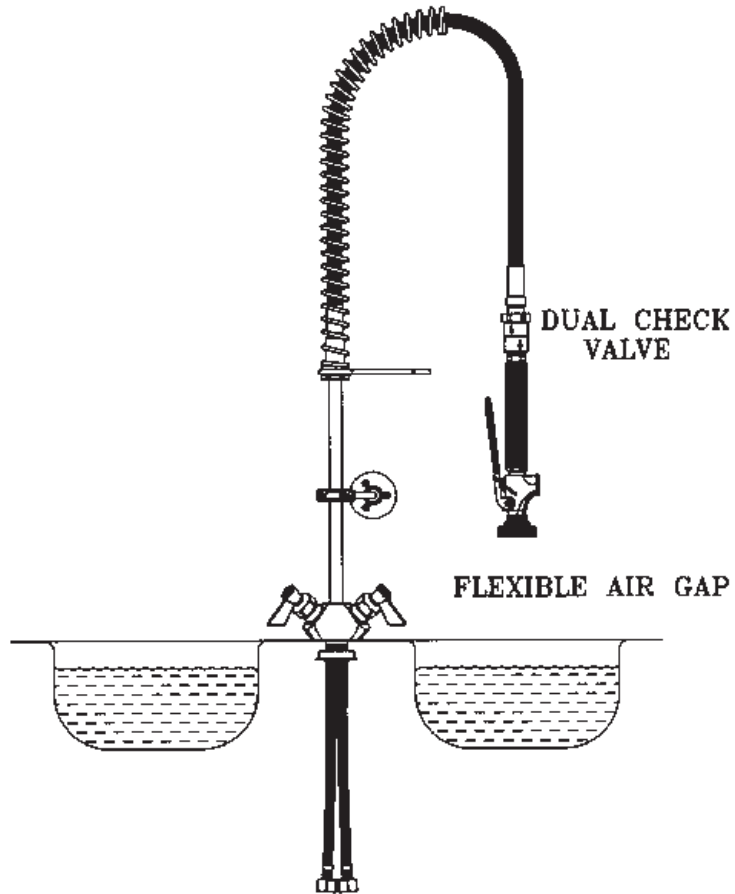
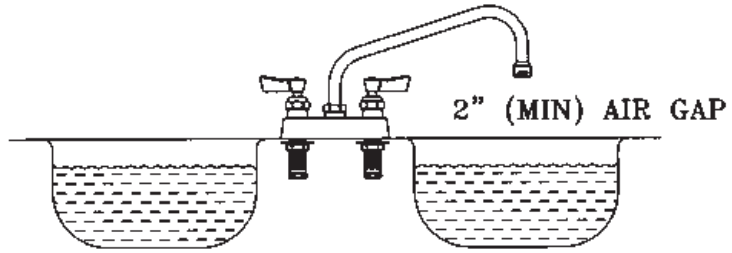
A. Pollution of the water supply does not constitute an actual health hazard, although the quality of water is impaired with respect to taste, odor or utility. However, contamination of the water supply does constitute an actual health hazard. The consumer, subjected to potentially lethal water-borne disease or illness, is at risk.

Q **What Backflow Prevention Methods Are Available?**

A. The corresponding illustrations show four mechanical set up methods for backflow prevention. Each has a particular application of devices and plumbing products, which alone or in combination, will prevent most unintentional backflow of water caused by back-siphonage or back pressure.

► **Air Gap** Air gap is a minimum physical separation between a potable water supply outlet and the overflow rim of any receiving vessel which may contain a pollutant or contaminant. This prevents any backflow by back-siphonage or back pressure.

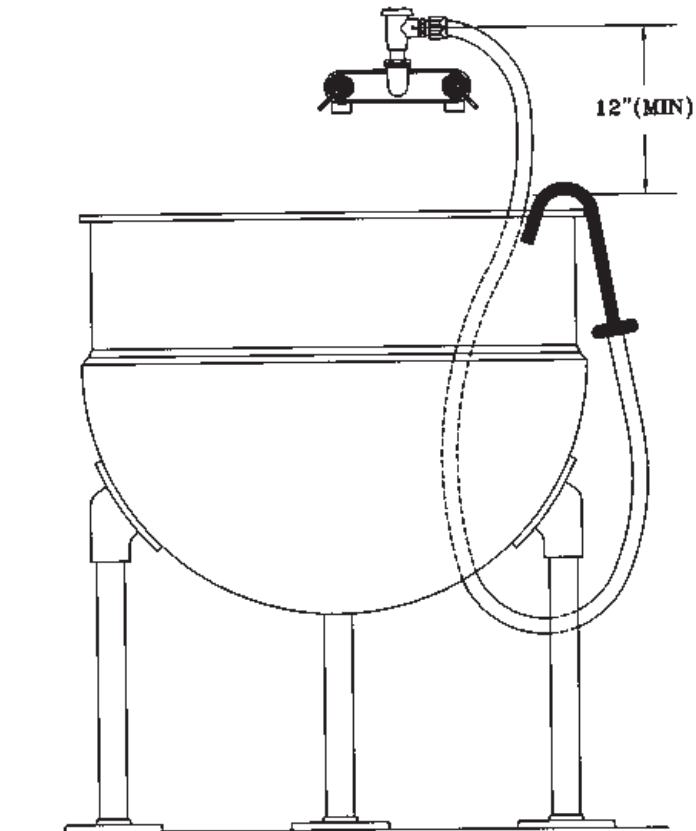
► **Back Flow Preventer (BFP)** BFP is installed in the water line when a plumbing fixture set up may allow the potable water supply outlet valve to reach the overflow rim of the vessel, thereby preventing backflow by back-siphonage or back pressure. The BFP may be considered an acceptable means to protect against pollutants only. Check local codes for each particular installation and application.



FISHER

- **Atmospheric Vacuum Breaker (AVB)** AVB can be installed to prevent both pollutants and contaminants *from back-siphonage only*. No valve installation is permitted downstream of the AVB. It may not be used under continuous pressure. The AVB outlet must be at a minimum height of 6" above the hose and discharge outlet point of use.

WARNING: Vacuum breakers must not be installed in a wall, above ceiling tiles, or where freezing or spillage will cause damage. Vacuum breakers should be installed in a location that is readily accessible for inspection.

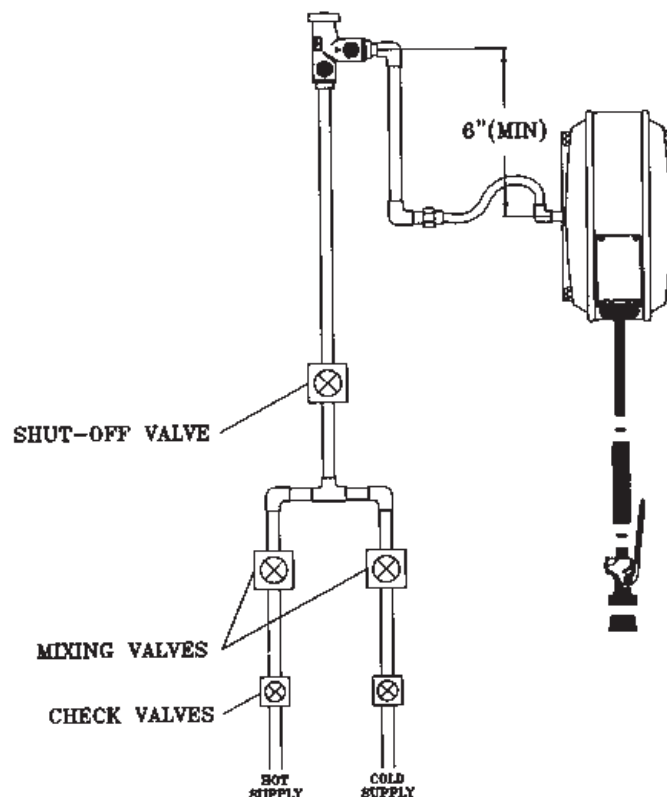


- **Anti-Spill Pressure Vacuum Breaker (ASPVB)**

ASPVB can be installed to protect potable water supply against backflow from a nonpotable source due to negative supply pressure. Protection against backsiphonage only.

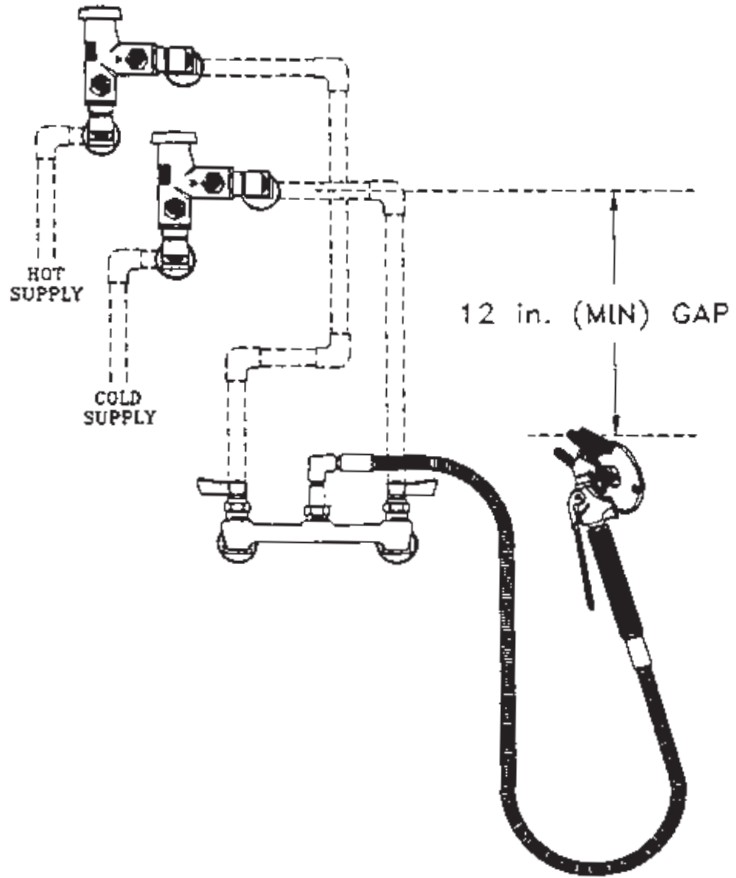
May be used in application of continuous pressure (shut off valves on inlet side). ASPVB must be installed at least 6" above the discharge outlet point of use.

WARNING: Vacuum breakers must not be installed in a wall, above ceiling tiles, or where freezing or spillage will cause damage. Vacuum breakers should be installed in a location that is readily accessible for inspection.



► **Pressure Vacuum Breaker (PVB)** PVB can be installed to prevent both pollutants and contaminants *from back-siphonage only*. No valve installation is permitted upstream of the PVB. It may only be used under continuous pressure. The PVB outlet must be at a minimum height of 12" above the hose and discharge outlet point of use.

WARNING: Vacuum breakers must not be installed in a wall, above ceiling tiles, or where freezing or spillage will cause damage. Vacuum breakers should be installed in a location that is readily accessible for inspection.



REEL RINSE UNITS

Fisher reel-rinse units make water conveniently available in all kitchen areas. Universally designed models are available for ceiling and wall mount use as well as under-counter models. All reel rinses are furnished ready to install and feature 3-ply, 200 lb. working pressure hoses. The hoses are designed to withstand 140°F continuous operating temperature.

Simplify installation with Fisher's uniquely designed reel rinse control unit which combines all the necessary components into one complete system. Control valves and gauges are completely enclosed within a stainless steel cabinet with only three connections — giving the operator total, tamper resistant control.

NOTE: In all cases, we suggest that local plumbing codes be followed, especially in the area of cross-flow and backflow prevention.



Fisher Reel Rinse Control Unit

**#2980 – Open Reel Rinse, 35' hose with Spray Valve**

White baked enamel finish, with ratchet lock and easy tension adjustment. Furnished with 3/8" ID hose rated at 200 PSI, 140°F water temperature. Reel includes an insulated hose handle and Spray Valve. Rotate mounting base for easy wall, deck, floor or under-counter applications. Water inlet is 1/2" Female NPT or 3/8" Female NPT.

**#2984 – Under Counter Reel Rinse, 12' hose with Utility Spray Valve**

White baked enamel finish, with ratchet lock and easy tension adjustment. Furnished with 3/8" ID hose rated at 200 PSI, 140°F water temperature. Reel includes an insulated hose handle and Utility Spray Valve. Rotate mounting base for easy wall, deck, floor or under-counter applications. Water inlet is 1/2" Female NPT or 3/8" Female NPT.

#29661 – Under Counter Reel Rinse, 12' hose with Spray Valve

Same as #2984, except with Standard Spray Valve.

**#2985 – Closed Reel Rinse, Wall Mounted, 30' hose with Spray Valve**

Stainless Steel Covered Reel, with ratchet lock and easy tension adjustment. Furnished with 3/8" ID hose rated at 200 PSI, 140°F water temperature. Reel includes an insulated hose handle and Spray Valve. Water inlet is 1/2" Female NPT or 3/8" Female NPT.

**#32026 – Closed Reel Rinse, Ceiling Mounted, 30' hose with Spray Valve**

Stainless Steel Covered Reel, with ratchet lock and easy tension adjustment. Furnished with 3/8" ID hose rated at 200 PSI, 140°F water temperature. Reel includes an insulated hose handle and Spray Valve. Water inlet is 1/2" Female NPT or 3/8" Female NPT.



#29599 – Open Reel Rinse, 35' hose with Spray Gun

All stainless steel construction, with ratchet lock and easy tension adjustment. Furnished with 1/2" ID hose rated at 300 PSI, 140°F water temperature. Reel includes a Spray Gun with swivel fitting for ease of operation. Hose guide arm adjusts up to nine different positions for easy wall, deck, floor or under-counter applications. Water inlet is 1/2" Female NPT.

#29262 – Open Reel Rinse, 50' hose with Spray Gun

Same as #29599, except with 50' hose.



#29610 – Open Reel Rinse, 35' hose with Spray Valve

All stainless steel construction, with ratchet lock and easy tension adjustment. Furnished with 3/8" ID hose rated at 300 PSI, 140°F water temperature. Reel includes an insulated hose handle and Spray Valve. Hose guide arm adjusts up to nine different positions for easy wall, deck, floor or under-counter applications. Water inlet is 1/2" Female NPT or 3/8" Female NPT.

#29602 – Open Reel Rinse, 50' hose with Spray Valve

Same as #29610, except with 50' hose.



#29637 – Closed Reel Rinse, 35' hose with Spray Gun

All stainless steel construction, with ratchet lock and easy tension adjustment. Furnished with 1/2" ID hose rated at 300 PSI, 140°F water temperature. Reel includes a Spray Gun with swivel fitting for ease of operation. The outside cover adjusts to meet any installation requirements, for wall, ceiling, deck, floor or under-counter applications. Water inlet is 1/2" Female NPT.

#29629 – Closed Reel Rinse, 50' hose with Spray Gun

Same as #29637, except with 50' hose.



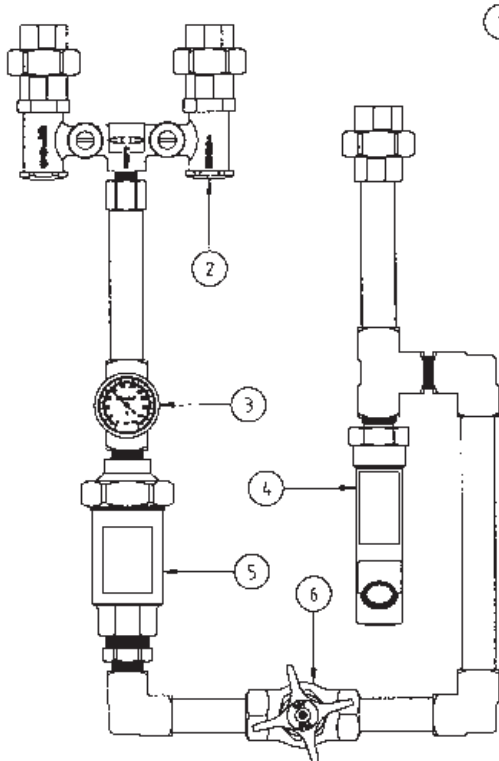
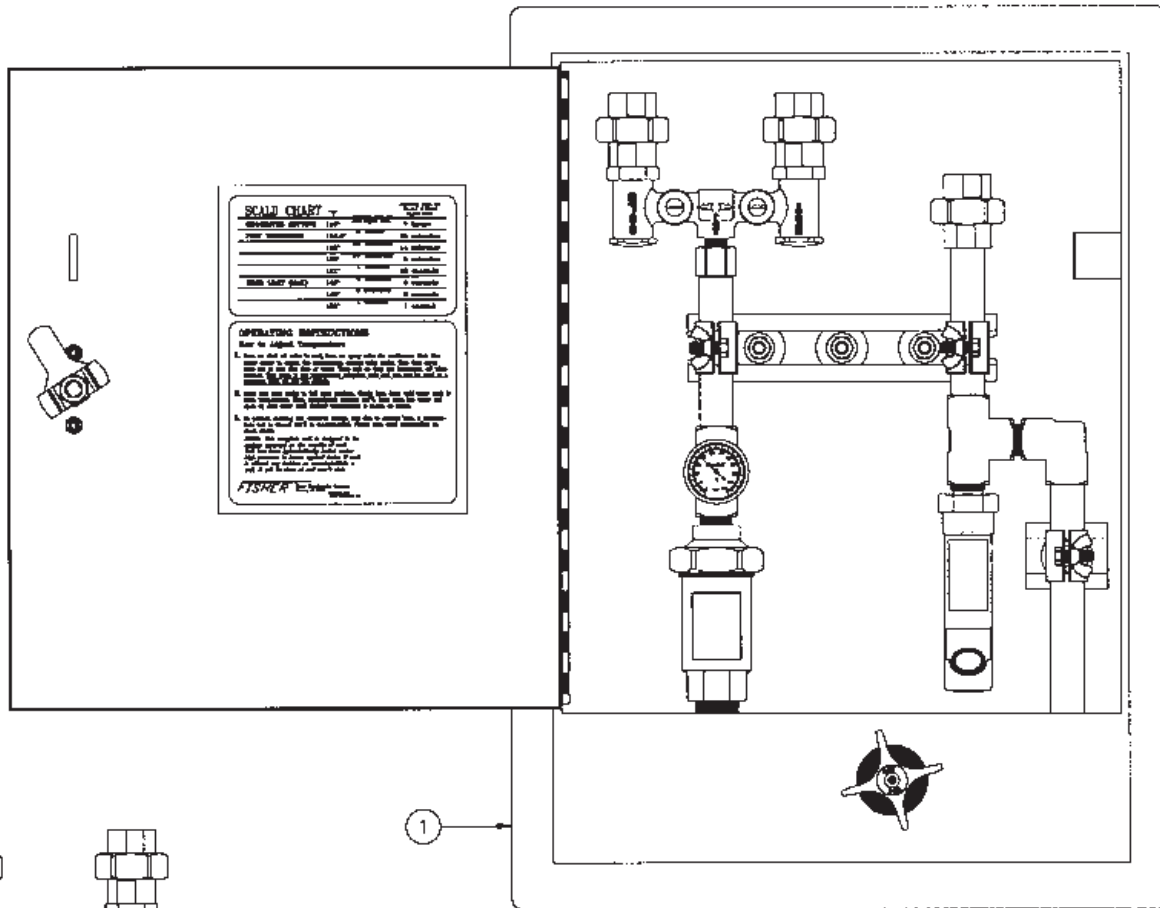
#29653 – Closed Reel Rinse, 35' hose with Spray Valve

All stainless steel construction, with ratchet lock and easy tension adjustment. Furnished with 3/8" ID hose rated at 300 PSI, 140°F water temperature. Reel includes an insulated hose handle and Spray Valve. The outside cover adjusts to meet any installation requirements, for wall, ceiling, deck, floor or under-counter applications. Water inlet is 1/2" Female NPT or 3/8" Female NPT.

#29645 – Closed Reel Rinse, 50' hose with Spray Valve

Same as #29653, except with 50' hose.

REEL RINSES



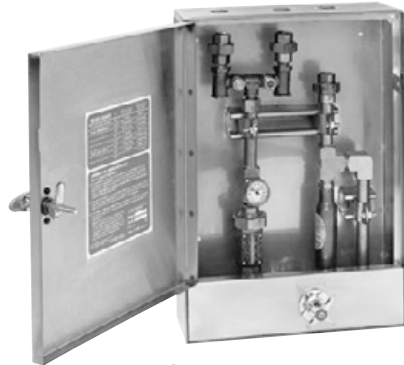
#1801 Consists of:

- 1 #1801-3004 – Stainless Steel Control Box
- 2 #2970-3 – Temperature Control Valve 1/2" (page 86, 96)
- 3 #3976-9000 – Thermometer
- 4 #2937-9000 – Accessory Water Silencer
- 5 #1803 – Backflow Preventer
- 6 #1802 – Shut-Off Control Valve Concealed



Arrow indicates
Flow direction

Top View of the valve (1802)
when assembled



#1801 – Reel Rinse Control Unit

A uniquely designed Reel Rinse Control Unit that combines the necessary reel rinse installation components into one complete system. Valves, gauges and connections are completely enclosed within a stainless steel cabinet giving the operator total tamper-resistant control.

Features include: Dual Check Backflow Preventor, Water Hammer Silencer, 90 degree Panel Lock, Padlock Hasp and Finger Latch. Constructed for heavy-duty commercial use, it's easily installed by any plumbing professional. It includes an adjustable trim flange (not shown) for flush mounting. Its innovative, compact design provides complete control for any commercial reel rinse system. Inlets and outlets are 1/2" Female NPT.



#29475 – Exposed Piping Reel Rinse Installation Kit

This kit is ideal for re-modeling and retro fitting Reel Rinse Units where the piping required for Reel Rinse Units is exposed on the wall. This kits consists of check valves, shut off and mixing valves and an Anti-Spill Pressure type Vacuum Breaker.



#28266 – Concealed Piping Reel Rinse Installation Kit

This kit is ideal for new construction where the piping required for Reel Rinse Units is concealed within the wall. This kit consists of check valves, shut off and mixing valves and an Anti-Spill Pressure type Vacuum Breaker.



#14540 – Anti-Spill Pressure Vacuum Breaker

1/2" inlet and outlet. Recommended for concealed piping installations.



#14443 – Anti-Spill Pressure Vacuum Breaker

1/2" inlet and outlet. Recommended for exposed piping installations.



#29688 – Reel Rinse Back Plate

A 3/16" thick stainless steel mounting plate designed for easy installation of ALL Fisher Reel Rinse Units. Includes all necessary components for safe Reel Rinse operation, such as: Hot and Cold control valve, shut off valve, Anti-Spill Pressure type Vacuum Breaker, and all piping. Comes completely assembled, water tested and ready for Reel Rinse mounting.



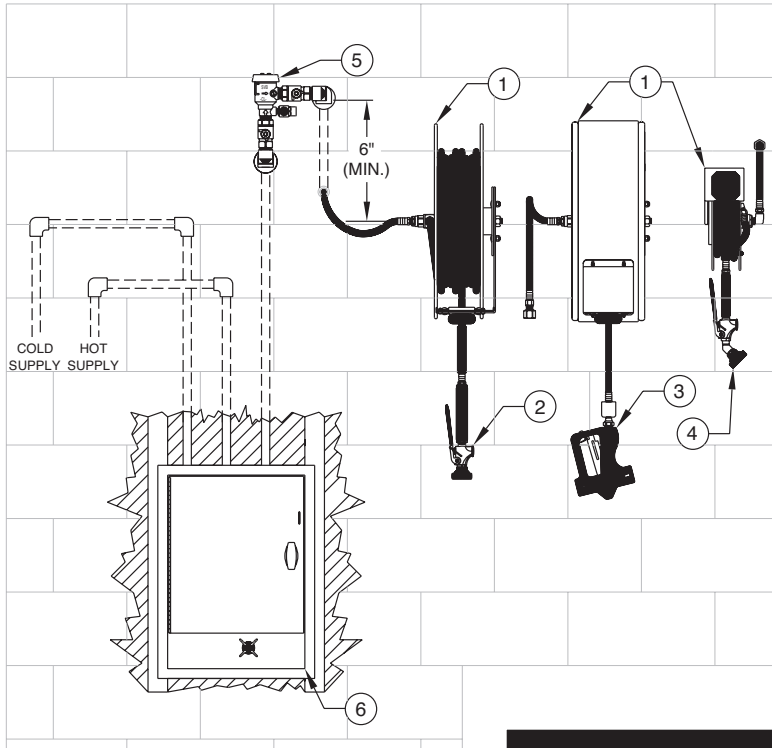
#28231 – Wall Mounted Reel Rinse Installation Kit

This unique kit allows for simple wall installation of Reel Rinse Units. This kit consist of exposed chrome piping with wall mounted hot and cold control valve, shut off valve, two wall brackets and an Anti-Spill Pressure type Vacuum Breaker. This kit comes complete as shown and measures 44" from Control Valve to Vacuum Breaker.

REEL RINSES

CONCEALED MOUNTING*

REEL RINSES

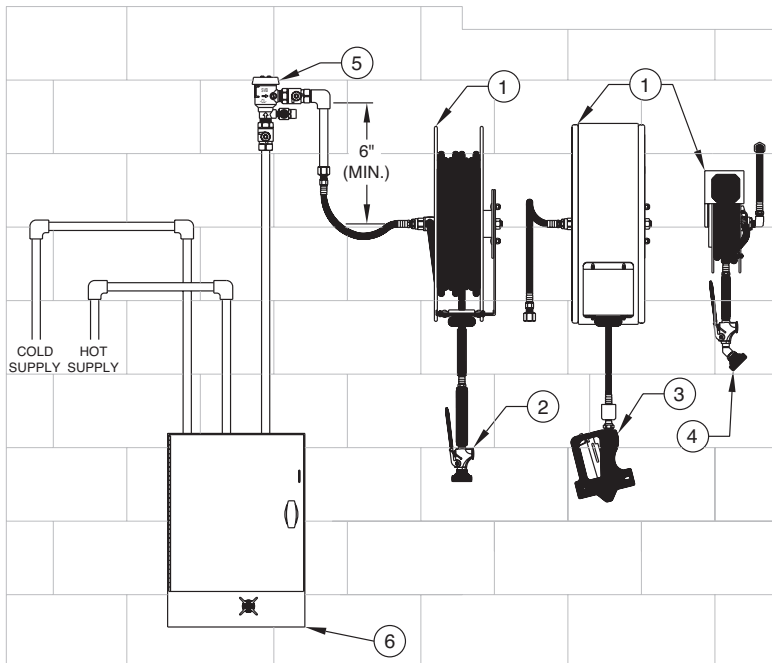


- ① Can be substituted by any of the following hose reels:
 #2980 - Exp RR 35' Hose Spray Valve
 #2984 - Under Counter RR 12' Hose Utility SV
 #2985 - SS Cvrdd RR Wall Mt 30' Hose Spray Valve
 #29262 - SS Exp RR 50' Hose Spray Gun
 #29599 - SS Exp RR 35' Hose Spray Gun
 #29602 - SS Exp RR 50' Hose Spray Valve
 #29610 - SS Exp RR 35' Hose Spray Valve
 #29629 - SS Cvrdd RR 50' Hose Spray Gun
 #29637 - SS Cvrdd RR 35' Hose Spray Gun
 #29645 - SS Cvrdd RR 50' Hose Spray Valve
 #29653 - SS Cvrdd RR 35' Hose Spray Valve
 #29661 - Under Counter RR 12' Hose Spray Valve
 #32026 - SS Cvrdd RR Ceiling Mt 30' Hose SV
- ② #2990 - Pro Spray Valve
- ③ #32840 - Spray Gun
- ④ #2920 - Utility Spray Valve
- ⑤ #14540 - Anti-Spill Vacuum Breaker 1/2" Wall
- ⑥ #1801 - Reel Rinse Control Box

==== Concealed Pipe

NOTE: CODES VARY. CHECK WITH YOUR LOCAL DEPARTMENT HAVING JURISDICTION REGARDING BACKFLOW PREVENTION.

EXPOSED MOUNTING*

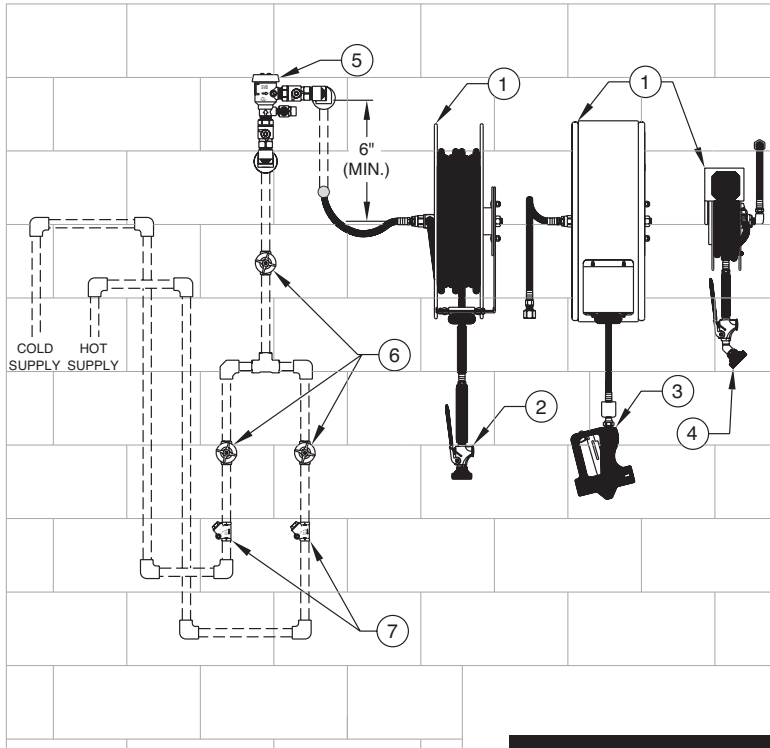


- ① Can be substituted by any of the following hose reels:
 #2980 - Exp RR 35' Hose Spray Valve
 #2984 - Under Counter RR 12' Hose Utility SV
 #2985 - SS Cvrdd RR Wall Mt 30' Hose Spray Valve
 #29262 - SS Exp RR 50' Hose Spray Gun
 #29599 - SS Exp RR 35' Hose Spray Gun
 #29602 - SS Exp RR 50' Hose Spray Valve
 #29610 - SS Exp RR 35' Hose Spray Valve
 #29629 - SS Cvrdd RR 50' Hose Spray Gun
 #29637 - SS Cvrdd RR 35' Hose Spray Gun
 #29645 - SS Cvrdd RR 50' Hose Spray Valve
 #29653 - SS Cvrdd RR 35' Hose Spray Valve
 #29661 - Under Counter RR 12' Hose Spray Valve
 #32026 - SS Cvrdd RR Ceiling Mt 30' Hose SV
- ② #2990 - Pro Spray Valve
- ③ #32840 - Spray Gun
- ④ #2920 - Utility Spray Valve
- ⑤ #14443 - Anti-Spill Vacuum Breaker 1/2" F X 1/2" F
- ⑥ #1801 - Reel Rinse Control Box

==== Exposed Pipe

* PIPES ARE NOT SUPPLIED BY FISHER MFG. CO.

CONCEALED MOUNTING*

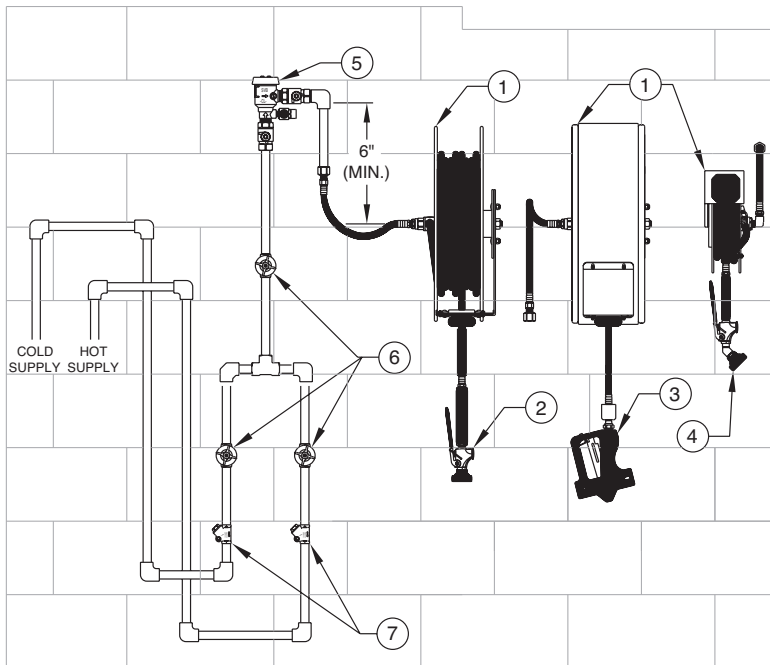


- ① Can be substituted by any of the following hose reels:
 #2980 - Exp RR 35' Hose Spray Valve
 #2984 - Under Counter RR 12' Hose Utility SV
 #2985 - SS Cvrdd RR Wall Mt 30' Hose Spray Valve
 #29262 - SS Exp RR 50' Hose Spray Gun
 #29599 - SS Exp RR 35' Hose Spray Gun
 #29602 - SS Exp RR 50' Hose Spray Valve
 #29610 - SS Exp RR 35' Hose Spray Valve
 #29629 - SS Cvrdd RR 50' Hose Spray Gun
 #29637 - SS Cvrdd RR 35' Hose Spray Gun
 #29645 - SS Cvrdd RR 50' Hose Spray Valve
 #29653 - SS Cvrdd RR 35' Hose Spray Valve
 #29661 - Under Counter RR 12' Hose Spray Valve
 #32026 - SS Cvrdd RR Ceiling Mt 30' Hose SV
 - ② #2990 - Pro Spray Valve
 - ③ #32840 - Spray Gun
 - ④ #2920 - Utility Spray Valve
 - ⑤ #14540 - Anti-Spill Vacuum Breaker 1/2" Wall
 - ⑥ #13676 - Control Valve Sngl 1/2"F X 1/2"F
 - ⑦ #2936-9000 - Check Valve 1/2"F X 1/2"F Brass
- ==== Concealed Pipe

NOTE: CODES VARY. CHECK WITH YOUR LOCAL DEPARTMENT HAVING JURISDICTION REGARDING BACKFLOW PREVENTION.

REEL RINSES

EXPOSED MOUNTING*



- ① Can be substituted by any of the following hose reels:
 #2980 - Exp RR 35' Hose Spray Valve
 #2984 - Under Counter RR 12' Hose Utility SV
 #2985 - SS Cvrdd RR Wall Mt 30' Hose Spray Valve
 #29262 - SS Exp RR 50' Hose Spray Gun
 #29599 - SS Exp RR 35' Hose Spray Gun
 #29602 - SS Exp RR 50' Hose Spray Valve
 #29610 - SS Exp RR 35' Hose Spray Valve
 #29629 - SS Cvrdd RR 50' Hose Spray Gun
 #29637 - SS Cvrdd RR 35' Hose Spray Gun
 #29645 - SS Cvrdd RR 50' Hose Spray Valve
 #29653 - SS Cvrdd RR 35' Hose Spray Valve
 #29661 - Under Counter RR 12' Hose Spray Valve
 #32026 - SS Cvrdd RR Ceiling Mt 30' Hose SV
 - ② #2990 - Pro Spray Valve
 - ③ #32840 - Spray Gun
 - ④ #2920 - Utility Spray Valve
 - ⑤ #14443 - Anti-Spill Vacuum Breaker 1/2"F X 1/2"F
 - ⑥ #17639 - Control Valve Sngl 1/2"F X 1/2"F
 - ⑦ #2936-9000 - Check Valve 1/2"F X 1/2"F
- ==== Exposed Pipe

* PIPES ARE NOT SUPPLIED BY FISHER MFG. CO.



#2932-8000 – Atmospheric Vacuum Breaker:
1/4" F inlet and outlet
#2932-8002 – Atmospheric Vacuum Breaker:
3/8" F inlet and outlet
#3990-8000 – Atmospheric Vacuum Breaker:
1/2" F inlet and outlet
#2935-8000 – Atmospheric Vacuum Breaker:
3/4" F inlet and outlet



#3990 – Atmospheric Vacuum Breaker/
Ledge Mount: 1/2" M inlet and outlet, 6"
#3991 – Deck Mount



#1700-8002 – Hose Bibb Vacuum Breaker:
vandal proof



#14443 – Pressure Vacuum Breaker: 1/2" F inlet
and outlet, anti-spill



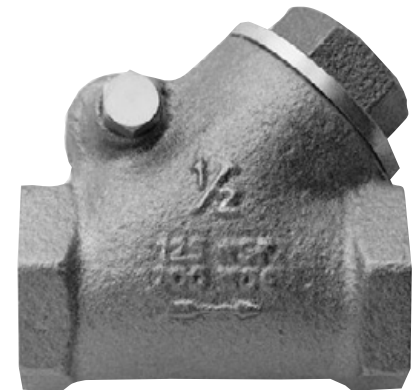
#14540 – Pressure Vacuum Breaker: 1/2" F,
wall mount, anti-spill



#2955-8000 – Back Flow Preventer:
3/8" F x 3/8" F w/ 3/8" close nipple
(fits between reel rinse hose and spray
valve handle)

#2542 – Back Flow Preventer:
1/4" M inlet x 1/4" F outlet

#2932-0002 – Back Flow Preventer:
3/4" -14F inlet x 3/4" -14M outlet (fits between
pre-rinse hose and spray valve handle)



#2936-9000 – Check Valve: 1/2" F

1/2" FAUCETS

- Kitchen Faucets
- Lavatory Faucets
- Self Closing Faucets
- Pot Fillers
- Kettle Fillers
- Service Sink Faucets
- Dipperwell Faucets

- 1 Stainless Steel Seats — guaranteed for the life of the faucet.
- 2 Standard Swiveling Seat Disks — pivot on stems so that there is no twisting against seats for longer seat washer life
- 3 Stainless Steel “Self-Locking” Seat Disk Screws.
- 4 International Color Coded Handle Identification Buttons — hot (red) and cold (blue) for safety.
- 5 Industry Standard Seats and Gaskets — easily obtainable; no need to order special parts.
- 6 Choice of Handles — lever, cross, wrist
- 7 “Easy Turn” Stem — exceeds Americans with Disabilities Act (ADA) regulations.
- 8 Clearly Marked Right and Left Stems.
- 9 ANSI/NSF 61, Section 9 Certified.



EZ Install Adapter

Simplifies Installation. Because there's NO need to remove sinks from the wall.

For use with 8" Adjustable Wall Units and 8" Backsplash Mount Units (p 50, 54, 60, and 62).



STEP 1 - Do NOT remove sink from wall. Locate connecting nuts.



STEP 2 - Remove old control valve by unthreading nut.



STEP 3 - Place new washer into fitting. Thread in FISHER EZ-Install Adapter.



STEP 4 - Thread new FISHER Control Body on to EZ-Install Adapters, and tighten. (Discard eccentrics/concentrics supplied with new units.)

Deck Mount Faucets – 1/2"

ALL FAUCETS 1/2" INLET



- #3310 – 8" c/c Deck Faucet: 6" swing spout
- #3311 – 8" c/c Deck Faucet: 8" swing spout
- #3312 – 8" c/c Deck Faucet: 10" swing spout
- #3313 – 8" c/c Deck Faucet: 12" swing spout
- #3314 – 8" c/c Deck Faucet: 14" swing spout
- #1627 – 8" c/c Deck Faucet: 16" swing spout



- #3510 – 4" c/c Deck Faucet: 6" swing spout
- #3511 – 4" c/c Deck Faucet: 8" swing spout
- #3512 – 4" c/c Deck Faucet: 10" swing spout
- #3513 – 4" c/c Deck Faucet: 12" swing spout
- #3514 – 4" c/c Deck Faucet: 14" swing spout
- #1635 – 4" c/c Deck Faucet: 16" swing spout



- #1686 – Widespread Deck Faucet: 6" swing spout
- #1694 – Widespread Deck Faucet: 8" swing spout
- #1708 – Widespread Deck Faucet: 10" swing spout
- #1716 – Widespread Deck Faucet: 12" swing spout
- #1724 – Widespread Deck Faucet: 14" swing spout
- #1759 – Widespread Deck Faucet: 16" swing spout

FAUCETS – 1/2"



- #3010 – Single Deck Faucet: 6" swing spout
- #3011 – Single Deck Faucet: 8" swing spout
- #3012 – Single Deck Faucet: 10" swing spout
- #3013 – Single Deck Faucet: 12" swing spout
- #3014 – Single Deck Faucet: 14" swing spout
- #1643 – Single Deck Faucet: 16" swing spout

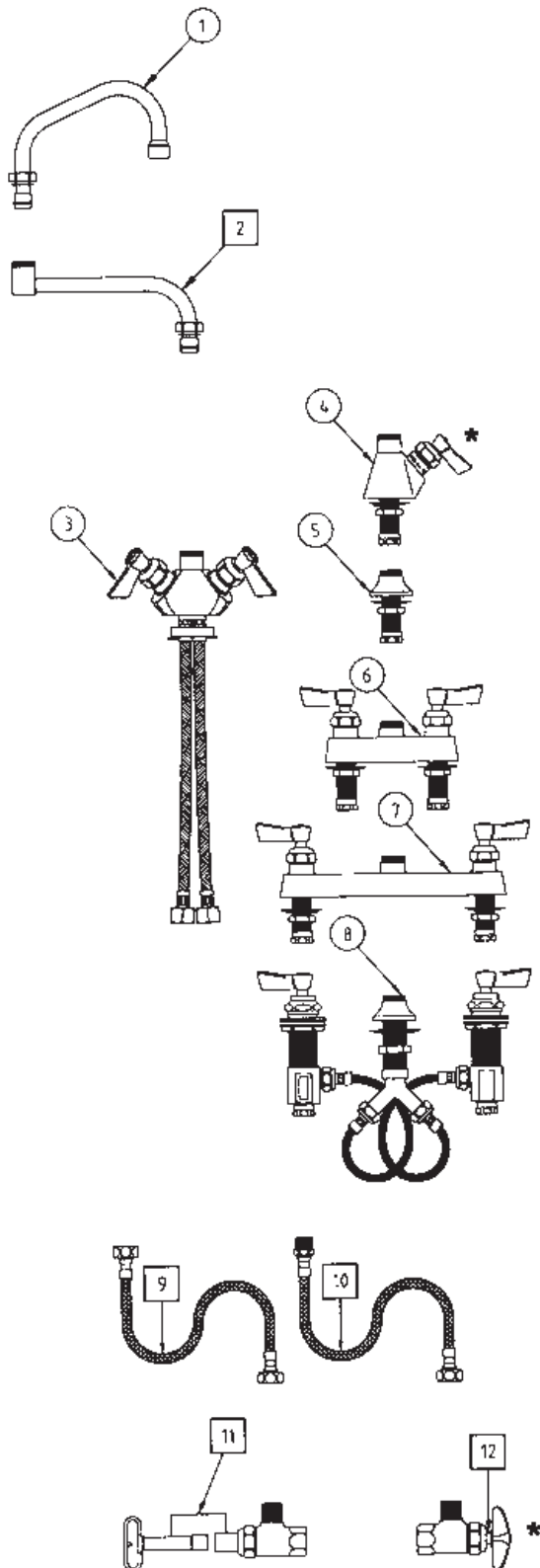


- #3110 – Single Deck Dual Control Faucet: 6" swing spout
- #3111 – Single Deck Dual Control Faucet: 8" swing spout
- #3112 – Single Deck Dual Control Faucet: 10" swing spout
- #3113 – Single Deck Dual Control Faucet: 12" swing spout
- #3114 – Single Deck Dual Control Faucet: 14" swing spout
- #3118 – Single Deck Dual Control Faucet: 16" swing spout



- #3810 – Single Deck Base: 6" swing spout
- #3811 – Single Deck Base: 8" swing spout
- #3812 – Single Deck Base: 10" swing spout
- #3813 – Single Deck Base: 12" swing spout
- #3814 – Single Deck Base: 14" swing spout
- #1678 – Single Deck Base: 16" swing spout

FISHER MANUFACTURING CO. ■ TOLL FREE: 800/421-6162 ■ FAX: 800/832-8238



- 1** #3960 – 6" Swing Spout (page 93, 103)
#3961 – 8" Swing Spout
#3962 – 10" Swing Spout
#3963 – 12" Swing Spout
#3964 – 14" Swing Spout
#3967 – 16" Swing Spout
Snap Ring #2002 and O-Rings #1600-5000 (page 103)
- 2** #3000-0003 – Double Joint Spout, Swivel, 7-1/4"LG (page 93)
#4000-0002 – Double Joint Spout, Swivel, 13"LG
Gasket and O-Rings (page 103)
- 3** #13064 – Single Deck Dual Control Valve Swivel, Inlet 1/2"F X 14"LG (page 84; replacement supply lines and mounting kit page 97)
Hot Stem RH Swivel Repair Kit #3000-0000 (page 100)
Cold Stem LH Swivel Repair Kit #3000-0001 (page 100)
- 4** #12815 – Single Deck Control Valve Swivel, Inlet 1/2"M X 2"LG (page 84; replacement supply lines and mounting kit page 97)
Stem LH Swivel Repair Kit #3000-0001 (page 100)
- 5** #3800 – Single Deck Base Swivel, Inlet 1/2"M X 2"LG (page 84; replacement supply lines and mounting kit page 97)
- 6** #3500 – 4" Deck Control Valve Swivel, Inlets 1/2"M X 2"LG (page 84; replacement supply lines and mounting kit page 97)
Hot Stem RH Swivel Repair Kit #3000-0000 (page 100)
Cold Stem LH Swivel Repair Kit #3000-0001 (page 100)
- 7** #3300 – 8" Deck Control Valve Swivel, Inlets 1/2"M X 2"LG (page 84)
Hot Stem RH Swivel Repair Kit #3000-0000 (page 100)
Cold Stem LH Swivel Repair Kit #3000-0001 (page 100)
- 8** #2232 – Widespread Control Valve Swivel, Inlets 1/2"M (page 84)
Hot Stem RH Swivel Repair Kit #3000-0000 (page 100)
Cold Stem LH Swivel Repair Kit #3000-0001 (page 100)
- 9** #10022 – Supply Line 1/2"F X 1/2"F X 36"LG
- 10** #10006 – Supply Line 1/2"M X 1/2"F X 36"LG
- 11** #1792 – Angle Stop w/ Key 1/2"M X 1/2"F (page 86)
- 12** #1790-1 – Angle Stop w/ Cross Handle 1/2"M X 1/2"F (page 86)

Standard Components

Optional Components

* Optional handles available (page 92, 102)
Vandal Resistant Kit available (page 93)



- #3250 – 8" adj. Wall Faucet: 6" swing spout
- #3251 – 8" adj. Wall Faucet: 8" swing spout
- #3252 – 8" adj. Wall Faucet: 10" swing spout
- #3253 – 8" adj. Wall Faucet: 12" swing spout
- #3254 – 8" adj. Wall Faucet: 14" swing spout
- #9102 – 8" adj. Wall Faucet: 16" swing spout



- #13234 – 8" c/c Backsplash Faucet: 6" swing spout
- #13242 – 8" c/c Backsplash Faucet: 8" swing spout
- #13250 – 8" c/c Backsplash Faucet: 10" swing spout
- #13269 – 8" c/c Backsplash Faucet: 12" swing spout
- #13277 – 8" c/c Backsplash Faucet: 14" swing spout
- #13218 – 8" c/c Backsplash Faucet: 16" swing spout



- #3610 – 4" c/c Backsplash Faucet: 6" swing spout
- #3611 – 4" c/c Backsplash Faucet: 8" swing spout
- #3612 – 4" c/c Backsplash Faucet: 10" swing spout
- #3613 – 4" c/c Backsplash Faucet: 12" swing spout
- #3614 – 4" c/c Backsplash Faucet: 14" swing spout
- #1783 – 4" c/c Backsplash Faucet: 16" swing spout

FAUCETS – 1/2"



- #3710 – Single Wall Faucet: 6" swing spout
- #3711 – Single Wall Faucet: 8" swing spout
- #3712 – Single Wall Faucet: 10" swing spout
- #3713 – Single Wall Faucet: 12" swing spout
- #3714 – Single Wall Faucet: 14" swing spout
- #1805 – Single Wall Faucet: 16" swing spout



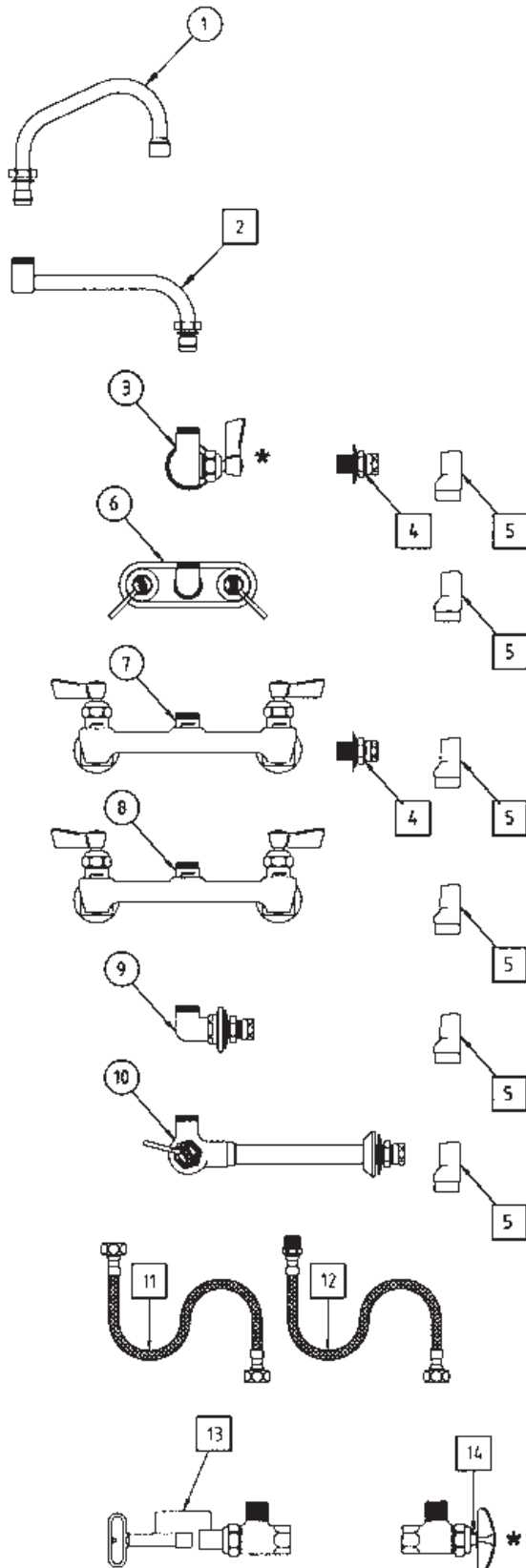
- #3910 – Single Backsplash Base: 6" swing spout
- #3911 – Single Backsplash Base: 8" swing spout
- #3912 – Single Backsplash Base: 10" swing spout
- #3913 – Single Backsplash Base: 12" swing spout
- #3914 – Single Backsplash Base: 14" swing spout
- #1813 – Single Backsplash Base: 16" swing spout



- #4750 – Chinese Range Faucet: 10" swing spout

FISHER

Wall/Backsplash Mount Faucets – 1/2"



- 1 **#3960** – 6" Swing Spout (page 93, 103)
#3961 – 8" Swing Spout
#3962 – 10" Swing Spout
#3963 – 12" Swing Spout
#3964 – 14" Swing Spout
#3967 – 16" Swing Spout
 Snap Ring **#2002** and O-Rings **#1600-5000** (page 103)
- 2 **#3000-0003** – Double Joint Spout, Swivel, 7-1/4" LG (page 93)
#4000-0002 – Double Joint Spout, Swivel, 13" LG
 Gasket and O-Rings (page 103)
- 3 **#3700** – Single Wall Control Valve Swivel, Inlet 1/2" F (page 85)
 Cold Stem RH Swivel Repair Kit **#3000-0000** (page 100)
- 4 **#2200-0000** – 1/2" X 1-1/4" Nipple w/ Locknut, Washer and Slip Joint Kit (page 92)
- 5 **#2400-2103** – 1/2" Wall Adapter Elbow (page 92)
- 6 **#3600** – 4" Backsplash Control Valve Swivel, Inlet 1/2" M X 1" LG (page 85)
 Hot Stem LH Swivel Repair Kit **#3000-0001** (page 100)
 Cold Stem RH Swivel Repair Kit **#3000-0000** (page 100)
- 7 **#3200** – 8" Adj. Wall control Valve Swivel, Inlets 1/2" F Eccentrics (page 85, 103)
 Hot Stem RH Swivel Repair Kit **#3000-0000** (page 100)
 Cold Stem LH Swivel Repair Kit **#3000-0001** (page 100)
- 8 **#13153** – 8" C/C BS Control Valve Swivel, Inlets 1/2" M X 1" LG Concentrics (page 85, 103)
 Hot Stem RH Swivel Repair Kit **#3000-0000** (page 100)
 Cold Stem LH Swivel Repair Kit **#3000-0001** (page 100)
- 9 **#3900** – Single Backsplash Base Swivel, Inlets 1/2" M X 2" LG (page 85)
- 10 **#4750-0000** – Chinese Range Control Valve, Inlet 1/2" M X 2" LG Shank 8-1/4" Outlet to Wall (page 85)
 Stem RH Swivel Repair Kit **#3000-0000** (page 100)
- 11 **#10022** – Supply Line 1/2" F X 1/2" F X 36" LG
- 12 **#10006** – Supply Line 1/2" M X 1/2" F X 36" LG
- 13 **#1792** – Angle Stop w/ Key 1/2" M X 1/2" F (page 86)
- 14 **#1790-1** – Angle Stop w/ Cross Handle 1/2" M X 1/2" F (page 86)

Standard Components

Optional Components

* Optional handles available (page 92, 102)
 Vandal Resistant Kit available (page 93)

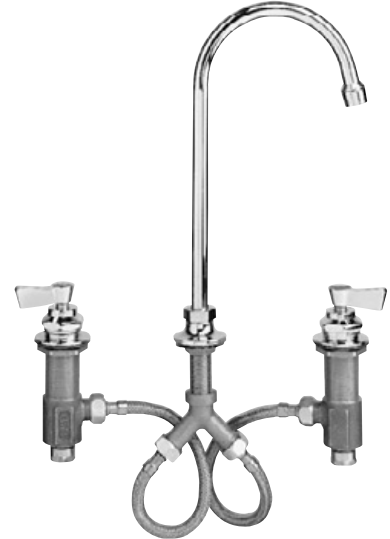
FAUCETS – 1/2"



#3315 – 8" c/c Deck Faucet: 12" swivel gooseneck spout
#3316 – 8" c/c Deck Faucet: 12" rigid gooseneck spout
#1821 – 8" c/c Deck Faucet: 6" swivel gooseneck spout
#1848 – 8" c/c Deck Faucet: 6" rigid gooseneck spout



#3515 – 4" c/c Deck Faucet: 12" swivel gooseneck spout
#3516 – 4" c/c Deck Faucet: 12" rigid gooseneck spout
#3525 – 4" c/c Deck Faucet: 6" swivel gooseneck spout
#3526 – 4" c/c Deck Faucet: 6" rigid gooseneck spout



#1899 – Widespread Deck Faucet: 12" swivel gooseneck spout
#1902 – Widespread Deck Faucet: 12" rigid gooseneck spout
#1910 – Widespread Deck Faucet: 6" swivel gooseneck spout
#1778 – Widespread Deck Faucet: 6" rigid gooseneck spout

FAUCETS – 1/2"



#3015 – Single Deck Faucet: 12" swivel gooseneck spout
#3016 – Single Deck Faucet: 12" rigid gooseneck spout
#1856 – Single Deck Faucet: 6" swivel gooseneck spout
#3026 – Single Deck Faucet: 6" rigid gooseneck spout



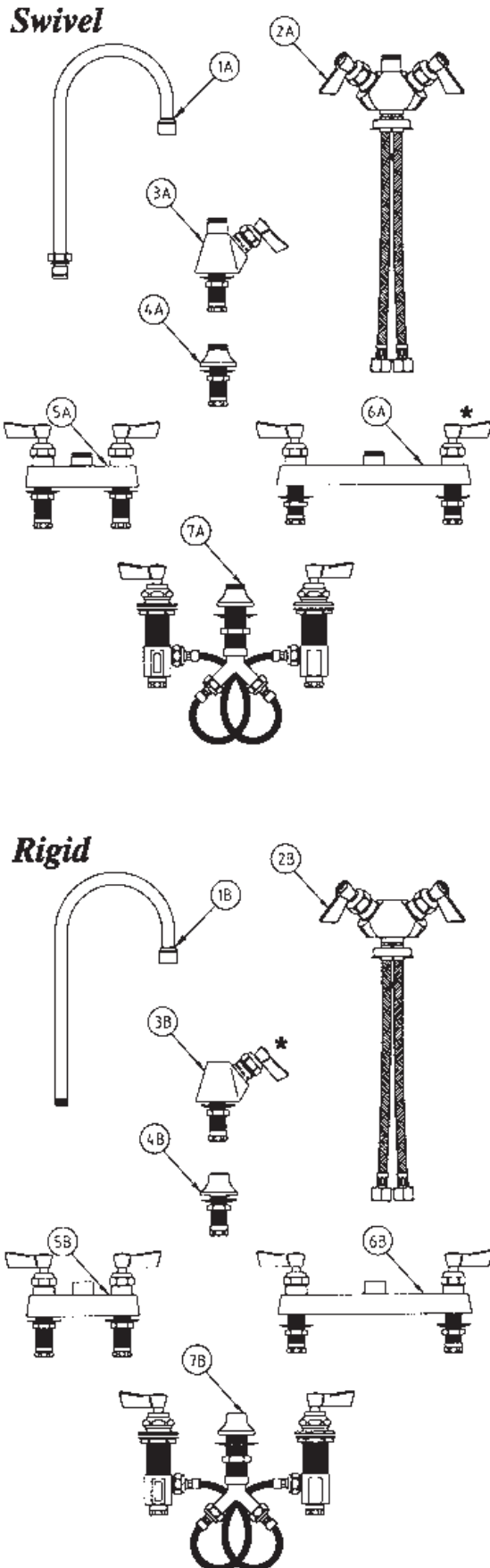
#3115 – Single Deck Dual Control Faucet: 12" swivel gooseneck spout
#3116 – Single Deck Dual Control Faucet: 12" rigid gooseneck spout
#1872 – Single Deck Dual Control Faucet: 6" swivel gooseneck spout
#3126 – Single Deck Dual Control Faucet: 6" rigid gooseneck spout



#3815 – Single Deck Base: 12" swivel gooseneck spout
#3816 – Single Deck Base: 12" rigid gooseneck spout
#1929 – Single Deck Base: 6" swivel gooseneck spout
#1937 – Single Deck Base: 6" rigid gooseneck spout

FISHER

Deck Mount Gooseneck Faucets – 1/2"

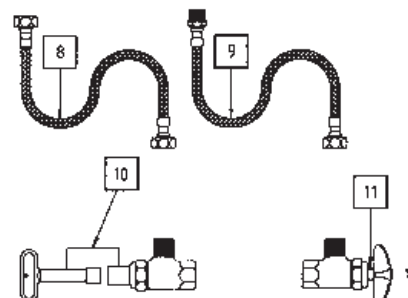


- 1A** #3965 – 12" Swivel Gooseneck Spout (page 93)
#3968 – 6" Swivel Gooseneck Spout
Gasket & O-Rings (page 103)
- 1B** #3966 – 12" Rigid Gooseneck Spout (page 93)
#3969 – 6" Rigid Gooseneck Spout
- 2A** #13064 – Single Deck Dual Control Valve Swivel, Inlet 1/2" F X 14" LG (page 84; replacement supply lines and mounting kit page 97)
- 2B** #10529 – Single Deck Dual Control Valve Rigid, Inlet 1/2" F X 14" LG (page 84; replacement supply lines and mounting kit page 97)
Hot Stem RH Swivel Repair Kit #3000-0000 (page 100)
Cold Stem LH Swivel Repair Kit #3000-0001 (page 100)
- 3A** #12815 – Single Deck Control Valve Swivel, Inlet 1/2" M X 2" LG (page 84; replacement supply lines and mounting kit page 97)
- 3B** #12890 – Single Deck Control Valve Rigid, Inlet 1/2" M X 2" LG (page 84; replacement supply lines and mounting kit page 97)
Stem LH Swivel Repair Kit #3000-0001 (page 100)
- 4A** #3800 – Single Deck Base Swivel, Inlet 1/2" M X 2" LG (page 84; replacement supply lines and mounting kit page 97)
- 4B** #2903 – Single Deck Base Rigid, Inlet 1/2" M X 2" LG (page 84; replacement supply lines and mounting kit page 97)
- 5A** #3500 – 4" Deck control Valve Swivel, Inlets 1/2" M x 2" LG (page 84)
- 5B** #2500 – 4" Deck Control Valve Rigid, Inlets 1/2" M X 2" LG (page 84)
Hot Stem RH Swivel Repair Kit #3000-0000 (page 100)
Cold Stem LH Swivel Repair Kit #3000-0001 (page 100)
- 6A** #3300 – 8" Deck Control Valve Swivel, Inlets 1/2" M X 2" LG (page 84)
- 6B** #2300 – 8" Deck Control Valve Rigid, Inlets 1/2" M X 2" LG (page 84)
Hot Stem RH Swivel Repair Kit #3000-0000 (page 100)
Cold Stem LH Swivel Repair Kit #3000-0001 (page 100)
- 7A** #2232 – Widespread Control Valve Swivel, Inlets 1/2" M (page 84)
- 7B** #2259 – Widespread Control Valve Rigid, Inlets 1/2" M (page 84)
Hot Stem RH Swivel Repair Kit #3000-0000 (page 100)
Cold Stem LH Swivel Repair Kit #3000-0001 (page 100)
- 8** #10022 – Supply Line 1/2" F X 1/2" F X 36"
- 9** #10006 – Supply Line 1/2" M X 1/2" F X 36"
- 10** #1792 – Angle Stop w/ Key 1/2" M X 1/2" F (page 86)
- 11** #1790 – Angle Stop w/ Cross Handle 1/2" M X 1/2" F (page 86)

Standard Components

Optional Components

* Optional handles available (page 92, 102)
Vandal Resistant Kit available (page 93)



FAUCETS – 1/2"



#3255 – 8" Adj. Wall Faucet: 12" swivel gooseneck spout
 #3256 – 8" Adj. Wall Faucet: 12" rigid gooseneck spout
 #1945 – 8" Adj. Wall Faucet: 6" swivel gooseneck spout
 #1953 – 8" Adj. Wall Faucet: 6" rigid gooseneck spout



#13285 – 8" c/c Backsplash Faucet: 12" swivel gooseneck spout
 #13307 – 8" c/c Backsplash Faucet: 12" rigid gooseneck spout
 #13226 – 8" c/c Backsplash Faucet: 6" swivel gooseneck spout
 #13293 – 8" c/c Backsplash Faucet: 6" rigid gooseneck spout



#3615 – 4" c/c Backsplash Faucet: 12" swivel gooseneck spout
 #3616 – 4" c/c Backsplash Faucet: 12" rigid gooseneck spout
 #1996 – 4" c/c Backsplash Faucet: 6" swivel gooseneck spout
 #2003 – 4" c/c Backsplash Faucet: 6" rigid gooseneck spout

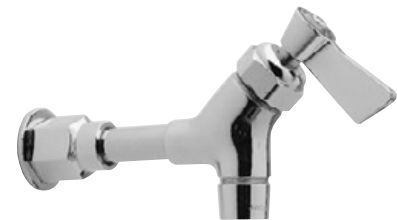
FAUCETS – 1/2"



#3715 – Single Wall Faucet: 12" swivel gooseneck spout
 #3716 – Single Wall Faucet: 12" rigid gooseneck spout
 #2046 – Single Wall Faucet: 6" swivel gooseneck spout
 #2054 – Single Wall Faucet: 6" rigid gooseneck spout

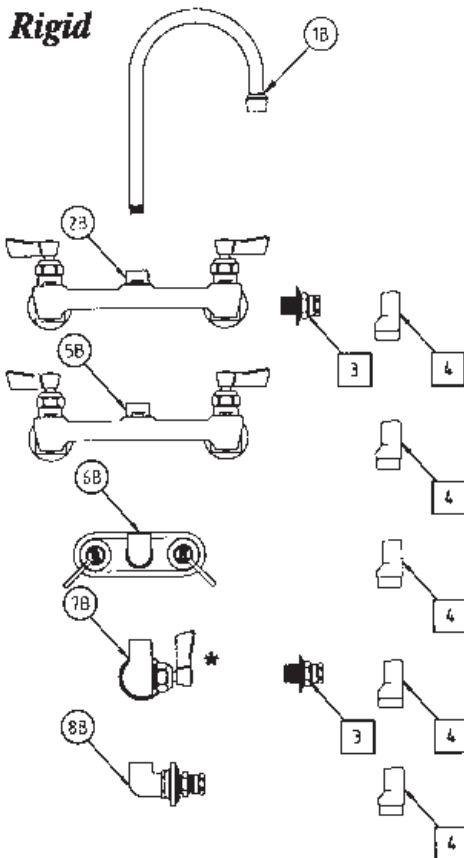
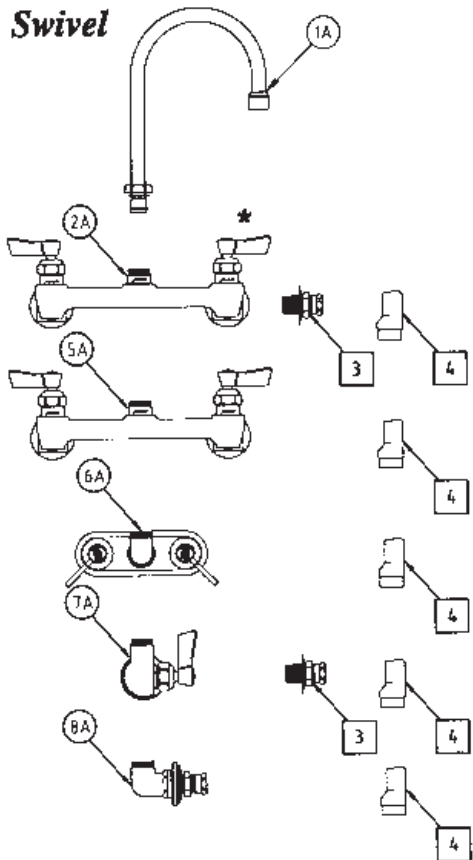


#3915 – Single Backsplash Base: 12" swivel gooseneck spout
 #3916 – Single Backsplash Base: 12" rigid gooseneck spout
 #2038 – Single Backsplash Base: 6" swivel gooseneck spout
 #9131 – Single Backsplash Base: 6" rigid gooseneck spout



#12882 – Single Wall Faucet

FISHER Wall/Backsplash Mount Gooseneck Faucets – 1/2"

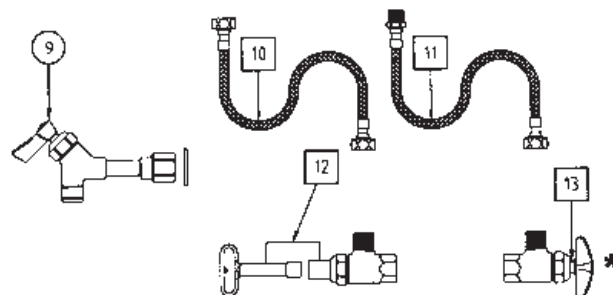


- 1A #3965 – 12" Swivel Gooseneck Spout (page 93)
#3968 – 6" Swivel Gooseneck Spout
Gasket and O-Rings (page 103)
- 1B #3966 – 12" Rigid Gooseneck Spout (page 93)
#3969 – 6" Rigid Gooseneck Spout
- 2A #3200 – 8" Adj. Wall Control Valve Swivel, Inlet 1/2"F Eccentrics (page 85, 103)
- 2B #2200 – 8" Adj. Wall Control Valve Rigid, Inlet 1/2"F Eccentrics (page 85, 103)
Hot Stem RH Swivel Repair Kit #3000-0000 (page 100)
Cold Stem LH Swivel Repair Kit #3000-0001 (page 100)
- 3 #2200-0000 – 1/2" X 1-1/4" Nipple w/ Locknut, Washer and Slip Joint Kit (page 92)
- 4 #2400-2103 – 1/2" Wall Adapter Elbow (page 92)
- 5A #13153 – 8" C/C BS Control Valve Swivel, Inlet 1/2"M X 1"LG Concentrics (page 85, 103)
- 5B #13188 – 8" C/C BS Control Valve Rigid, Inlet 1/2"M X 1"LG Concentrics (page 85, 103)
Hot Stem RH Swivel Repair Kit #3000-0000 (page 100)
Cold Stem LH Swivel Repair Kit #3000-0001 (page 100)
- 6A #3600 – 4" Backsplash Control Valve Swivel, Inlets 1/2"M X 1"LG (page 85)
- 6B #2600 – 4" Backsplash Control Valve Rigid, Inlets 1/2"M X 1"LG (page 85)
Hot Stem LH Swivel Repair Kit #3000-0001 (page 100)
Cold Stem RH Swivel Repair Kit #3000-0000 (page 100)
- 7A #3700 – Single Wall Control Valve Swivel, Inlet 1/2"F X 2"LG (page 85)
- 7B #2700 – Single Wall Control Valve Rigid, Inlet 1/2"F X 2"LG (page 85)
Stem RH Swivel Repair Kit #3000-0000 (page 100)
- 8A #3900 – Single Backsplash Base Swivel, Inlet 1/2"M X 2"LG (page 85)
- 8B #3900-0002 – Single Backsplash Base Rigid, Inlets 1/2"M X 2"LG (page 85)
- 9 #12882 – Single Wall Faucet (page 85)
Stem RH Swivel Kit #3000-0000 (page 100)
- 10 #10022 – Supply Line 1/2"F X 1/2"F X 36"LG
- 11 #10006 – Supply Line 1/2"M X 1/2"F X 36"LG
- 12 #1792 – Angle Stop w/ Key 1/2"M X 1/2"F (page 86)
- 13 #1790-1 – Angle Stop w/ Cross Handle 1/2"M X 1/2"F (page 86)

Standard Components

Optional Components

* Optional handles available (page 92, 102)
Vandal Resistant Kit available (page 93)



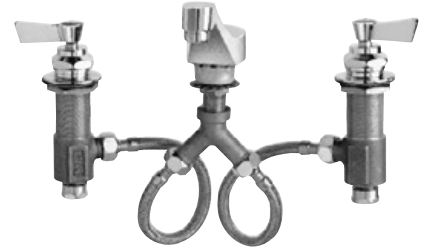
FAUCETS – 1/2"



#1731 - Single Deck Faucet: right hand stem
#1731-1 - Single Deck Faucet: left hand stem



#1744 - 4" c/c Deck Faucet



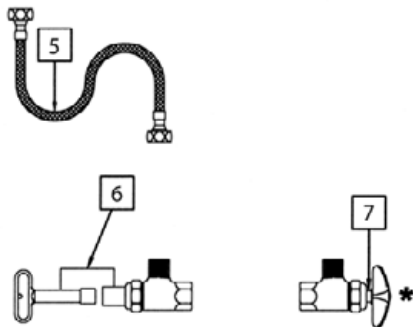
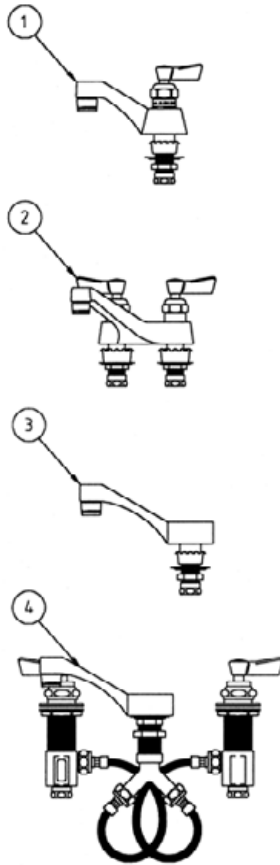
#1773-1 - Widespread Deck Faucet

LAVATORY FAUCETS - 1/2"



#1771-0003 - Single Deck Spout

FISHER MANUFACTURING CO. ■ TOLL FREE: 800/421-6162 ■ FAX: 800/832-8238



- 1 #1731 – Single Deck Faucet, Inlets 1/2" M X 2" LG
Stem RH Swivel Repair Kit #3000-0000 (page 100)
#1731-1 – Single Deck Faucet
Stem LH Swivel Repair Kit #3000-0001 (page 100)
- 2 #1744 – 4" C/C Deck Faucet, Inlets 1/2" M X 2" LG
Hot Stem RH Swivel Repair Kit #3000-0000 (page 100)
Cold Stem LH Swivel Repair Kit #3000-0001 (page 100)
Finishing Plug #12793 (page 56)
- 3 #1771-0003 – Single Deck Spout, Inlet 1/2" M X 2" LG
- 4 #1773-1 – Widespread Deck Spout, Inlets 1/2" M
Hot Stem RH Swivel Repair Kit #3000-0000 (page 100)
Cold Stem LH Swivel Repair Kit #3000-0001 (page 100)
- 5 #10022 – Supply Line 1/2" F X 1/2" F X 36" LG
- 6 #1792 – Angle Stop w/ Key 1/2" M X 1/2" F (page 86)
- 7 #1790-1 – Angle Stop w/ Cross Handle 1/2" M X 1/2" F (page 86)

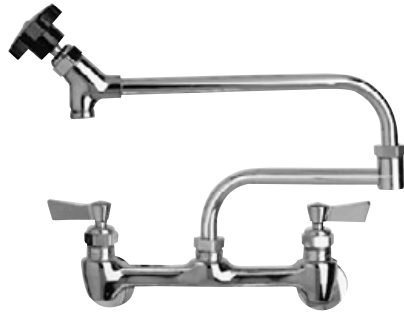
Standard Components

Optional Components

- * Optional handles available (page 92, 102)
- Vandal Resistant Kit available (page 93)

FISHER

FISHER

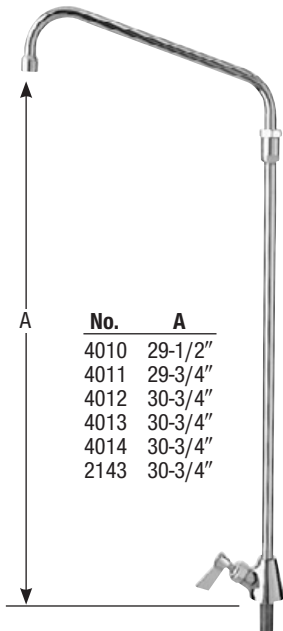


#4230 – 8" Adj. Wall Pot Filler: 18" control
DJ swing spout
#4231 – 8" Adj. Wall Pot Filler: 24" control
DJ swing spout



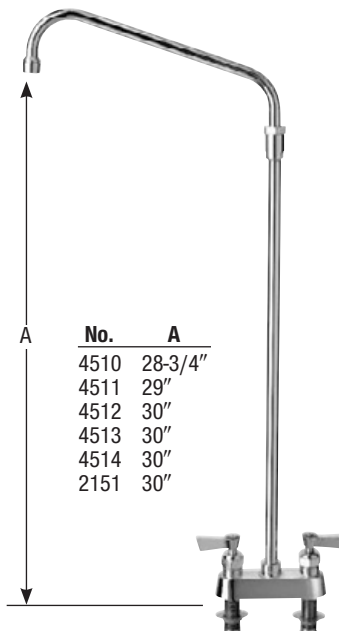
#4730 – Single Wall Pot Filler: 18" control
DJ swing spout
#4731 – Single Wall Pot Filler: 24" control
DJ swing spout

POT/KETTLE FILLER – 1/2"



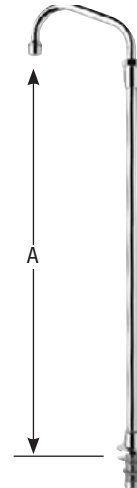
No.	A
4010	29-1/2"
4011	29-3/4"
4012	30-3/4"
4013	30-3/4"
4014	30-3/4"
2143	30-3/4"

#4010 – Single Deck Kettle Filler: 6" swing spout
#4011 – Single Deck Kettle Filler: 8" swing spout
#4012 – Single Deck Kettle Filler: 10" swing spout
#4013 – Single Deck Kettle Filler: 12" swing spout
#4014 – Single Deck Kettle Filler: 14" swing spout
#2143 – Single Deck Kettle Filler: 16" swing spout



No.	A
4510	28-3/4"
4511	29"
4512	30"
4513	30"
4514	30"
2151	30"

#4510 – 4" c/c Deck Kettle Filler: 6" swing spout
#4511 – 4" c/c Deck Kettle Filler: 8" swing spout
#4512 – 4" c/c Deck Kettle Filler: 10" swing spout
#4513 – 4" c/c Deck Kettle Filler: 12" swing spout
#4514 – 4" c/c Deck Kettle Filler: 14" swing spout
#2151 – 4" c/c Deck Kettle Filler: 16" swing spout

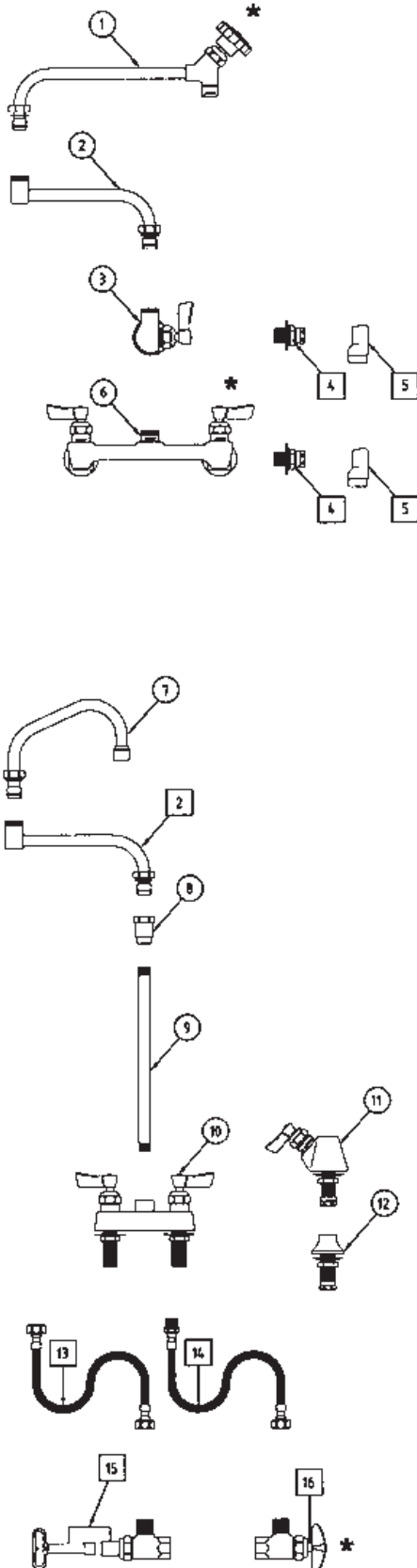


No.	A
2178	27-3/4"
2186	28"
2194	29"
2208	29"
2216	29"
2224	29"

#2178 – Single Deck Base Kettle Filler: 6" swing spout
#2186 – Single Deck Base Kettle Filler: 8" swing spout
#2194 – Single Deck Base Kettle Filler: 10" swing spout
#2208 – Single Deck Base Kettle Filler: 12" swing spout
#2216 – Single Deck Base Kettle Filler: 14" swing spout
#2224 – Single Deck Base Kettle Filler: 16" swing spout

FISHER

Pot and Kettle Filler Faucets – 1/2"



- 1 #4000-0001 – Swivel Control Spout 11" (page 93)
#11010 – Swivel Control Spout 8" (page 93)
Stem RH Swivel Repair Kit **3000-0011** (page 100)
- 2 #3000-0003 – Double Joint Spout, Swivel 7-1/4"LG (page 93)
#4000-0002 – Double Joint Spout, Swivel 13"LG
- 3 #3700 – Single Deck Control Valve Swivel, Inlet 1/2" F X 1" LG (page 85)
Stem RH Swivel Repair Kit **3000-0000** (page 100)
- 4 #2200-0000 – 1/2" X 1-1/4" Nipple w/ Locknut, Washer and Slip Joint Kit (page 92)
- 5 #2400-2103 – 1/2" Wall Adapter Elbow (page 92)
- 6 #3200-CV – 8" Adj. Wall Control Valve Swivel, Inlets 1/2" F Eccentrics (page 85, 103)
Hot Stem RH Check Repair Kit **2000-0004** (page 100)
Cold Stem LH Check Repair Kit **2000-0005** (page 100)
- 7 #3960 – 6" Swing Spout (page 93, 103)
#3961 – 8" Swing Spout
#3962 – 10" Swing Spout
#3963 – 12" Swing Spout
#3964 – 14" Swing Spout
#3967 – 16" Swing Spout
Snap Ring #2002 and O-Rings #1600-5000 (page 103)
- 8 #4000-3300 – Adapter 3/8" F X SVLM PC (page 93)
- 9 #2927-4300 21" Riser
Other length risers available (page 90)
- 10 #2500 – 4" Deck Control Valve Rigid, Inlets 1/2" M X 2" LG (page 84)
Hot Stem RH Check Repair Kit #3000-0000 (page 100)
Cold Stem LH Check Repair Kit #3000-0001 (page 100)
- 11 #12890 – Single Deck Control Valve Rigid, Inlet 1/2" M X 2" LG (page 84)
Stem LH Swivel Repair Kit #3000-0001 (page 100)
- 12 #2903 – Single Deck Base Rigid, Inlet 1/2" M (page 84)
- 13 #10022 – Supply Line 1/2" F X 1/2" F X 36" LG
- 14 #10006 – Supply Line 1/2" M X 1/2" F X 36" LG
- 15 #1792 – Angle Stop w/ Key 1/2" M X 1/2" F (page 86)
- 16 #1790-1 – Angle Stop w/ Cross Handle 1/2" M X 1/2" F (page 86)

Standard Components

Optional Components

* Optional handles available (page 92, 102)
Vandal Resistant Kit available (page 93)

POT/KETTLE FILLER – 1/2"



#8253 – Service Sink Faucet: long spout and vacuum breaker, polished chrome



#2445 – Service Sink Faucet: short spout and vacuum breaker, polished chrome. Replaces #8256.



#29556 – Sill Faucet: 1/2" F inlet, 3/4" hose thread outlet, vacuum breaker.

SERVICE SINK FAUCETS



#8261 – Service Sink Faucet: eccentric stops, long spout and vacuum breaker, polished chrome



#2453 – Service Sink Faucet: eccentric stops, short spout and vacuum breaker, polished chrome

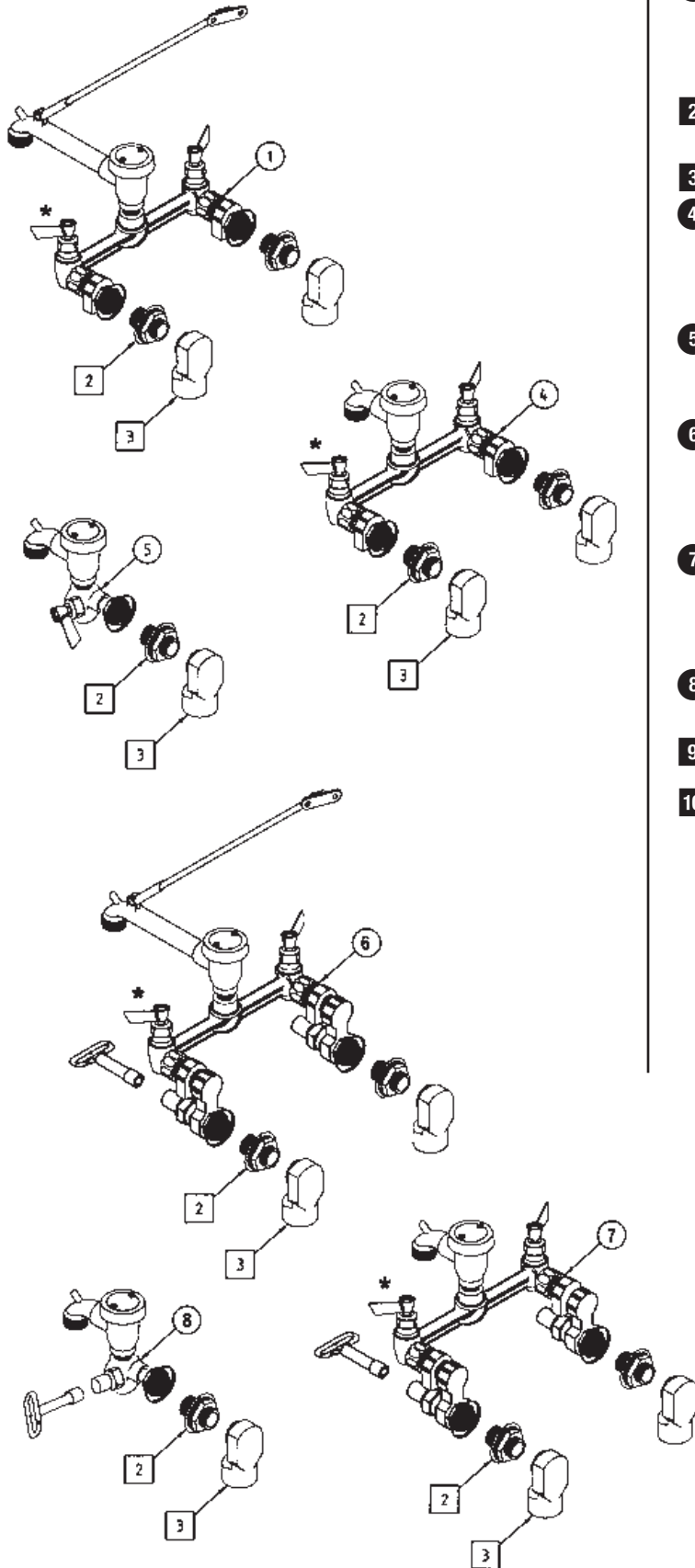


#29548 – Sill Faucet: 1/2" F inlet, 3/4" hose thread outlet, key handle, vacuum breaker.

FISHER MANUFACTURING CO. ■ TOLL FREE: 800/421-6162 ■ FAX: 800/832-8238

FISHER

Service Sink Faucets – 1/2"



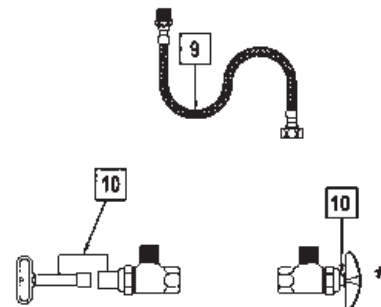
- 1 #8253 – 8" Adj. Service Sink Faucet, Inlets 1/2" F Eccentrics (page 96, 103)
Hot Stem RH Check Repair Kit #2000-0004 (page 100)
Cold Stem LH Check Repair Kit #2000-0005 (page 100)
- 2 #2200-0000 – 1/2" X 1-1/4" Nipple w/ Locknut, Washer and Slip Joint Kit (page 92)
- 3 #2400-2103 – 1/2" Wall Adapter Elbow (page 92)
- 4 #2445 – 8" Adj. Service Sink Faucet, Inlet 1/2" F Eccentrics (page 96, 103)
Hot Stem RH Check Repair Kit #2000-0004 (page 100)
Cold Stem LH Check Repair Kit #2000-0005 (page 100)
- 5 #29556 – Sill Faucet: 1/2" F inlet, 3/4" hose thread outlet, vacuum breaker.
Stem RH Swivel Repair Kit #3000-0000 (page 100)
- 6 #8261 – 8" Adj. Service Sink Faucet, Inlets 1/2" F Eccentrics Stops Includes #1790-8001 Tool Key Stop (page 96, 103)
Hot Stem RH Check Repair Kit #2000-0004 (page 100)
Cold Stem LH Check Repair Kit #2000-0005 (page 100)
- 7 #2453 – 8" Adj. Service Sink Faucet, Inlets 1/2" F Eccentrics Stops Includes #1790-8001 Tool Key Stop (page 96, 103)
Hot Stem RH Check Repair Kit #2000-0004 (page 100)
Cold Stem LH Check Repair Kit #2000-0005 (page 100)
- 8 #29548 – Sill Faucet: 1/2" F inlet, 3/4" hose thread outlet, key handle, vacuum breaker. Includes #1790-8001 Tool Key Stop
- 9 #10006 – Supply Line 1/2" M X 1/2" F X 36" LG
- 10 #1792 – Angle Stop w/ Key 1/2" M X 1/2" F (page 86)
#1790-1 – Angle Stop w/ Cross Handle 1/2" M X 1/2" F (page 86)

Standard Components

Optional Components

* Optional handles available (page 92, 102)
Vandal Resistant Kit available (page 93)

SERVICE SINK FAUCETS





#2905 – Trough Inlet Fitting: 1/2" inlet



#3042 – Dipperwell Faucet: 3/8" shank
(Repair Stem Kit #3042-0000)



#3043 – Dipperwell Sink

DIPPERWELL FITTINGS



#2906 – Water Inlet Fitting: 1/2" inlet



6544-0000 – 1-1/2" x 4" Tailpiece



#3041 – Combination Dipperwell Faucet,
Sink and 1-1/2" x 4" Tailpiece

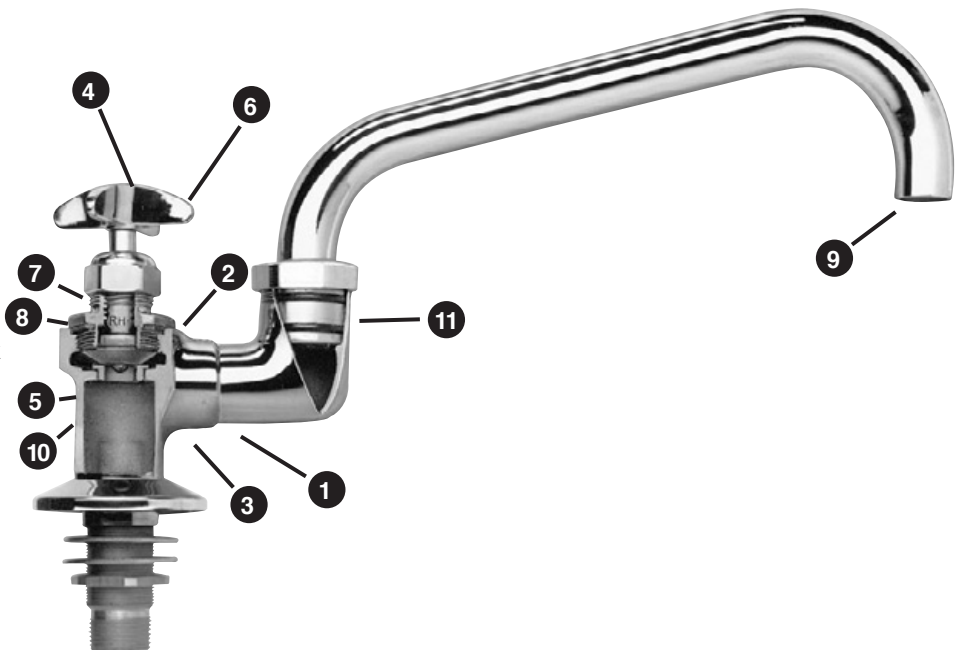
FISHER MANUFACTURING CO. ■ TOLL FREE: 800/421-6162 ■ FAX: 800/832-8238

3/4" FAUCETS

- Kitchen
- Turn down
- Pot Filler
- Hose Pot Filler w/ shut off
- Hose Pot Filler w/o shut off

Fisher has designed a line of 3/4" Pot Sink Faucets to save time on filling large pot sinks. The complete line of these time-saving faucets are shown as follows.

- 1 Stainless Steel Seats — guaranteed for the life of the faucet.
- 2 Standard Swiveling Seat Disks — pivot on stems so that there is no twisting against seats for longer seat washer life.
- 3 Stainless Steel "Self-Locking" Seat Disk Screws.
- 4 International Color Coded Handle Identification Buttons — hot (red) and cold (blue) for safety.
- 5 Industry Standard Seats and Gaskets — easily obtainable; no need to order special parts.
- 6 Choice of Handles — lever, cross, wrist.
- 7 "Easy Turn" Stem — exceeds Americans with Disabilities Act (ADA) regulations.
- 8 Clearly Marked Right and Left Stems.
- 9 1" Diameter Spout without Aerator — ensures full flow.
- 10 Full 3/4" Seat Opening.
- 11 Dual "O" Ring Spout Collar — ensures positive seal.
- 12 ANSI/NSF 61, Section 9 Certified.



Fast Filling Flow Rates Using 3/4" Supply Lines

Water Pressure	One Control Open	Both Controls Open
20 PSI	13.2 GPM	20.6 GPM
40 PSI	17.6 GPM	27.3 GPM
60 PSI	22.3 GPM	33.8 GPM
80 PSI	24.0 GPM	41.3 GPM



#5012 – 3/4" Single Deck Faucet: 10" swing spout
 #5014 – 3/4" Single Deck Faucet: 14" swing spout



#5312 – 3/4" Deck Faucet: 10" swing spout
 #5314 – 3/4" Deck Faucet: 14" swing spout



#5010 – 3/4" Backsplash Faucet: 3" turn down spout



#5011 – 3/4" adj. Wall Faucet: 3" turn down spout



#5712 – 3/4" Single Wall Faucet: 10" swing spout
 #5714 – 3/4" Single Wall Faucet: 14" swing spout



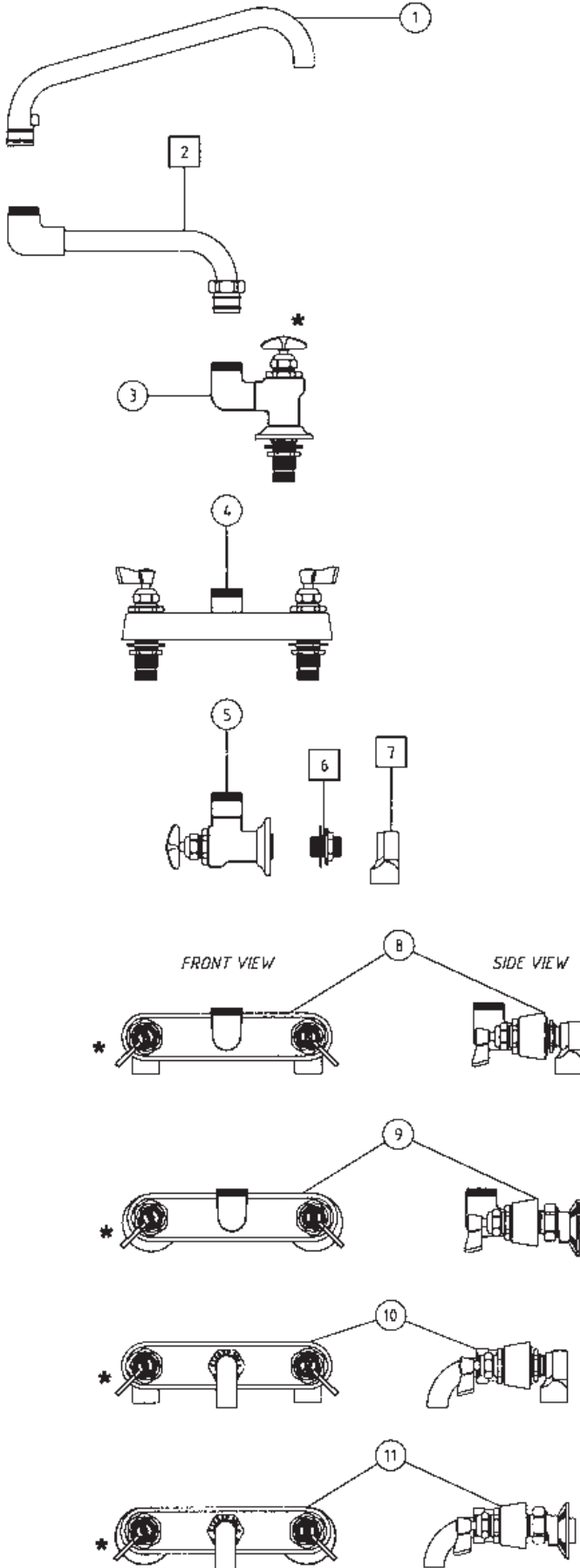
#5412 – 3/4" Backsplash Faucet: 10" swing spout
 #5414 – 3/4" Backsplash Faucet: 14" swing spout



#5212 – 3/4" adj. Wall Faucet: 10" swing spout
 #5214 – 3/4" adj. Wall Faucet: 14" swing spout

FAUCETS – 3/4"

FISHER MANUFACTURING CO. ■ TOLL FREE: 800/421-6162 ■ FAX: 800/832-8238



- 1** #5000-0020 – 7" Swing Spout (page 95)
#5000-0001 – 10" Swing Spout
#5000-0002 – 14" Swing Spout
Includes Spout O-Rings #5000-5001 (page 107)
- 2** #5000-0003 – 10" DJ Sub-Assembly (page 95)
Includes Spout O-Rings #5000-5001
- 3** #5000 – Single Deck Control Valve, Inlet 3/4" M X 2" LG (page 94)
Stem RH Swivel Repair Kit #5000-0010 (page 101)
- 4** #5300 – 8" Deck Control Valve, Inlets 3/4" M X 2" LG (page 94)
Hot Stem RH Swivel Repair Kit #5000-0010 (page 101)
Cold Stem LH Swivel Repair Kit #5000-0011 (page 101)
- 5** #5700 – Single Wall Control Valve, Inlet 3/4" F (page 94)
Stem RH Swivel Repair Kit #5000-0010 (page 101)
- 6** #10219 – Nipple w/ Locknut and Washer (page 92)
- 7** #5000-2103 – 3/4" F Elbow Close (page 92)
- 8** #5400 – 8" Backsplash Control Valve, Inlets 3/4" F Elbows (page 94)
Hot Stem LH Swivel Repair Kit #5000-0011 (page 101)
Cold Stem RH Swivel Repair Kit #5000-0010 (page 101)
- 9** #5200 – 8" Adj. Wall Control Valve, Inlets 3/4" F Eccentrics (page 94, 106)
Hot Stem LH Swivel Repair Kit #5000-0011 (page 101)
Cold Stem RH Swivel Repair Kit #5000-0010 (page 101)
- 10** #5010 – 8" C/C Backsplash Control Valve with 3" Turndown Spout, Inlets 3/4" F Elbows
Hot Stem LH Swivel Repair Kit #5000-0011 (page 101)
Cold Stem RH Swivel Repair Kit #5000-0010 (page 101)
- 11** #5011 – Adj. Wall Control Valve with 3" Turndown Spout, Inlets 3/4" F Eccentrics
Hot Stem LH Swivel Repair Kit #5000-0011 (page 101)
Cold Stem RH Swivel Repair Kit #5000-0010 (page 101)

Standard Components

Optional Components

* Optional handles available (page 92, 102)
Vandal Resistant Kit available (page 93)

FILLKING Water Service Station



1 #14087 — Complete FillKing System

The Fisher FillKing System. FillKing features a unique, single station design to deliver the ultimate in plumbing convenience and high volume kettle filling performance. It completes tough kitchen tasks quickly and easily...from filling high capacity vessels to washing down work areas.

Dependable Water Service Anytime, Anywhere.

Specifically designed for use in high-volume commissaries, schools, correctional institutions, B&I feeders and the military, the FillKing provides complete water accessibility and operator versatility in even the most hostile environments. Convenient supply lines allow water to be drawn from remote water source locations within the kitchen.

Durable, Unitized Design.

The FillKing is a heavy-duty tower with a powerful Fisher 3/4" pot and kettle filler and 1/2" utility spray faucet plumbed into it. As a completely unitized fixture, the FillKing dramatically improves water service efficiency and eliminates the hazards involved in high-volume filling jobs. And with unmatched filling performance of 40 GPM, the FillKing increases productivity while reducing time, labor and plumbing equipment costs.

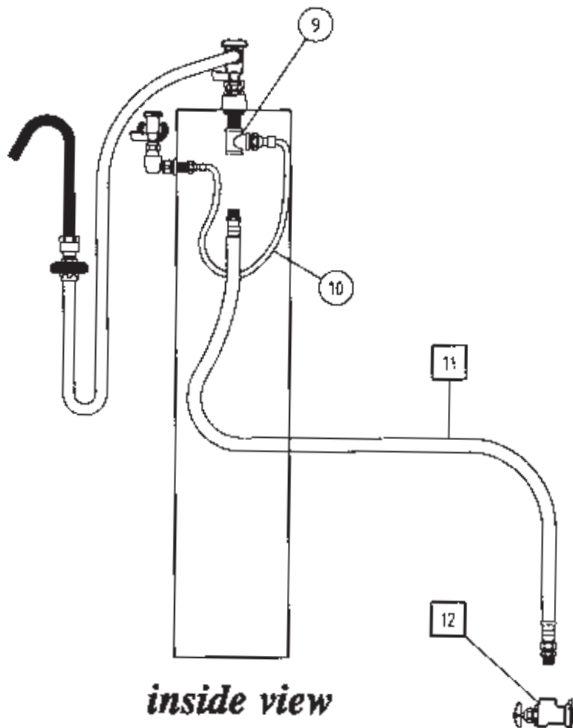
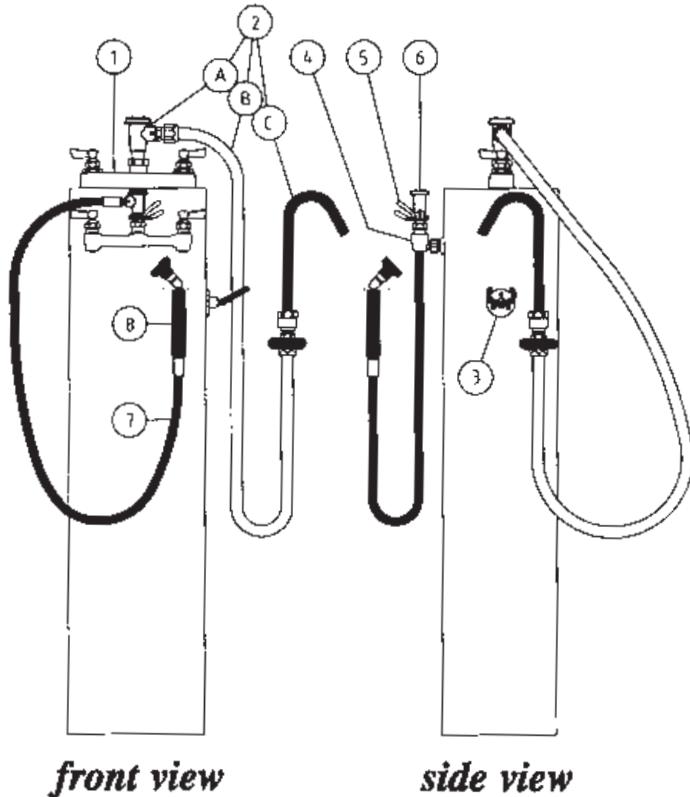
Design Benefits...

- ▶ **Heavy-Duty, Stainless Steel Construction.**
- ▶ **Vandal-Resistant** — withstands hostile environments.
- ▶ **3/4" Rear-Connect Supply** — allows water connection from the wall, floor, UDS or ceiling.
- ▶ **Integral 3/4" Pot & Kettle Filler (#5340) with 6' hose (#5340) and 1/2" Utility Spray (#2260) with 7' hose for versatility.**
- ▶ **Fully Plumbed** — includes built-in backflow prevention.
- ▶ **Four Point Tamperproof Mounting. Radius corners for safety.**
- ▶ **Unsurpassed filling speed of 40GPM — increases productivity; decreases time, labor and costs.**
- ▶ **Moves water service out front for convenience and safety.**

FISHER MANUFACTURING CO. ■ TOLL FREE: 800/421-6162 ■ FAX: 800/832-8238

FISHER

Water Service Station



3/4" Pot Filler Standard Components:

- ① #5300 – 8" Deck Control Valve, Inlets 3/4" M X 2" LG (page 94)
Hot Stem RH Swivel Repair Kit #5000-0010 (page 101)
Cold Stem LH Swivel Repair Kit #5000-0011 (page 101)
- ② #5008 – Pot Filler 3/4" with 72" Hose & Vacuum Breaker (page 95)
Consists of:
 - Ⓐ #10480 – Adapter Swivel SA VB 3/4" (page 90, 96, 107)
 - Ⓑ #5008-0002 – 3/4" Pot Filler Hose 72" (page 107)
 - Ⓒ #10499 – Spout Gooseneck 12" Swivel (page 107)
- ③ #2907 – Wall Hook SA (page 91)

1/2" Faucet Standard Components:

- ④ #13153 – 8" C/C Backsplash Control Valve Swivel, Inlets 1/2" M X 1" LG Concentrics (page 85, 103)
Hot Stem RH Swivel Repair Kit #3000-0000 (page 100)
Cold Stem LH Swivel Repair Kit #3000-0001 (page 100)
- ⑤ #2943 – Clamp Type Pipe Mount Hook (page 91)
- ⑥ #2932 – Adapter Swivel SA Vacuum Breaker 1/4" (page 90, 96, 103)
- ⑦ #12211 – Hose 84"
Other hose length available (page 87)
- ⑧ #2946 – Utility Spray Head with Handle 3/4"-14" (page 88)
- ⑨ #14869 – Tee 3/4" BRS (page 107)
- ⑩ #14877 – Supply Line 1/2" F X 1/2" M X 12" LG (page 92)
- ⑪ #14230 – Hose Connector 3/4" M X 3/4" M X 84" LG (page 92)
- ⑫ #14249 – Angle Stop w/ Cross Handle 3/4" F X 3/4" F (page 86)

Ⓝ Standard Components

Ⓜ Optional Components

* Optional handles available (page 92, 102)
Vandal Resistant Kit available (page 93)

WATER SERVICE STATION



#5030 – 3/4" Single Deck Faucet: 20" control
DJ swing spout



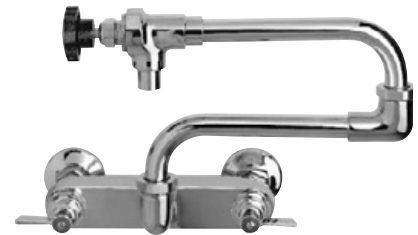
#2275 – 3/4" Deck Faucet: 20" control
DJ swing spout



#5730 – 3/4" Single Wall Faucet: 20" control
DJ swing spout



#2283 – 3/4" Backsplash Faucet: 20" control
DJ swing spout



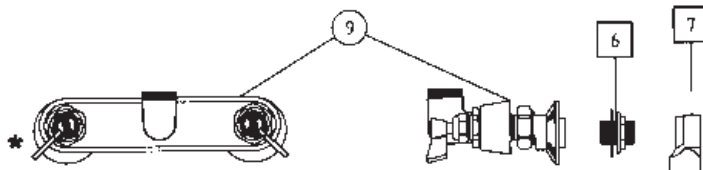
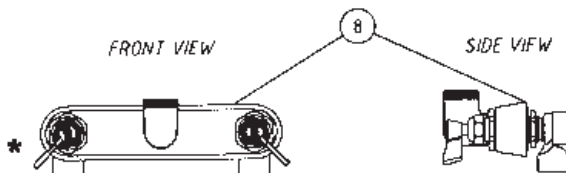
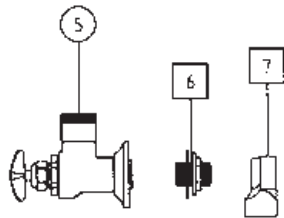
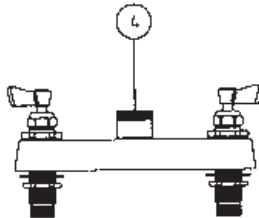
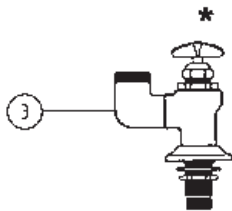
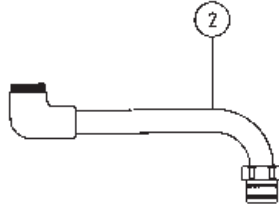
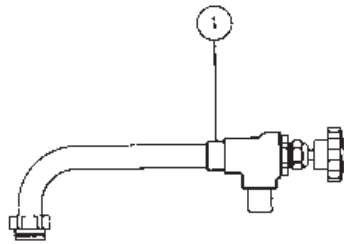
#2267 – 3/4" adj. Wall Faucet: 20" control
DJ swing spout

POT FILLERS – 3/4"

FISHER MANUFACTURING CO. ■ TOLL FREE: 800/421-6162 ■ FAX: 800/832-8238

FISHER

Pot Filler Faucets – 3/4"



- 1** #5071 – 10" Control Swing Spout (page 95)
Includes Spout O-Rings #5000-5001
- 2** #5000-0003 – 10" DJ Sub-Assembly (page 95)
Includes Spout O-Rings #5000-5001
- 3** #5000 – Single Deck Control Valve, Inlet 3/4" M X 2" LG (page 94)
Stem RH Swivel Repair Kit #5000-0010 (page 101)
- 4** #5300-CV – 8" Deck Control Valve, Inlets 3/4" M X 2" LG (page 94)
Hot Stem RH Check Repair Kit #5000-0012 (page 101)
Cold Stem LH Check Repair Kit #5000-0013 (page 101)
- 5** #5700 – Single Wall Control Valve, Inlet 3/4" F (page 94)
Stem RH Swivel Repair Kit #5000-0010 (page 101)
- 6** #10219 – Nipple w/ Locknut and Washer (page 92)
- 7** #5000-2103 – 3/4" F Elbow Close (page 92)
- 8** #5400-CV – 8" Backsplash Control Valve, Inlets 3/4" F Elbows (page 94)
Hot Stem LH Check Repair Kit #5000-0013 (page 101)
Cold Stem RH Check Repair Kit #5000-0012 (page 101)
- 9** #5200-CV – 8" Adj. Wall Control Valve, Inlets 3/4" F Eccentrics (page 94, 106)
Hot Stem LH Check Repair Kit #5000-0013 (page 101)
Cold Stem RH Check Repair Kit #5000-0012 (page 101)

Standard Components

Optional Components

* Optional handles available (page 92, 102)
Vandal Resistant Kit available (page 93)

Pot Filler Faucets – 3/4"

ALL FAUCETS 3/4" INLET



#5040 – 3/4" Single Deck Pot Filler: vacuum breaker, wall hook



#5340 – 3/4" Deck Pot Filler: vacuum breaker, wall hook



#5740 – 3/4" Single Wall Pot Filler: vacuum breaker, wall hook



#5440 – 3/4" Backsplash Pot Filler: vacuum breaker, wall hook



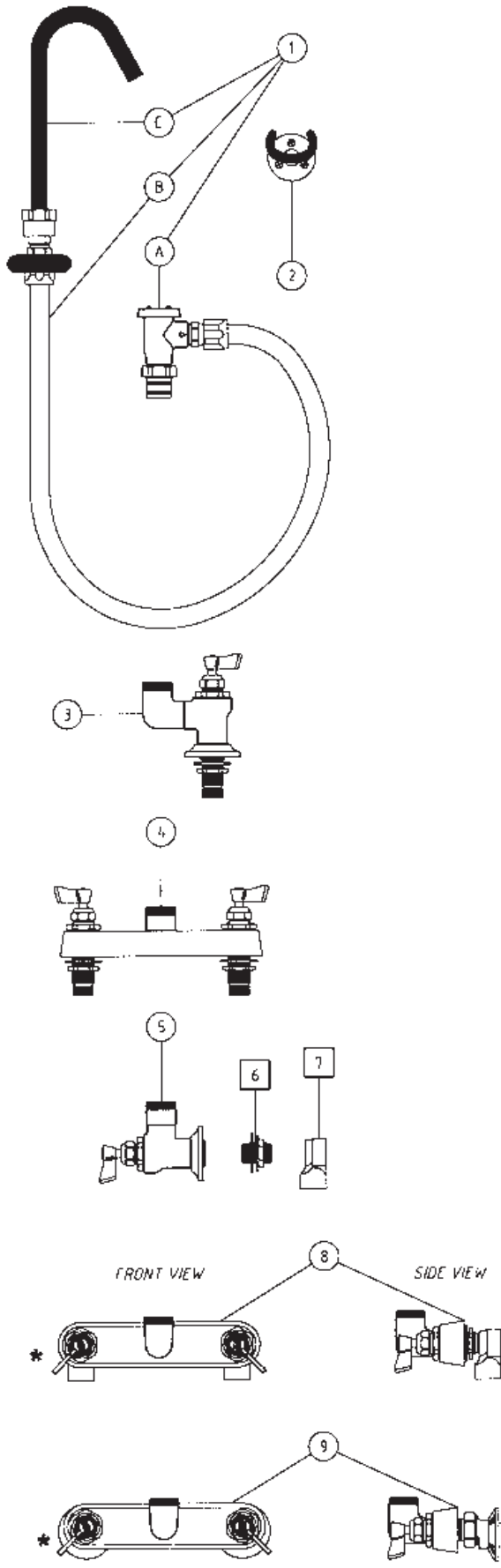
#5240 – 3/4" adj. Wall Pot Filler: vacuum breaker, wall hook

POT FILLERS – 3/4"

FISHER MANUFACTURING CO. ■ TOLL FREE: 800/421-6162 ■ FAX: 800/832-8238

FISHER

Pot Filler Faucets – 3/4"



- 1 #5008 – Pot Filler 3/4" with 72" Hose & Vacuum Breaker (page 95)
Consists of:
 - A #10480 – Adapter Swivel SA VB 3/4" (page 90, 96, 107)
 - B #5008-0002 – 3/4" Pot Filler Hose 72" (page 107)
 - C #10499 – Spout Gooseneck 12" Swivel (page 107)
- 2 #2907 – Wall Hook SA (page 91)
- 3 #5000 – Single Deck Control Valve, Inlet 3/4" M X 2" LG (page 95)
Stem RH Swivel Repair Kit #5000-0010 (page 101)
- 4 #5300 – 8" Deck Control Valve, Inlets 3/4" M X 2" LG (page 95)
Hot Stem RH Swivel Repair Kit #5000-0010 (page 101)
Cold Stem LH Swivel Repair Kit #5000-0011 (page 101)
- 5 #5700 – Single Wall Control Valve, Inlet 3/4" F (page 95)
Stem RH Swivel Repair Kit #5000-0010 (page 101)
- 6 #10219 – Nipple w/ Locknut and Washer (page 92)
- 7 #5000-2103 – 3/4" F Elbow Close (page 92)
- 8 #5400 – 8" Backsplash Control Valve, Inlets 3/4" F Elbows (page 94)
Hot Stem LH Swivel Repair Kit #5000-0011 (page 101)
Cold Stem RH Swivel Repair Kit #5000-0010 (page 101)
- 9 #5200 – 8" Adj. Wall Control Valve, Inlets 3/4" F Eccentrics (page 94, 106)
Hot Stem LH Swivel Repair Kit #5000-0011 (page 101)
Cold Stem RH Swivel Repair Kit #5000-0010 (page 101)

Standard Components

Optional Components

* Optional handles available (page 92, 102)
Vandal Resistant Kit available (page 93)

POT FILLERS – 3/4"

FISHER

FISHER

FISHER

FISHER

DRAIN KING™

Stainless Steel. Only where it counts.

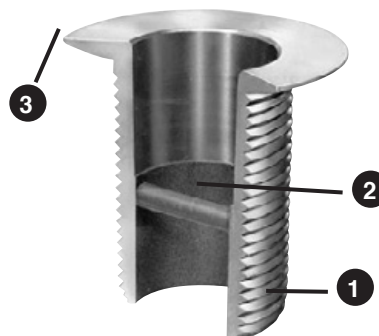
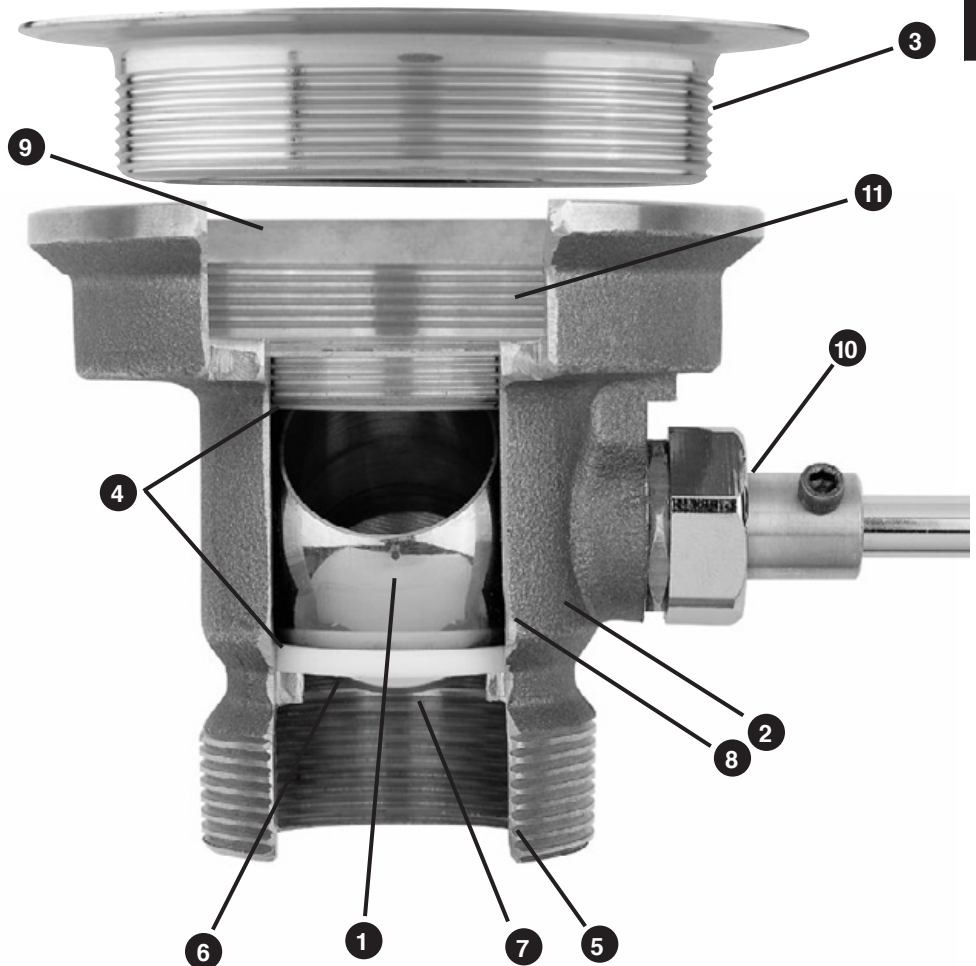
Waste Valves

The next generation of Rotary Waste Valves is here... the DrainKing by Fisher. The DrainKing features a revolutionary design engineered to withstand the harsh conditions and chemicals found in today's foodservice operations. At the heart of the DrainKing is its Stainless Steel Ball Valve, held in a leak-proof socket and sealed by two Teflon seals.

The DrainKing's value approach to an increasing problem places durable stainless steel **ONLY WHERE IT'S NEEDED**, so you don't have the cost associated to where it's not!

Fisher Waste Valves have acquired an outstanding reputation over the years as the foremost in quality without equal. Check out these DrainKing features:

- 1 Stainless Steel Rotary Ball – not a “pop-up.”
- 2 Solid Brass Body.
- 3 Extra Sturdy Stainless Steel Clamping Ring – quickly installs without disassembly.
- 4 DUAL PTFE® Seals – double protection against corrosion and leaking.
- 5 2" NPT Male and 1-1/2" NPT Female Outlet Threads – no adapters are required.
- 6 Rotary Valve – shears off obstructions.
- 7 “Clear Through” Opening – no need to disassemble if snaking is required.
- 8 No Cam Mechanism – no internal obstruction to clog opening.
- 9 Industry Standard “Sealing” Angle – fits flush to standard stainless steel sinks.
- 10 1/4 Turn Fully Opens and Closes Valve.
- 11 Choice of Stainless Steel Flat or Locking Basket Strainers.
- 12 Optional Vandal Resistant Models Available.



Waste Sockets

- 1 Red Brass Construction – holds up against electrolysis, chemicals.
- 2 Cast-in Cross Member – filters large debris from going down drain.
- 3 Industry Standard Angle Taper – fits flush with bottom of stainless steel sink.



#22349 – DrainKing: locking basket strainer. Replaces #10766
#28983 – Chrome DrainKing: locking basket strainer.



#22209 – DrainKing: flat strainer. Replaces #10758.
#28932 – Chrome DrainKing: flat strainer.



#22365 – DrainKing: vandal resistant flat strainer. Additional lever handle included. Replaces #10677
#28991 – Chrome DrainKing: vandal resistant flat strainer. Additional lever handle included. Replaces #10677



#22314 – DrainKing: basket strainer, 19" x 21" overflow: chrome. Replaces #10715.
#28959 – Chrome DrainKing: basket strainer, 19" x 21" overflow: chrome.
#22330 – DrainKing: basket strainer, 14" x 16" overflow: chrome. Replaces #10731.
#28975 – Chrome DrainKing: basket strainer, 14" x 16" overflow: chrome.



#22306 – DrainKing: flat strainer, 19" x 21" overflow: chrome. Replaces #10707
#28940 – Chrome DrainKing: flat strainer, 19" x 21" overflow: chrome.
#22322 – DrainKing: flat strainer, 14" x 16" overflow: chrome. Replaces #10723
#28967 – Chrome DrainKing: flat strainer, 14" x 16" overflow: chrome.



#22373 – DrainKing: vandal resistant flat strainer, 19" x 21" overflow: chrome. Additional lever handle included. Replaces #10685.
#29009 – Chrome DrainKing: vandal resistant flat strainer, 19" x 21" overflow: chrome. Additional lever handle included.
#22381 – DrainKing: vandal resistant flat strainer, 14" x 16" overflow: chrome. Additional lever handle included. Replaces #10693
#29017 – Chrome DrainKing: vandal resistant flat strainer, 14" x 16" overflow: chrome. Additional lever handle included.



#22411 – DrainKing: locking basket strainer. Overflow body. Replaces #10766
#29025 – Chrome DrainKing: locking basket strainer. Overflow body.



#22438 – DrainKing: flat strainer. Overflow Body. Replaces #10758
#29033 – Chrome DrainKing: flat strainer. Overflow Body.



#22446 – DrainKing: vandal resistant flat strainer. Overflow body. Additional lever handle included. Replaces #10677
#29041 – Chrome DrainKing: vandal resistant flat strainer. Overflow body. Additional lever handle included.



#6124-4400 – 19" x 21" overflow tube
#6125-4400 – 14" x 16" overflow tube



#6544-0000 – 1-1/2" x 4" Long Tail Piece: chrome
#2852 – 1-1/2" x 4" Long Tail Piece: brass
#6129 – 2" x 6" Long Tail Piece: chrome
#6128 – 2" x 6" Long Tail Piece: brass



#6130 – Waste Valve Clamp Ring Wrench



#22780 – Clamping Ring Wrench



#6642-2100 – 3/4" x 1-3/4" Long Waste Socket: brass
 #10448 – 3/4" x 1-3/4" Long Waste Socket: rough chrome



#6651-9000 – 3/4" Locknut: brass
 #6250-2100 – 1" Locknut: brass
 #6550-2100 – 1-1/2" Locknut: brass
 #6750-9000 – 2" Locknut: brass



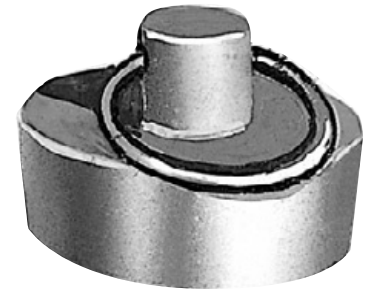
#1400-5000 – 3/4" Washer: neoprene
 #6280-5000 – 1" Washer: neoprene
 #6580-5000 – 1-1/2" Washer: fiber
 #6780-5000 – 2" Washer: fiber



#6240-2100 – 1" x 2" Long Waste Socket: brass
 #6241-2400 – 1" x 2" Long Waste Socket: rough chrome
 #6440-2100 – 1" x 4" Long Waste Socket: brass
 #6441-2400 – 1" x 4" Long Waste Socket: rough chrome



#6271 – 1" x 7" Long Standpipe: rough chrome
 #10901 – 1" x 12" Long Standpipe: rough chrome
 #6571 – 1-1/2" x 7" Long Standpipe: rough chrome
 #10928 – 1-1/2" x 12" Long Standpipe: rough chrome



#6260 – 1" Stopper: brass, Stainless Steel
 #6560 – 1-1/2" Stopper: brass



#6540-2100 – 1-1/2" x 1-1/2" Long Waste Socket: brass
 #6541-2400 – 1-1/2" x 1-1/2" Long Waste Socket: rough chrome
 #6740-2100 – 2" x 2" Long Waste Socket: brass



#30376 – Basket Strainer: stamped SS, 1-1/2"M.



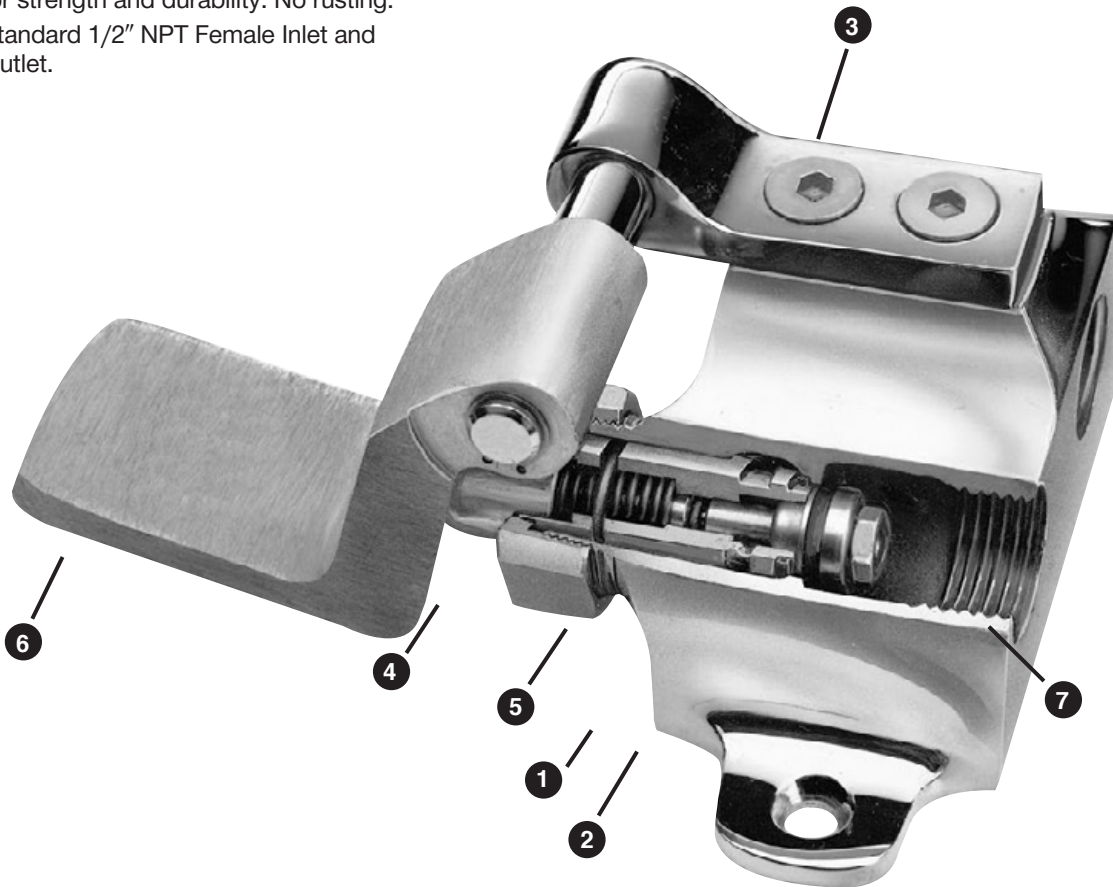
#6556 – Basket Strainer: polished chrome. Replaces #6555



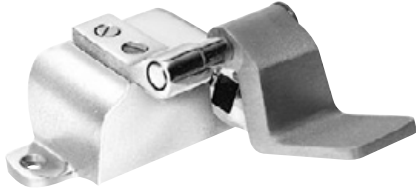
#1780 – Grid Drain

FOOT AND KNEE VALVES

- ❶ Stainless Steel Seats — guaranteed for the life of the faucet.
- ❷ Industry Standard Seats and Gaskets — easily obtainable; no need to order special parts.
- ❸ Polished Chrome Finish.
- ❹ Self-Closing Action.
- ❺ Renewable Cartridge.
- ❻ Anodized Cast Aluminum Pedals — for strength and durability. No rusting.
- ❼ Standard 1/2" NPT Female Inlet and Outlet.



FOOT/KNEE VALVES



#3070 – Single Pedal Valve Floor Mount:
polished chrome



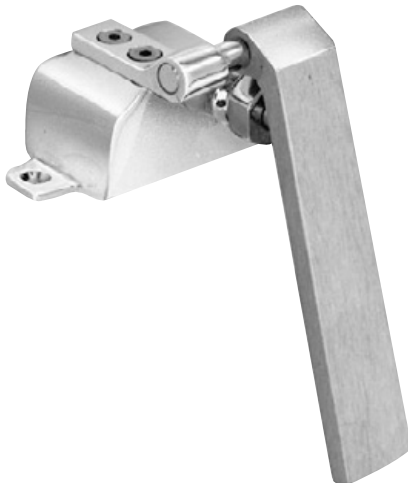
#3170 – Double Pedal Valve Floor Mount:
polished chrome



#3076 – Single Pedal Valve Wall Mount:
polished chrome



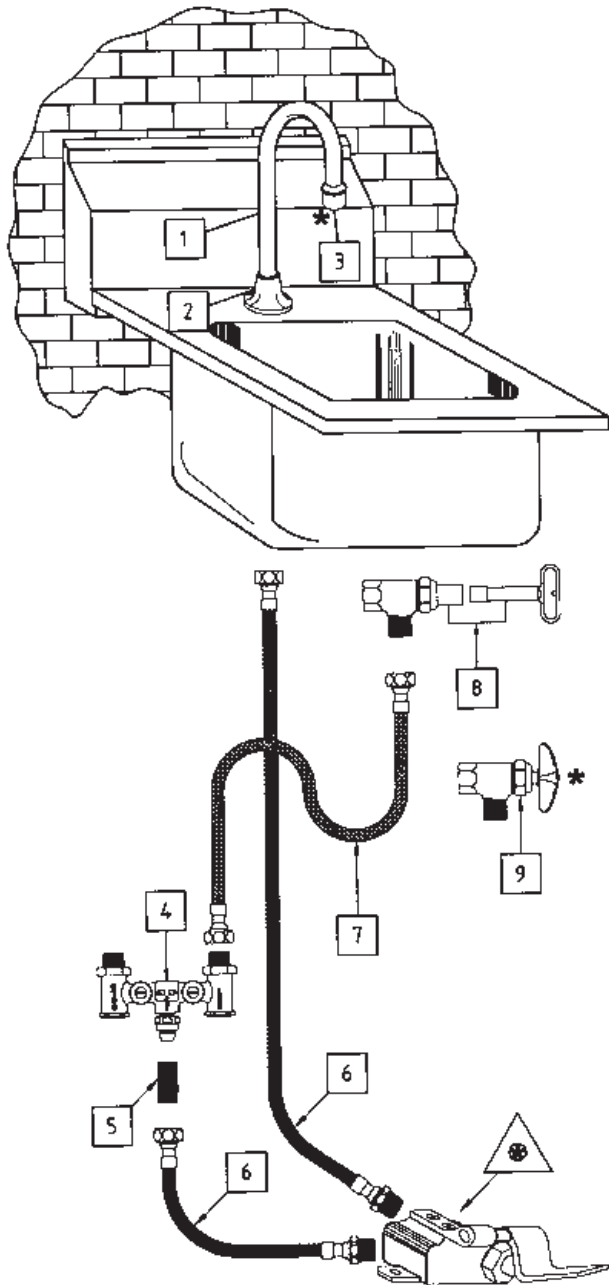
#3176 – Double Pedal Valve Wall Mount:
polished chrome



#3074 – Single Knee Valve: polished chrome
FISHER MANUFACTURING CO. ■ TOLL FREE: 800/421-6162 ■ FAX: 800/832-8238



#3174 – Double Knee Valve: polished chrome



- 1** OPTIONAL SPOUTS – (page 93)
- 2** OPTIONAL BASES – (page 84, 85)
- 3** OPTIONAL AERATORS – (page 92)
- 4** #2970-3 – Temperature Control Valve, Inlets 1/2" M (page 86)
- 5** #2200-0000 – 1/2" X 1-1/4" Nipple with Locknut, Washer and Slip Joint Kit (page 92)
- 6** #10006 – Supply Line 1/2" F X 1/2" M X 36"
- 7** #10022 – Supply Line 1/2" F X 1/2" F X 36"
- 8** #1792 – Angle Stop w/ Key 1/2" M X 1/2" F (page 86)
- 9** #1790-1 – Angle Stop w/ Cross Handle 1/2" M X 1/2" F (page 86)

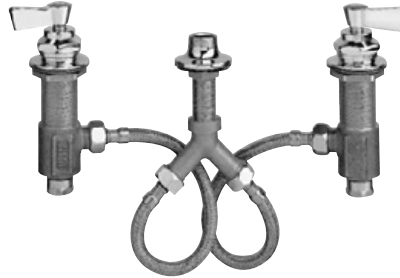
⚠ Replacement Cylinder for all Foot & Knee Valves:
#3070-0000 Foot Valve Cylinder (page 102)

Optional Components

* Vandal Resistant Kit available (page 93)



#12815 – Single Deck Control Valve w/ swivel outlet
#12890 – Single Deck Control Valve w/ 3/8" F outlet



#2232 – Widespread Deck Control Valve w/ swivel outlet
#2658 – Widespread Deck Control Valve w/ swivel outlet, check valve
#2259 – Widespread Deck Control Valve w/ 3/8" F outlet
#2666 – Widespread Deck Control Valve w/ 3/8" F outlet, check valve



#3800 – Single Deck Base w/ swivel outlet
#2903 – Single Deck Base w/ 3/8" F outlet



#3500 – 4" c/c Deck Control Valve w/ swivel outlet
#3500-cv – 4" c/c Deck Control Valve w/ swivel outlet, check valves
#2500 – 4" c/c Deck Control Valve w/ 3/8" F outlet
#2500-cv – 4" c/c Deck Control Valve w/ 3/8" F outlet, check valves



#13064 – Single Deck Dual Control Valve w/ swivel outlet
#13072 – Single Deck Dual Control Valve w/ swivel outlet, check valves
#10529 – Single Deck Dual Control Valve w/ 3/8" F outlet
#13080 – Single Deck Dual Control Valve w/ 3/8" F outlet, check valves



#3300 – 8" c/c Deck Control Valve w/ swivel outlet
#3300-cv – 8" c/c Deck Control Valve w/ swivel outlet, check valves
#2300 – 8" c/c Deck Control Valve w/ 3/8" F outlet
#2300-cv – 8" c/c Deck Control Valve w/ 3/8" F outlet, check valves

FISHER MANUFACTURING CO. ■ TOLL FREE: 800/421-6162 ■ FAX: 800/832-8238

COMPONENTS

FISHER

1/2" Control Valve Components



#3700 – Single Wall Control Valve w/ swivel outlet
#2700 – Single Wall Control Valve w/ 3/8" F outlet



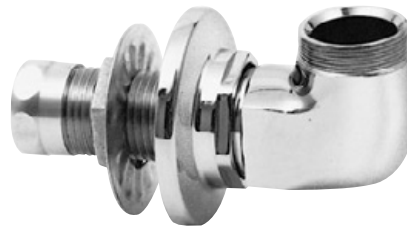
#13153 – 8" c/c Backsplash Control Valve w/ swivel outlet
#13161 – 8" c/c Backsplash Control Valve w/ swivel outlet and check valves
#13188 – 8" c/c Backsplash Control Valve w/ 3/8" F outlet
#13196 – 8" c/c Backsplash Control Valve w/ 3/8" F outlet and check valves



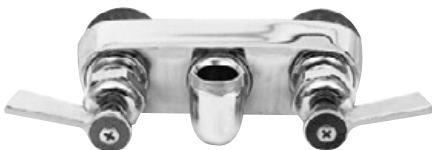
#4750-0000 – Chinese Range Control Valve w/ swivel outlet and 8-1/4" nipple



#3200 – 8" adj. Wall Control Valve w/ swivel outlet
#3200-cv – 8" adj. Wall Control Valve w/ swivel outlet and check valves
#2200 – 8" adj. Wall Control Valve w/ 3/8" F outlet
#2200-cv – 8" adj. Wall Control Valve w/ 3/8" F outlet and check valves



#3900 – Single Backsplash Base w/ swivel outlet, 1/2" male inlet
#4900 – Single Wall Base w/ swivel outlet, 1/2" F inlet
#3900-0002 – Single Backsplash Base w/ 3/8" F outlet, 1/2" male inlet
#2461 – Single Wall Base w/ 3/8" F outlet, 1/2" F inlet



#3600 – 4" c/c Backsplash Control Valve w/ swivel outlet
#3600-cv – 4" c/c Backsplash Control Valve w/ swivel outlet and check valves
#2600 – 4" c/c Backsplash Control Valve w/ 3/8" F outlet
#2600-cv – 4" c/c Backsplash Control Valve w/ 3/8" F outlet and check valves



#2518 – 8" adj. Wall Control Valve w/ swivel outlet, 3" eccentrics
#2496 – 8" adj. Wall Control Valve w/ swivel outlet, check valves, 3" eccentrics
#2526 – 8" adj. Wall Control Valve w/ 3/8" F outlet, 3" eccentrics
#2488 – 8" adj. Wall Control Valve w/ 3/8" F outlet, check valves, 3" eccentrics



#3201 – 8" adj. Wall Control Valve w/ swivel outlet, eccentric stops
#3201-cv – 8" adj. Wall Control Valve w/ swivel outlet, check valves, eccentric stops
#2201 – 8" adj. Wall Control Valve w/ 3/8" F outlet, eccentric stops
#2201-cv – 8" adj. Wall Control Valve w/ 3/8" F outlet, check valves, eccentric stops

FISHER MANUFACTURING CO. ■ TOLL FREE: 800/421-6162 ■ FAX: 800/832-8238

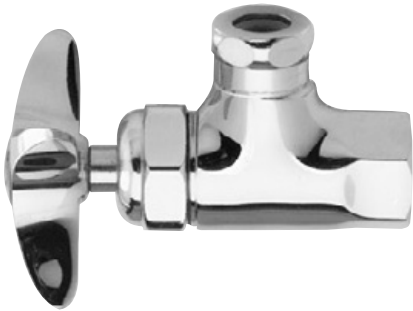
COMPONENTS



#2805 – 4" Remote Control Valve
#2805-cv – 4" Remote Control Valve w/ check valves



#1770-0006 – Deck Shut Off Valve, left hand, swivel stem
#2631 – Deck Shut Off Valve, left hand, check stem
#1770-0007 – Deck Shut Off Valve, right hand, swivel stem
#2623 – Deck Shut Off Valve, right hand, check stem



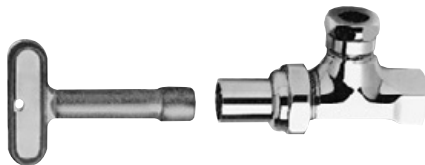
#1790-1 – 1/2" M x 1/2" F Angle Stop w/ cross handle, polished chrome
#14249 – 3/4" F x 3/4" F Angle Stop w/ cross handle, polished chrome



#2933 – Exposed Shut-Off Valve w/swivel stem 1/2" F
#17639 – Exposed Shut-Off Valve w/ check stems 1/2" F



#13676 – Concealed Shut-Off Valve: 1/2" F



#1792 – 1/2" M x 1/2" F Angle Stop w/ key stop, polished chrome



#1705 – Exposed Shut-Off Valve w/ key stop: 1/2" F



#2970-3 – Temperature Control Valve: 1/2" F outlet
#2970-2 – Temperature Control Valve: 3/8" F outlet

COMPONENTS



#2928 – Spring Style Pre-Rinse Sub Assembly w/ Ultra Spray Valve



Foodgrade Replacement Hoses

#12289	12"	Foodgrade Hose
#12297	15"	Foodgrade Hose
#12300	18"	Foodgrade Hose
#12319	21"	Foodgrade Hose
#12327	24"	Foodgrade Hose
#12335	27"	Foodgrade Hose
#12343	30"	Foodgrade Hose
#2914-FG	36"	Foodgrade Hose
#12351	42"	Foodgrade Hose
#12378	48"	Foodgrade Hose
#12386	54"	Foodgrade Hose
#2915-FG	60"	Foodgrade Hose
#12394	72"	Foodgrade Hose
#12408	84"	Foodgrade Hose
#12416	96"	Foodgrade Hose
#12424	108"	Foodgrade Hose
#12432	120"	Foodgrade Hose
#12440	132"	Foodgrade Hose
#12459	144"	Foodgrade Hose



Pre-Rinse Replacement Hoses

#12114	12"	Pre-Rinse Hose
#2916-151/2	15"	Pre-Rinse Hose
#12122	18"	Pre-Rinse Hose
#12130	21"	Pre-Rinse Hose
#2916-251/2	25-1/2"	Pre-Rinse Hose
#12149	27"	Pre-Rinse Hose
#12157	30"	Pre-Rinse Hose
#2914	36"	Pre-Rinse Hose
#12165	42"	Pre-Rinse Hose
#12173	48"	Pre-Rinse Hose
#12181	54"	Pre-Rinse Hose
#2915	60"	Pre-Rinse Hose
#12203	72"	Pre-Rinse Hose
#12211	84"	Pre-Rinse Hose
#12238	96"	Pre-Rinse Hose
#12246	108"	Pre-Rinse Hose
#12254	120"	Pre-Rinse Hose
#12262	132"	Pre-Rinse Hose
#12270	144"	Pre-Rinse Hose

COMPONENTS



#2911 – 36" Hose and Ultra Spray Valve



#2918 – 44" Replacement Hose w/ Handle and Adapter for T & S Pre-Rinse
 #2918-68 – 68" Replacement Hose w/ Handle and Adapter for T & S Pre-Rinse



#2918-C – 44" Replacement Hose for Chicago Pre-Rinse
 #10839 – 68" Replacement Hose for Chicago Pre-Rinse



#2948 – Spray Head w/ handle



#2946 – Utility Spray Head w/ handle



#2947 – Pot Filler Gooseneck w/ handle



#2913 – Insulated Handle for Pre-Rinse
#2913-3/8 – Insulated Handle for Reel Rinse



#2020-0004 – Ultra Flex Swivel w/ Handle for Pre-Rinse



#2923 – Spray Head: 3/8" F inlet



#6343 – Deck Flange

COMPONENTS

FISHER



#2949 – Ultra Spray Valve: 1.60 GPM @ 80psi



#11061 – Pot Filler Valve.



#10863 – High Velocity Jet Spray Valve.



#2920 – Utility Spray Valve



#10820 – Glass Filler Valve.



#10812 – Vertical Glass Filler Valve.



#10073 – Utility Spray Valve w/ short squeeze lever



#1704 – Glass Filler Valve w/ short squeeze lever



#2949-9001 – Scrub Brush: fits all spray valves w/ bumpers

COMPONENTS

FISHER MANUFACTURING CO. ■ TOLL FREE: 800/421-6162 ■ FAX: 800/832-8238

3/8" Pre-Rinse Risers

- #2901-8300 – 2" Riser
- #2901-8301 – 4-1/2" Riser
- #1001-4307 – 8" Riser
- #3336 – 10" Riser
- #2927-4302 – 12" Riser
- #2927-4303 – 16" Riser
- #2927-4300 – 21" Riser
- #2113-4301 – 25" Riser
- #2927-4301 – 31" Riser



#2011-0000 – Swivel Gooseneck Sub Assembly



#2020-0006 – Ultra Flex Gooseneck Sub Assembly



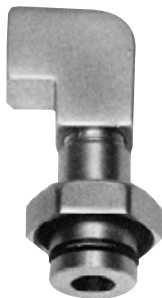
#2925-6300 – Hose Hook for Pre-Rinse



#2924-6000 – Gooseneck Spring for Pre-Rinse



#2926-3300 – Pipe to Hose Adapter for Pre-Rinse: 1/4" F outlet



#2931 – Swivel Hose Adapter: 1/4" F outlet
 #10472 – Swivel Hose Adapter: 3/4" F outlet



#2932 – Swivel Hose Adapter: 1/4" F outlet, vacuum breaker
 #10480 – Swivel Hose Adapter: 3/4" F outlet, vacuum breaker

FISHER MANUFACTURING CO. ■ TOLL FREE: 800/421-6162 ■ FAX: 800/832-8238

COMPONENTS



#2901-0000 — Add-On Faucet: less spout, 4" Riser
 #2901-0001 — Add-On Faucet: less spout, 2" Riser



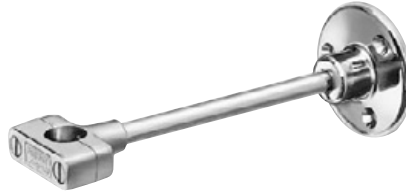
Add-On Faucets for Swivel Control Valves

- #2771 — Add-On Faucet: 6" swing spout, swivel outlet
- #2798 — Add-On Faucet: 8" swing spout, swivel outlet
- #2801 — Add-On Faucet: 10" swing spout, swivel outlet
- #2828 — Add-On Faucet: 12" swing spout, swivel outlet
- #2836 — Add-On Faucet: 14" swing spout, swivel outlet
- #2844 — Add-On Faucet: 16" swing spout, swivel outlet



Add-On Faucets for Rigid Control Valves

- #2901 — Add-On Faucet: 6" swing spout
- #2901-8 — Add-On Faucet: 8" swing spout
- #2901-10 — Add-On Faucet: 10" swing spout
- #2901-12 — Add-On Faucet: 12" swing spout
- #2901-14 — Add-On Faucet: 14" swing spout
- #2901-16 — Add-On Faucet: 16" swing spout



#2902-12 — Wall Bracket w/ 12" Rod



#2004-18 — Pair of Island Brackets w/ 18" Rods
 #12610 — Single Island Bracket

COMPONENTS



#2943 — Pipe Hook



#2907 — Wall Hook



#3982-9000 – 55/64"-27 Female Garden Hose Spout Adaptor



#9041-9001 – Combination Rose Spray/Aerator



#12564 – Aerator: 2.2GPM
#3000-8000 – Aerator: 5GPM
#11053 – Aerator: 2GPM
#3000-8002 – Laminar Flow Spout End: 2GPM



#2200-0000 – 1/2" x 1-3/4" Nipple w/ locknut, washer, slip joint kit
#10219 – 3/4" x 1-1/4" Nipple w/ locknut, washer



#2400-2103 – 1/2" Elbow
#5000-2103 – 3/4" Elbow



#3983-2302 – Cross Handle



#10022 – Supply Line 1/2"F x 1/2"F x 36"



#14877 – Supply Line 1/2"F x 1/2"M x 12"
#10006 – Supply Line 1/2"F x 1/2"M x 36"
#14230 – Supply Line 3/4"M x 3/4"M x 84"



#3984-2300 – 4" Wrist Handle

COMPONENTS



#2976 – Vandal Resistant Kit for products that have aerators
 #2992 – Vandal Resistant Kit for products that do not have aerators (Aerator not included)
 #93874 – Vandal Resistant Kit for Part #4000-0001 (Aerator not included)



#14109 – Vandal Resistant Screw Power Drive Bit



#3965 – 12" Swivel Gooseneck Spout
 #3968 – 6" Swivel Gooseneck Spout



#3966 – 12" Rigid Gooseneck Spout
 #9041 – 10" Rigid Gooseneck Spout
 #3969 – 6" Rigid Gooseneck Spout



#3960 – 6" Swing Spout
 #3961 – 8" Swing Spout
 #3962 – 10" Swing Spout
 #3963 – 12" Swing Spout
 #3964 – 14" Swing Spout
 #3967 – 16" Swing Spout



#3975 – 6" Swivel Spout w/ vacuum breaker, garden hose thread



#3976 – 8" Swing Spout w/ thermometer



#4000-0001 – 11" Control Swing Spout
 #11010 – 8" Control Swing Spout



#3000-0003 – 7-1/4" DJ Sub Assembly
 #4000-0002 – 13" DJ Sub Assembly



#4000-3300 – Swivel Adapter

COMPONENTS



#5000 – 3/4" Single Deck Control Valve w/ swivel outlet



#5700 – 3/4" Single Wall Control Valve w/ swivel outlet



#5400 – 3/4" Backsplash Control Valve w/ swivel outlet
#5400-cv – 3/4" Backsplash Control Valve w/ swivel outlet, check valves



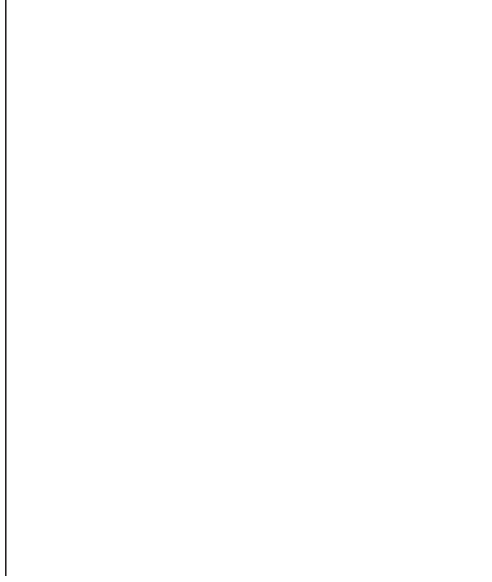
#5300 – 3/4" Deck Control Valve w/ swivel outlet
#5300-cv – 3/4" Deck Control Valve w/ swivel outlet, check valves



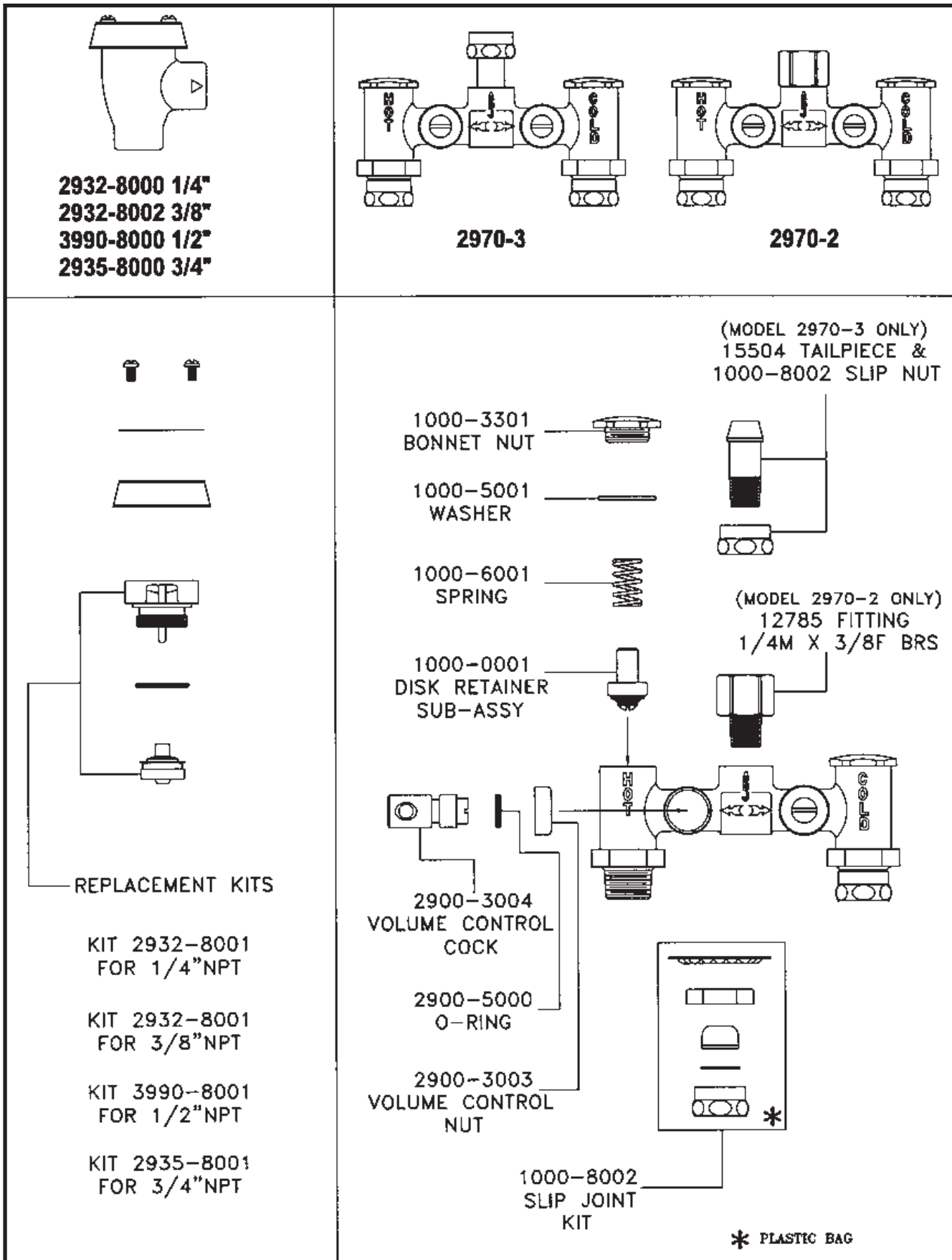
#5200 – 3/4" adj. Wall Control Valve w/ swivel outlet
#5200-cv – 3/4" adj. Wall Control Valve w/ swivel outlet, check valves

COMPONENTS

FISHER MANUFACTURING CO. ■ TOLL FREE: 800/421-6162 ■ FAX: 800/832-8238



COMPONENTS



REPAIR KITS/PARTS



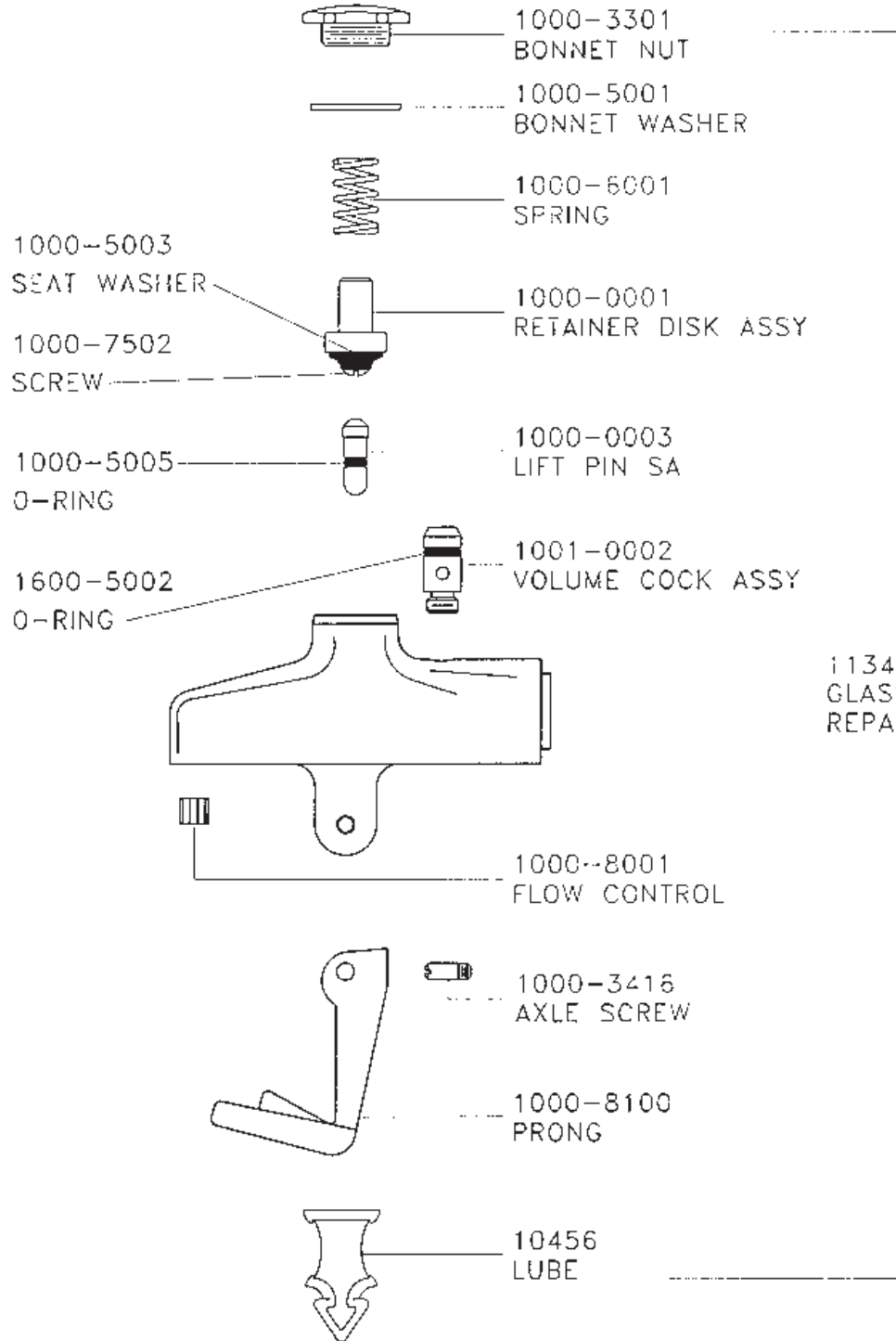
#17396 – Single Deck Dual Control Hose 1/2" F Inlet



#17434 – Single Deck Dual Control Mounting Kit



#11282 – Kit is handy for the maintenance of Glass Fillers, PermaTrim® Faucets, Spray Valves. The kit contains the following: Seat Washer, Axle Screws, Springs for Spray Valves, Spray Valve Bumpers, Seat Screws, Packing Washers, Spout O-Rings, Handle Screws, Lift Pins



11347
GLASS FILLER
REPAIR KIT

1000-3301 BONNET NUT

1000-5001 BONNET WASHER

2912-6000 SPRING

1000-0001 RETAINER DISK ASSY

1000-5003 SEAT WASHER

1000-7502 SCREW

11355 SPRAY VALVE REPAIR KIT

2990-3001 NOZZLE FOR 2990 SPRAY VALVE

2949-9000 BLACK BUMPER OR 2949-9002 BLUE BUMPER

SPRAY VALVE

2922-5000 HANDLE GASKET

1000-0003 LIFT PIN SA

1000-5005 O-RING

2909-5000 GASKET

2909-3400 LIFT PIN GUIDE

OLD #2949-8400 CUP WASHER CP
NEW #2949-8600 CUP WASHER BRS

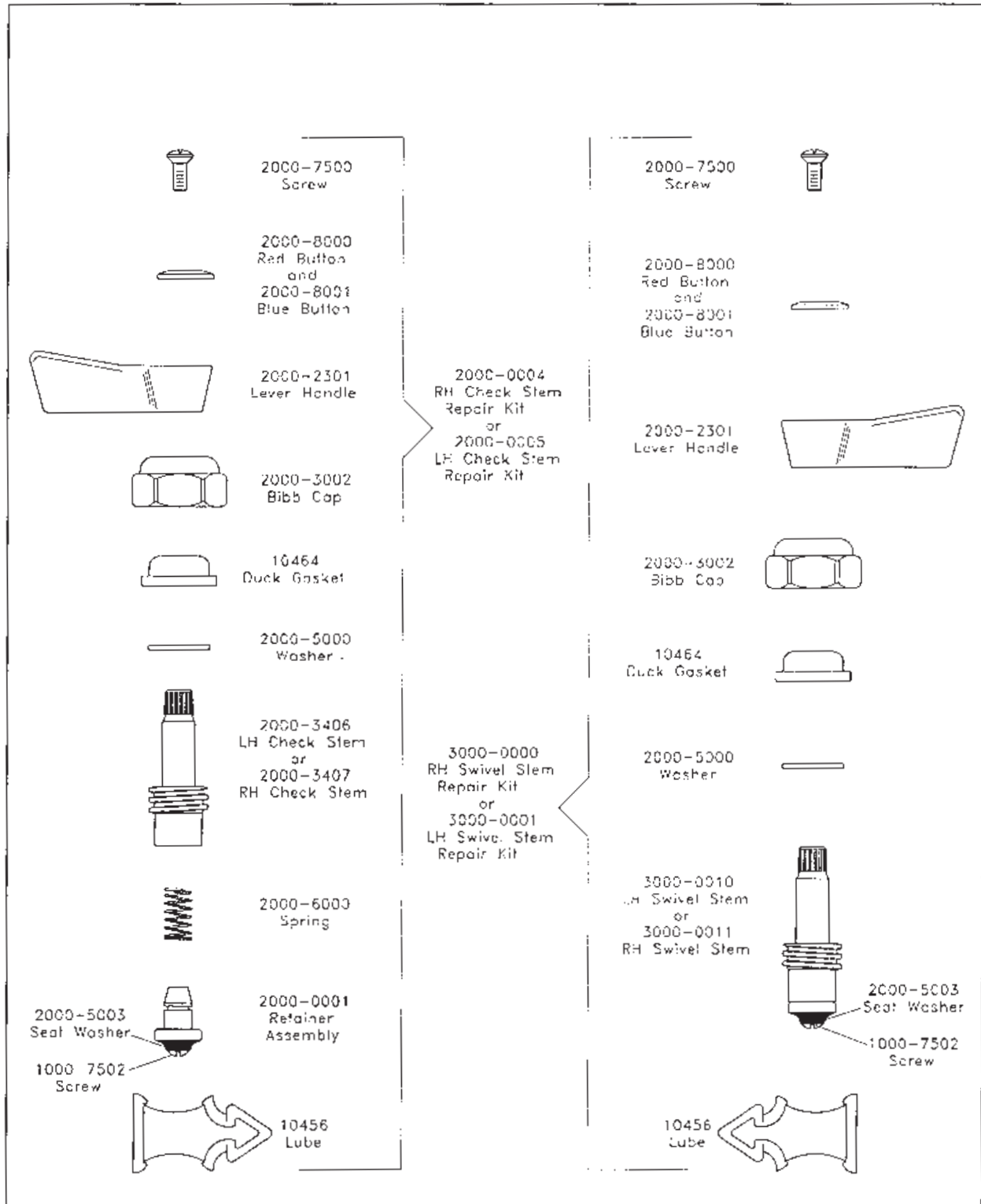
2912-2501 SQUEEZE LEVER

2949-3001 2949 SPRAY NOZZLE OR 2990-3000 2990-1 SPRAY NOZZLE

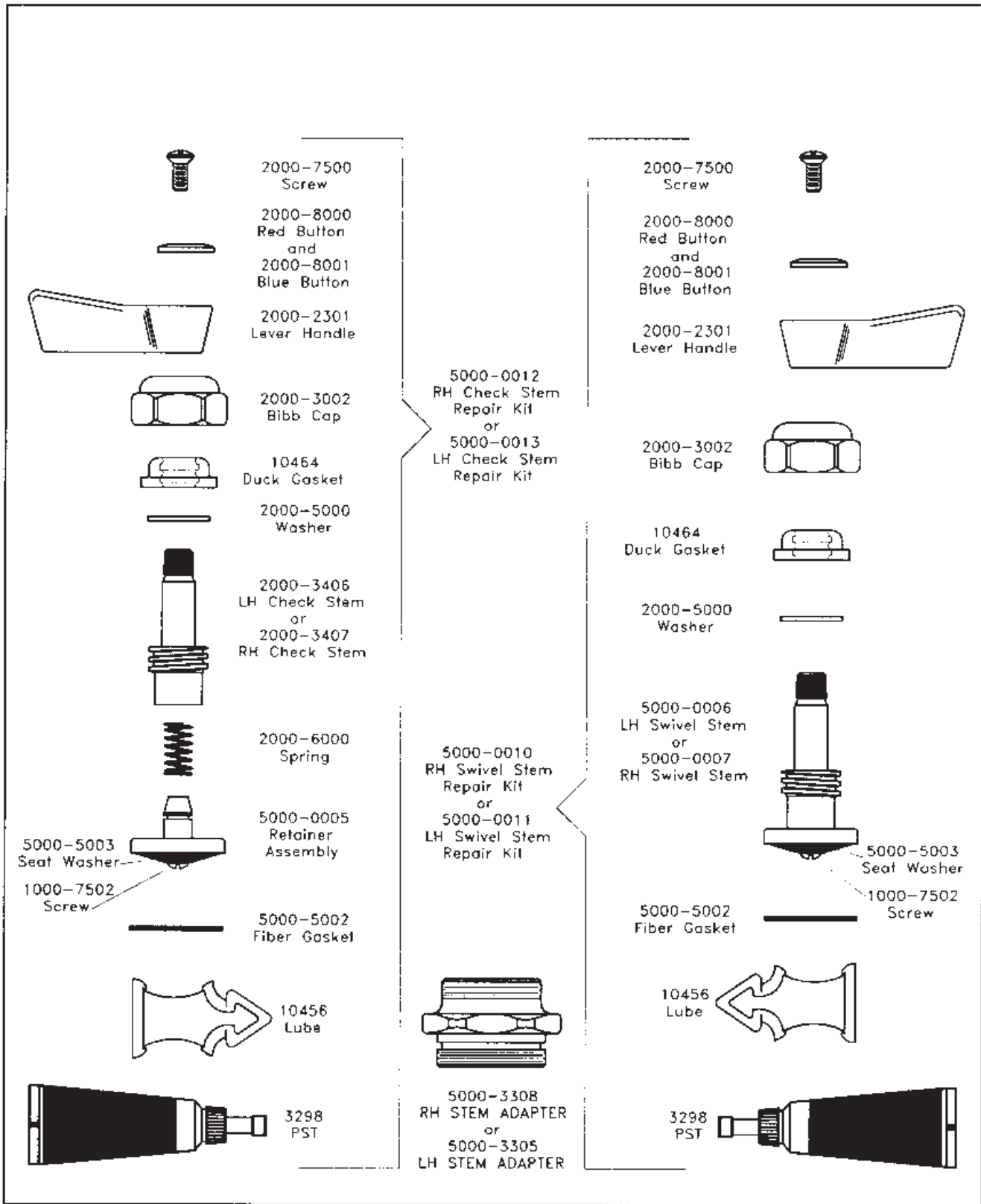
2912-7501 SCREWS

2909-6000 CLIP

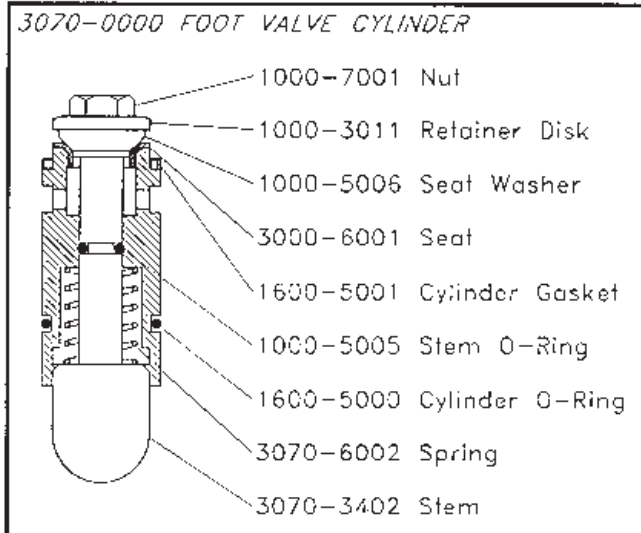
REPAIR KITS/PARTS



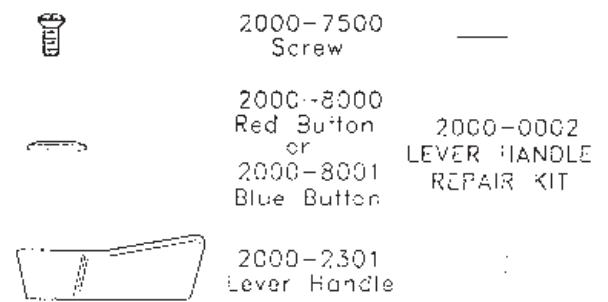
REPAIR KITS/PARTS



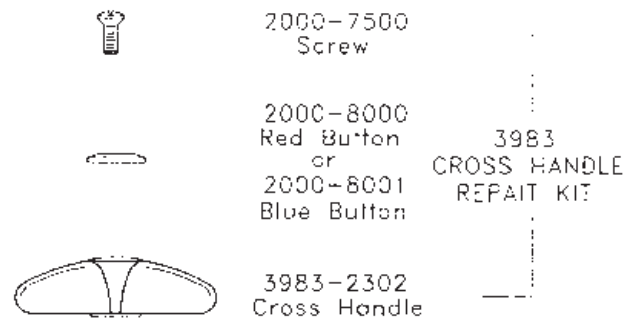
REPAIR KITS/PARTS



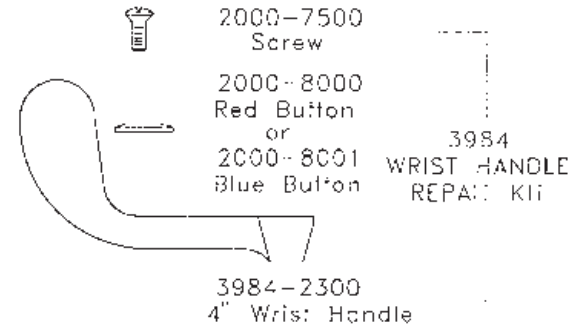
LEVER HANDLE SUB-ASSY



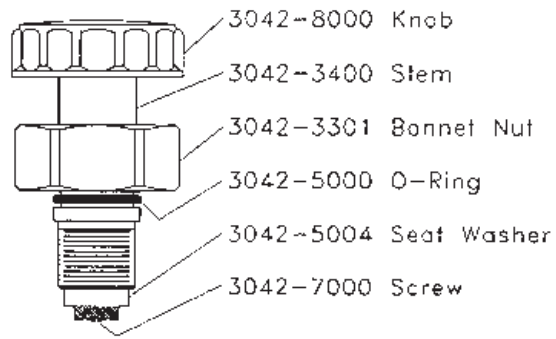
CROSS HANDLE SUB-ASSEMBLY



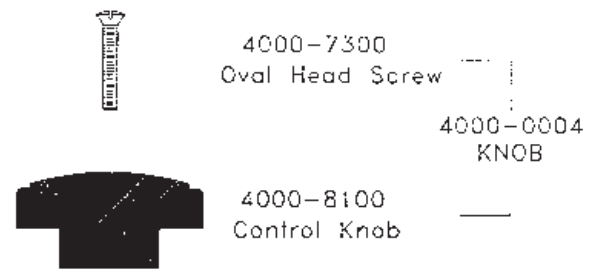
4" WRIST HANDLE SUB-ASSEMBLY



3042-0000 DIPPERWELL STEM



KNOB SUB-ASSEMBLY



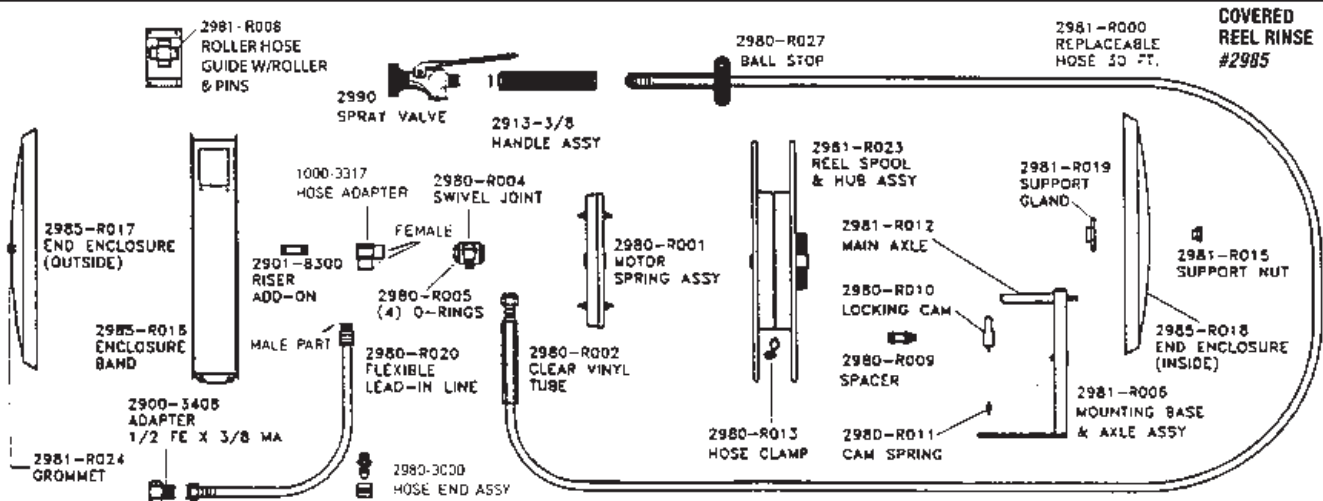
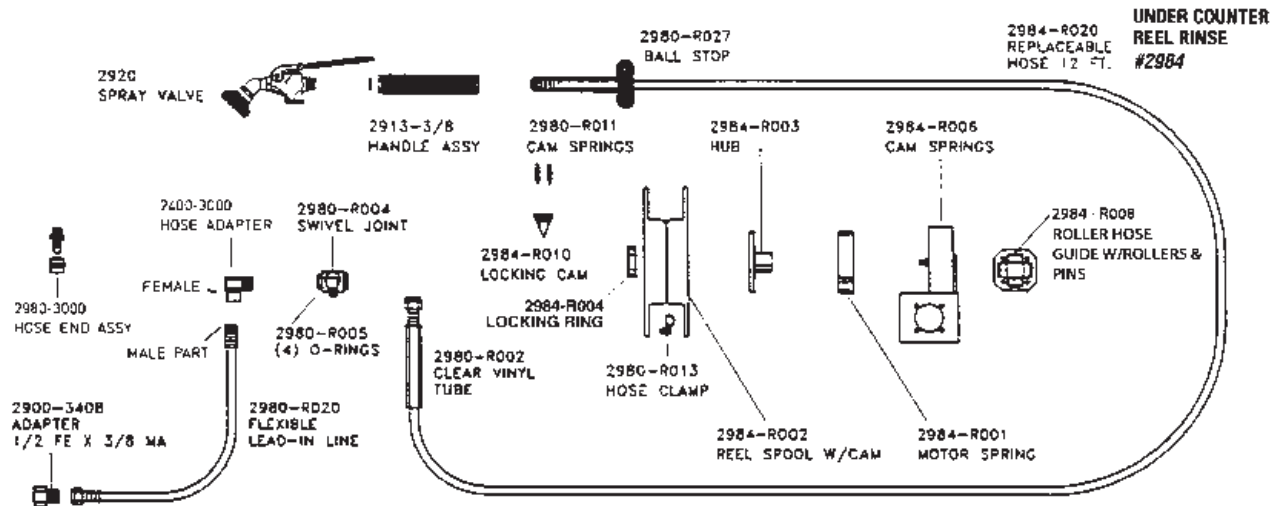
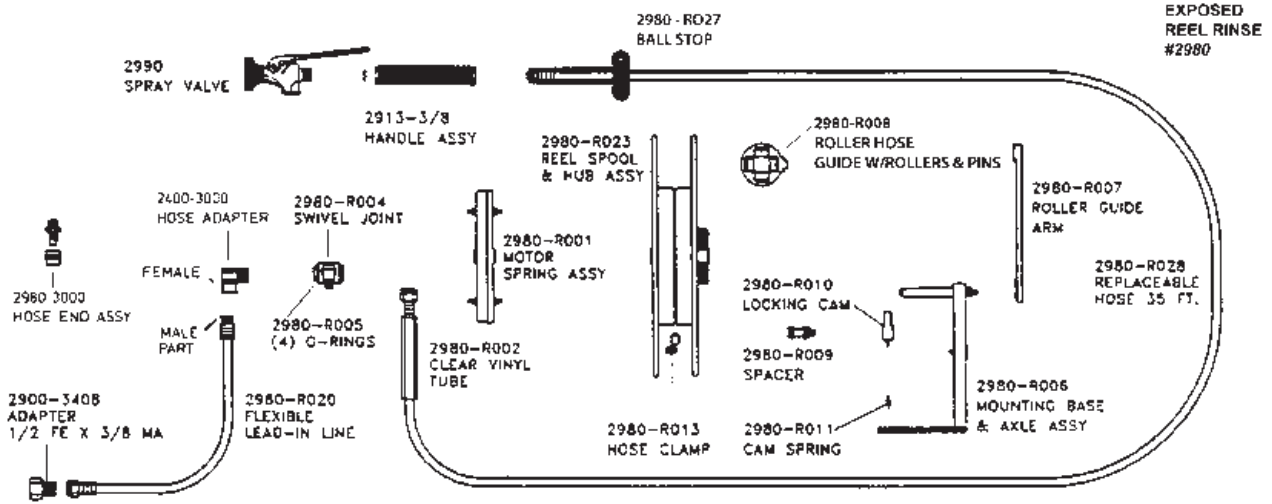
REPAIR KITS/PARTS

1/2" Faucet and Pre-Rinse Replacement Parts

<p>OLD</p> <p>3960 6" 3961 8" 3962 10" 3963 12" 3964 14" 3967 16"</p> <p>3000-5002 GASKET 3000-5000 O-RING</p> <p>2002 SNAP RING 1600-5000 O-RINGS</p> <p>12564 AERATOR</p> <p>1/2" SWIVEL SPOUT</p>	<p>1/2" CONCENTRICS</p> <p>2200-3300 CONNECTOR NUT</p> <p>2200-3402 ADAPTER FLANGE</p> <p>2200-5000 ECCENTRIC GASKET</p> <p>18694 CONCENTRIC 1/2" RC</p> <p>3200-2306 FLANGE</p> <p>1000-8002 1/2" SLIP JOINT KIT</p>
<p>OLD</p> <p>3968 6" 3965 12"</p> <p>3000-5002 GASKET 3000-5000 O-RING</p> <p>1/2" SWIVEL GOOSENECK SPOUT</p> <p>2002 SNAP RING 1600-5000 O-RINGS</p> <p>12564 AERATOR</p>	<p>1/2" ECCENTRICS</p> <p>2200-3300 CONNECTOR NUT</p> <p>2200-3402 ADAPTER FLANGE</p> <p>2200-5000 ECCENTRIC GASKET</p> <p>3200-2307 ECCENTRIC OR 2200-2301 ECCENTRIC</p> <p>3200-2306 FLANGE</p>
<p>#2932</p> <p>1/4" F SWIVEL ELBOW WITH VACUUM BREAKER FOR 1/2" SWIVEL CONTROL VALVES</p> <p>3000-5002 GASKET</p> <p>3000-5000 O-RING</p>	<p>SWIVEL PRE-RINSE ARM #2011-0000</p> <p>1000-5008 O-RINGS</p>
<p>#2931</p> <p>1/4" F SWIVEL ELBOW FOR 1/2" SWIVEL CONTROL VALVES</p> <p>3000-5002 GASKET</p> <p>3000-5000 O-RING</p>	<p>ULTRA PRE-RINSE ARM #2020-0006</p> <p>1700-5002 O-RING</p> <p>2020-7000 SET SCREW</p> <p>1000-5008 O-RINGS</p> <p>2020-5004 GASKET</p> <p>2020-5003 GASKET</p> <p>2020-5002 O-RINGS</p>
<p>PRE-RINSE HANDLE GASKETS</p> <p>2922-5000 GASKET</p> <p>2922-5000 GASKET</p>	<p>ULTRA PRE-RINSE HANDLE #2020-0004</p> <p>2922-5000 GASKET</p> <p>2020-7000 SET SCREW</p> <p>2020-5002 O-RINGS</p> <p>2020-5003 GASKET</p> <p>1700-5002 O-RING</p> <p>2020-5004 GASKET</p>

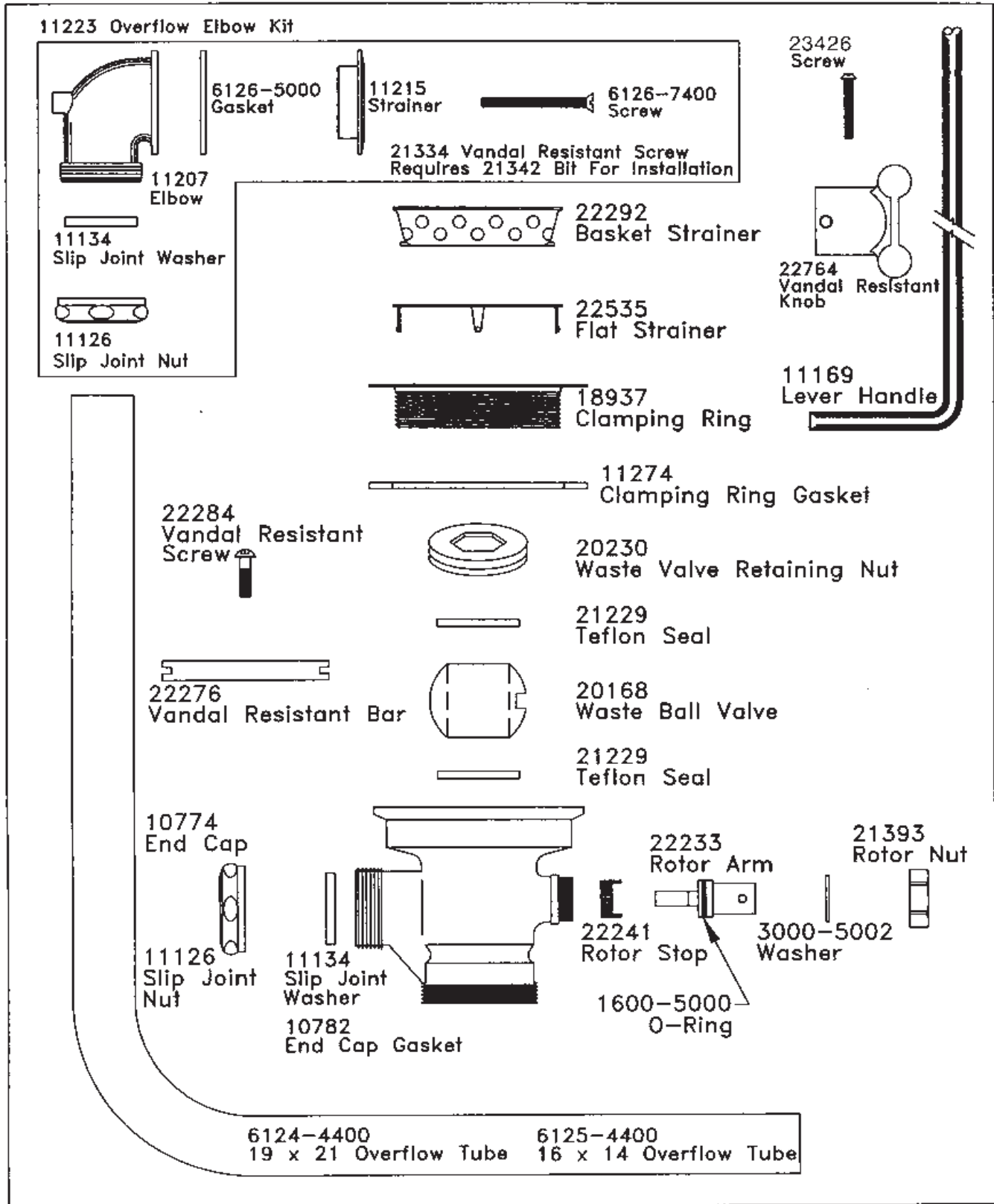
REPAIR KITS/PARTS

Reel Rinse Replacement Parts



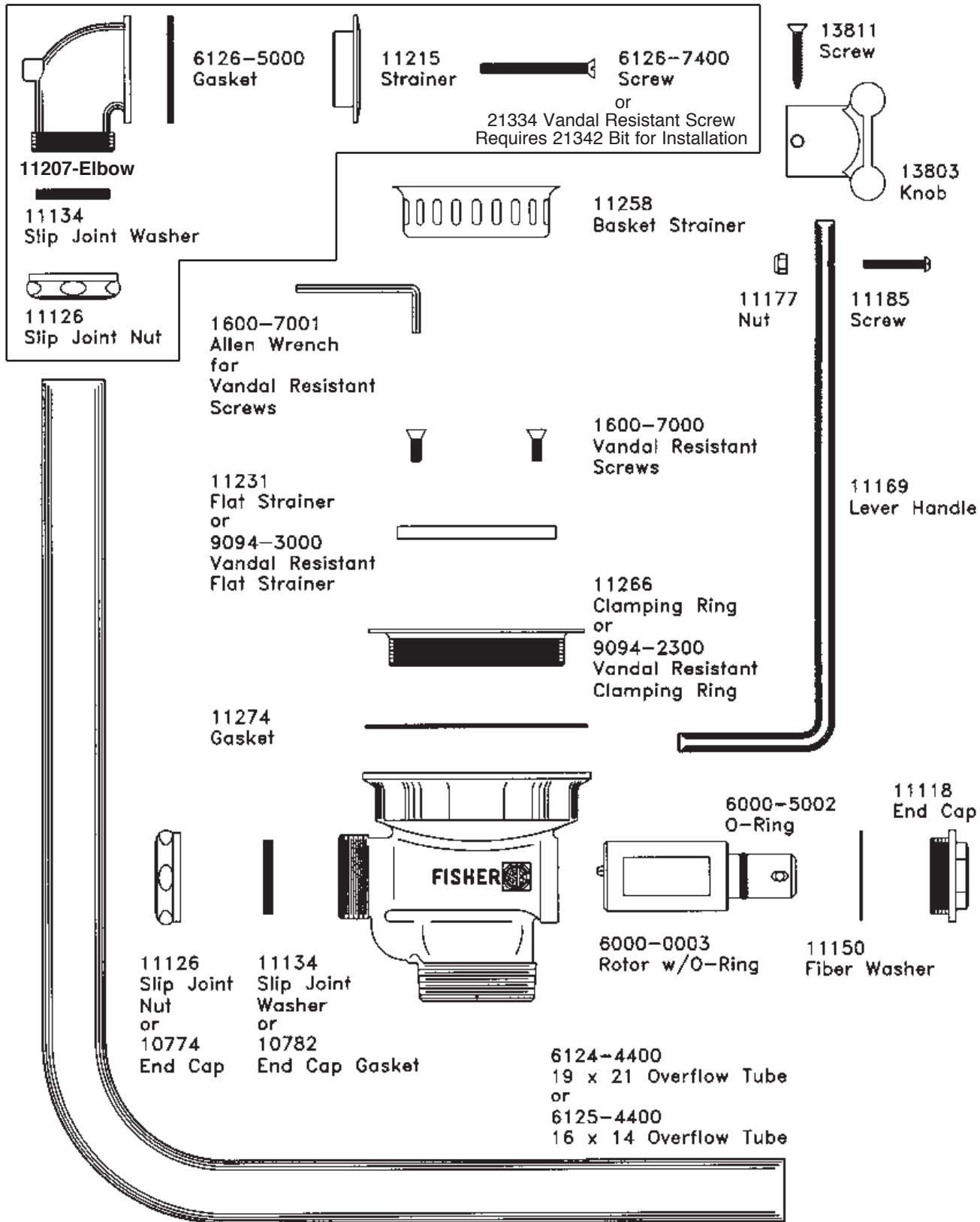
REPAIR KITS/PARTS

FISHER MANUFACTURING CO. ■ TOLL FREE: 800/421-6162 ■ FAX: 800/832-8238



REPAIR KITS/PARTS

11223-Overflow Elbow Kit



REPAIR KITS/PARTS

#10499
3/4" SWIVEL GOOSENECK

13129 SPOUT NUT
5000-5001 O-RINGS

3/4" SWIVEL SPOUT

13129 SPOUT NUT
5000-5001 O-RINGS

#5000-0020 7"
#5000-0001 10"
#5000-0002 14"

#10502
3/4" SWIVEL GOOSENECK WITH SHUT-OFF

13129 SPOUT NUT
5000-5001 O-RINGS

#10480
3/4" SWIVEL ELBOW WITH VACUUM BREAKER

13129 SPOUT NUT
5000-5001 O-RINGS

3/4" POT FILLER HOSE

5008-0002 6'
5008-0005 15'

ALL HOSES INCLUDE 14052 BUMPER



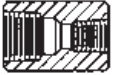
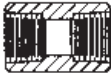






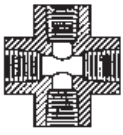




#10472
3/4" SWIVEL ELBOW

13129 SPOUT NUT
5000-5001 O-RINGS

3/4" ECCENTRICS

13110 HEX NUT
5200-3400 ADAPTER FLANGE
5200-5000 ECCENTRIC GASKET
5200-2301 ECCENTRIC
5200-8300 FLANGE

REPAIR KITS/PARTS

<p>CLOSE NIPPLES</p>  <p>1000-3418 3/8" M RC 8254-3400 1/2" M RC 11444 3/4" M BRASS</p>	<p>BUSHINGS</p>  <p>2900-3309 1/4" F x 3/8" M PC 2900-3311 1/4" F x 1/2" M PC 2900-3312 3/8" F x 1/2" M PC 1701-3307 1/2" F x 3/4" M PC</p>	<p>SPECIAL ADAPTER</p>  <p>2922 ADAPTER 3/4-14F x 1/4" F (INCLUDES (1) 2922-5000 GASKET) (CONNECTS FISHER HOSE TO T&S SPRING STOP ADAPTER)</p>
<p>COUPLINGS</p>  <p>12769 3/8" F x 3/8" F PC 3069 3/4-14F PC (INCLUDES (2) 2922-5000 GASKETS)</p>	<p>ADAPTERS</p>  <p>2984-3400 3/8" M x 1/4" M RC 2913-3407 3/4-14M x 3/8" M RC</p>	<p>SPECIAL ADAPTER</p>  <p>2922-3401 ADAPTER 3/4-14F x 7/8-20F (INCLUDES (1) 2922-5000 GASKET & (1) 2922-5001 GASKET) (CONNECTS FISHER HOSE TO T&S HANDLE)</p>
<p>REDUCERS</p>  <p>12785 3/8" F x 1/4" M BRASS 13137 1/2" F x 1/4" M BRASS 2913-3406 3/4-14F x 3/8" M RC 2900-3408 1/2" F x 3/8" M RC</p>	<p>ADAPTERS</p>  <p>2900-3310 3/8" F x 1/4" F PC 2984-3401 1/2" F x 3/8" F PC 13714 1/2" F x 1/4" F PC 9090-8003 1/2" F x 1/4" F BRASS</p>	<p>SPECIAL ADAPTERS</p> <p>Swivel to Rigid</p>  <p>2000-3304 ADAPTER FISHER FAUCET BODY X 3/8" F (INCLUDES (1) 3000-5002 GASKET) 12505 ADAPTER CHICAGO FAUCET BODY X 3/8" F (INCLUDES GASKET) 12475 ADAPTER T&S FAUCET BODY X 3/8" F (INCLUDES GASKET)</p>
<p>TEES</p>  <p>14869 3/4" F BRASS 1000-3303 3/8" F PC 14281 1/2" F PC 1801-3008 1/2" F BRASS</p>	<p>CROSS</p>  <p>1801-3006 1/2" F BRASS</p>	<p>SPECIAL ADAPTERS</p> <p>Rigid to Swivel</p>  <p>12580 ADAPTER 3/8" M X FISHER SPOUT 12483 ADAPTER 3/8" M X T&S SPOUT</p>
<p>STREET ELBOWS</p>  <p>2400-3300 3/8" F x 3/8" M PC 14621 1/2" F x 1/2" M PC 10391 3/4" F x 3/4" M PC</p>	<p>UNIONS</p>  <p>1801-3007 UNION 1/2" F BRASS 14346 UNION 3/8" F SS</p>	
<p>ELBOWS</p>  <p>2931-3300 1/4" F PC 1000-3317 3/8" F PC 1801-3010 1/2" F BRASS 5011-3300 3/4" F PC</p>		

REPAIR KITS/PARTS

that's the beauty of

FISHER

Point of Purchase Product Display Program



Point Of Purchase Product Display

- *Increase sales*
- *Link your company with Fisher*
- *Increase inventory turns*
- *Keep inventory organized*
- *“Why Fisher?” certification*

Contact your Fisher representative to see how you can get started on the NEW POINT OF PURCHASE PROGRAM.

Pre-Rinse Units



**#64793
Pre Rinse Unit**
8" c/c Backsplash mount control valve. Spring style pre-rinse with wall bracket. Includes EZ Install adapters.



**#2110-WB
Pre-Rinse Unit**
Single deck, dual control valve, spring style pre-rinse with wall bracket.



Pre-Rinse Unit- 8" c/c
backsplash mount spring style pre-rinse with add-on faucet and wall bracket. Includes EZ Install adapters.
#48887- with 6" add-on faucet
#48895- with 8" add-on faucet
#48909- with 10" add-on faucet
#48917- with 12" add-on faucet
#48925- with 14" add-on faucet
#48933- with 16" add-on faucet



Pre-Rinse Unit-Single deck
dual control mount spring style pre-rinse with add-on faucet and wall bracket.
#34169- with 6" add-on faucet
#34177- with 8" add-on faucet
#34185- with 10" add-on faucet
#34193- with 12" add-on faucet
#34207- with 14" add-on faucet
#34215- with 16" add-on faucet

Pre-Rinse Accessories



**#2949
Ultra Spray Valve**
Water saving spray valve. 1.15 GPM, Fits all brands



**#2918
Pre-Rinse Hose**
44" Replacement hose with insulated handle. Three-ply aircraft hydraulic hose. Fits all brands of pre-rinse units.



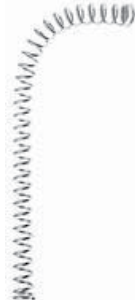
Add-On Faucets
#2901 - w/ 6" Swing Spout
#2901-8 - w/ 8" Swing Spout
#2901-10 - w/10" Swing Spout
#2901-12 - w/12" Swing Spout
Fits all brands



**#2913
Insulated Handle**
Replacement insulated handle for Fisher pre-rinse units.



**#2902-12
Wall Bracket**
Replacement wall bracket for pre-rinse units. Adjustable from 2" to 12". Fits all brands



#2924-6000 Spring
Replacement gooseneck spring for pre-rinse units. Fits all brands



Riser Pipe
Riser for pre-rinse units. 3/8" Male inlets, Fits All Brands
#2927-4303-16" Riser
#2927-4300-21" Riser
Fits all brands



**#2926-3300
Adapter**
Pipe to hose adapter for pre-rinse units.



**#2914
Pre-Rinse Hose**
36" Replacement hose for FISHER pre-rinse units only. Three-ply reinforced internal rubber hose.



**#2949-9001
Scrub Brush**
Scrub brush for Fisher spray valves.



**#2925-6300
Arm Hook**
For pre-rinse units. Keeps spray valve secure when not in use.

FISHER

POINT OF PURCHASE DISPLAY ITEMS

Optional Items



#64238 Nipple Kit
Includes Two
1/2" M x 1-3/4"
Nipple with locknut
washer and slip
joint kit.



**#64211
1/2" Elbow Kit**
Includes Two 1/2"
Elbow @ 90° turn
down for 1/2"
control valves.



Supply Line
#64351 - Includes
Two 1/2" F x 1/2" M
x 36"



**Backflow Preventor
#2932-0002 In-Line
Dual Check Valve.**
Required in some
states. Fits all Fisher
pre-rinse units.

1/2" Faucets & Swing Spouts



8" c/c Backsplash Faucet
All faucets are for mounting on
stainless steel sinks. Includes EZ
Install adapter
#64734 - with 6" Swing Spout
#64742 - with 8" Swing Spout
#64750 - with 10" Swing Spout
#64769 - with 12" Swing Spout
#64777 - with 14" Swing Spout
#64785 - with 16" Swing Spout



8" c/c Deck Faucet
All faucets include 1/2" male nipples
for easy mounting on your sink
deck.
#3310 - with 6" Swing Spout
#3311 - with 8" Swing Spout
#3312 - with 10" Swing Spout
#3313 - with 12" Swing Spout
#3314 - with 14" Swing Spout
#1627 - with 16" Swing Spout



4" c/c Deck Faucet
All faucets include 1/2" male nipples for easy
mounting on your sink deck.
#3510 - with 6" Swing Spout
#3511 - with 8" Swing Spout
#3512 - with 10" Swing Spout
#3513 - with 12" Swing Spout
#3514 - with 14" Swing Spout
#1635 - with 16" Swing Spout

1/2" Control Valves and Spouts



#63819
Backsplash Control
Valve with Swivel Stems,
Lever Handles, EZ Install
Adapters and Nipples



Swing Spout
#3960 - 6" Swing Spout
#3961 - 8" Swing Spout
#3962 - 10" Swing Spout
#3963 - 12" Swing Spout
#3964 - 14" Swing Spout
#3967 - 16" Swing Spout



Gooseneck Spout
#3965 - 12" Swivel
GN Spout.
#3968 - 6" Swivel
GN Spout.



#3300
8" Deck Control Valve
with Swivel Stems &
Lever Handles



**Double Joint Sub
Assembly**
#3000-0003 - 7 1/4"
Length
#4000-0002 - 13" Length



#3500
4" Deck Control Valve
with Swivel Stems &
Lever Handles

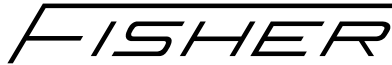
Glass Filler Unit & Repair Kits



**#1008
Glass Filler**
10" Pedestal glass
filler with adjustable
volume control. For
paper or glass cups.



**#11347
Repair Kit**
Glass filler repair kit.
Contains all parts
needed for complete
repair of glass filler
heads.



POP DISPLAY PROGRAM



**#11355
Repair Kit**
Spray valve repair kit. Contains all parts needed for complete repair of spray valves.



Stem Repair Kits
#3000-0000 - Right hand swivel stem
#3000-0001 - Left hand swivel stem
#2000-0004 - Right hand check stem
#2000-0005 - Left hand check stem

Drains



**#24082
Twist Drain**
Twist drain with flat strainer, 1-1/2" M.



**#24090
Twist Drain**
Twist drain with flat strainer, 2" M.

Why Fisher?...
EZ Install Adapters



STEP 1 - Do NOT remove sink from wall. Locate connecting nuts.



STEP 2 - Remove old control valve by unthreading nut.



STEP 3 - Place new washer into fitting. Thread in FISHER EZ-Install Adapter.



STEP 4 - Thread new FISHER control body onto EZ-Install Adapters and tighten. Discard eccentrics/concentrics supplied with new units.

Proven display packaging to help increase dealer sales.

View Fisher's EZ Install Adapter Instructional Video at
www.fisher-mfg.com



Autodesk® Seek





Numerical Index

Model #	Catalog Page	Model #	Catalog Page	Model #	Catalog Page	Model #	Catalog Page
1000-0001	96, 98, 99	1801-3008	108	2240	26	2906	64
1000-0003	98, 99	1801-3010	108	2250	26	2906	64
1000-2304	5	1802	42	2259	84	2907	91
1000-2305	5	1803	42	2260	30	2909-3400	99
1000-3011	102	1805	50	2267	70	2909-5000	99
1000-3301	96, 98, 99	1813	50	2270	30	2909-6000	99
1000-3303	5, 107	1821	52	2275	70	2911	87
1000-3309	5	1848	52	2283	70	2912-2501	99
1000-3317	108	1856	52	2291	74	2912-6000	99
1000-3321	5	1872	52	2300	84	2912-7501	99
1000-3416	98	1899	52	2300-CV	84	2913	88
1000-3418	5, 108	1902	52	2305	74	2913-3406	108
1000-4305	5	1910	52	2310	12	2913-3407	108
1000-5001	96, 98, 99	1929	52	2310-WB	12	2913-3/8	88
1000-5003	98, 99	1937	52	2311	16	2914	87
1000-5005	98, 99, 102	1945	54	2311-WB	16	2914-FG	87
1000-5006	102	1953	54	2313	74	2915	87
1000-5008	103	1996	54	2321	74	2915-FG	87
1000-5012	5	2000-0001	100	2348	74	2916-151/2	87
1000-5302	63	2000-0002	102	2400-2103	92	2916-251/2	87
1000-6001	96, 98	2000-0004	100	2400-3300	5, 108	2918	87
1000-7001	102	2000-0005	100	2445	62	2918-C	87
1000-7502	98-101	2000-2301	100-102	2453	62	2918-68	87
1000-8001	98	2000-3002	100-101	2461	85	2920	89
1000-8002	103	2000-3304	108	2488	85	2922	108
1000-8100	98	2000-3406	100-101	2496	85	2922-3401	108
1001-0002	98	2000-3407	100-101	2500	84	2922-5000	99, 103
1001-4307	90	2000-5000	100-101	2500-CV	84	2923	88
1006	4	2000-5003	100	2510	12	2924-6000	90
1007	4	2000-6000	100-101	2510-WB	12	2925-6300	90
1008	4	2000-7500	100-102	2511	16	2926-3300	90
1009	4	2000-8000	100-102	2511-WB	16	2927-4300	90
1010	4	2000-8001	100-102	2518	85	2927-4301	90
1011	4	2002	103	2526	85	2927-4302	90
1013	4	2003	54	2542	46	2927-4303	90
1116-4300	5	2004-18	91	2600	85	2928	87
1116-4301	5	2010	12	2600-CV	85	2931	90
1117	6	2010-WB	12	2610	14	2931-3300	108
1117-WB	6	2011	16	2610-WB	14	2932	90
1400	4	2011-0000	90	2611	18	2932-0002	46
1400-0000	4	2011-WB	16	2611-WB	18	2932-8000	46
1400-5000	80	2020-0004	88	2623	86	2932-8001	96
1400-8503	5	2020-0006	90	2631	86	2932-8002	46
1403	4	2020-5002	103	2658	84	2933	86
1457	32	2020-5003	103	2666	84	2935-8000	46
1465	32	2020-5004	103	2700	85	2935-8001	96
1600-5000	102-103, 105	2020-7000	103	2710	14	2936-9000	46
1600-5001	102	2038	54	2710-WB	14	2937-9000	42
1600-5002	98	2040	24	2711	18	2943	91
1600-7000	106	2046	54	2711-WB	18	2946	88
1600-7001	106	2050	24	2740	26	2947	88
1608-0000	102	2054	54	2750	26	2948	88
1608-3001	102	2060	28	2760	30	2949	89
1627	48	2070	28	2770	30	2949-3001	99
1635	48	2110	12	2771	91	2949-8400	99
1643	48	2110-WB	12	2798	91	2949-8600	99
1678	48	2111	16	2801	91	2949-9000	99
1686	48	2111-WB	16	2805	86	2949-9001	89
1694	48	2113-4301	90	2805-CV	86	2949-9002	99
1700-5002	103	2140	24	2828	91	2955-8000	46
1700-8002	46	2143	60	2836	91	2970-2	86
1701-3307	107	2150	24	2844	91	2970-3	86
1704	89	2151	60	2852	79	2976	93
1705	86	2160	28	2900-3003	96	2980	40
1708	48	2170	28	2900-3004	96	2980-R001	104
1716	48	2178	60	2900-3309	108	2980-R002	104
1724	48	2186	60	2900-3310	108	2980-R004	104
1731	56	2194	60	2900-3311	108	2980-R005	104
1731-1	56	2200	85	2900-3312	108	2980-R006	104
1744	56	2200-CV	85	2900-3408	108	2980-R007	104
1759	48	2200-0000	92	2900-5000	96	2980-R008	104
1770-0006	86	2200-2301	103	2901	91	2980-R009	104
1770-0007	86	2200-3300	103	2901-0000	91	2980-R010	104
1771-0003	56	2200-3402	103	2901-0001	91	2980-R011	104
1773-1	56	2200-5000	103	2901-10	91	2980-R013	104
1778	52	2201	85	2901-12	91	2980-R020	104
1780	80	2201-CV	85	2901-14	91	2980-R023	104
1783	50	2208	60	2901-16	91	2980-R027	104
1790-1	86	2210	14	2901-8	91	2980-R028	104
1790-8001	63	2210-WB	14	2901-83	90	2980-0000	42-45
1792	86	2211	18	2901-8301	90	2980-3000	104
1801	42, 43	2211-WB	18	2902-12	91	2981-R000	104
1801-3004	42	2216	60	2903	84	2981-R006	104
1801-3006	108	2224	60	2905	64	2981-R008	104
1801-3007	108	2232	84	2905	64	2981-R012	104

Model #	Catalog Page	Model #	Catalog Page	Model #	Catalog Page	Model #	Catalog Page
2981-R015	104	3300-CV	84	4013	60	6343	88
2981-R019	104	3310	48	4014	60	6440-2100	80
2981-R023	104	3311	48	4230	60	6441-2400	80
2981-R024	104	3312	48	4231	60	6540-2100	80
2984	40	3313	48	4510	60	6541-2400	80
2984-R001	104	3314	48	4511	60	6544-0000	79
2984-R002	104	3315	52	4512	60	6550-2100	80
2984-R003	104	3316	52	4513	60	6556	80
2984-R006	104	3336	90	4514	60	6560	80
2984-R008	104	3500	84	4730	60	6571	80
2984-R010	104	3500-CV	84	4731	60	6580-5000	80
2984-R020	104	3510	48	4750	50	6642-2100	80
2984-0000	42-45	3511	48	4750-0000	85	6651-9000	80
2984-3400	108	3512	48	4900	85	6740-2100	80
2984-3401	108	3513	48	5000	94	6750-9000	80
2985	40	3514	48	5000-0001	95	6780-5000	80
2985-R016	104	3515	52	5000-0002	95	8253	62
2985-R017	104	3516	52	5000-0003	95	8254-3400	108
2985-R018	104	3525	52	5000-0005	101	8261	62
2985-0000	42-45	3526	52	5000-0006	101	9033	4
2990-3000	99	3600	85	5000-0007	101	9041	93
2990-3001	99	3600-CV	85	5000-0010	101	9041-9001	92
2992	93	3610	50	5000-0011	101	9090-8003	108
3000-0000	101	3611	50	5000-0012	101	9094-2300	106
3000-0001	101	3612	50	5000-0013	101	9094-3000	106
3000-0003	93	3613	50	5000-0020	95	9102	50
3000-0010	101	3614	50	5000-2103	92	9106-4300	5
3000-0011	101	3615	54	5000-3305	101	9131	54
3000-5000	103	3616	54	5000-3308	101	9158	32
3000-5002	103, 105	3700	85	5000-5001	107	9159	32
3000-6001	102	3710	50	5000-5002	101	10006	92
3000-8000	92	3711	50	5000-5003	101	10022	92
3000-8002	92	3712	50	5008	95	10073	89
3010	48	3713	50	5008-0002	107	10200	4
3011	48	3714	50	5008-0003	107	10219	92
3012	48	3715	54	5008-0004	107	10391	108
3013	48	3716	54	5008-0005	107	10448	80
3014	48	3800	84	5010	66	10464	100, 101
3015	52	3810	48	5011	66	10472	90, 107
3016	52	3811	48	5011-3300	108	10480	90, 107
3026	52	3812	48	5011-6	95	10499	73, 106
3041	64	3813	48	5012	66	10502	75, 106
3042	64	3814	48	5014	66	10529	84
3042-0000	102	3815	52	5030	70	10774	105, 106
3042-3004	5	3816	52	5040	72	10782	105, 106
3042-3301	102	3900	85	5071	95	10812	89
3042-3400	102	3900-0002	85	5200	94	10820	89
3042-5000	102	3910	50	5200-CV	94	10839	87
3042-5004	102	3911	50	5200-2301	107	10863	89
3042-7000	102	3912	50	5200-3400	107	10901	80
3042-8000	102	3913	50	5200-5000	107	10928	80
3043	64	3914	50	5200-8300	107	11010	93
3069	108	3915	54	5212	66	11053	92
3070	82	3916	54	5214	66	11061	89
3070-0000	102	3960	93	5240	72	11118	106
3070-3402	102	3961	93	5300	94	11126	105, 106
3070-6002	102	3962	93	5300-CV	94	11134	105, 106
3074	82	3963	93	5312	66	11150	106
3076	82	3964	93	5314	66	11169	105, 106
3110	48	3965	93	5340	72	11177	106
3111	48	3966	93	5400	94	11185	105, 106
3112	48	3967	93	5400-CV	94	11207	105, 106
3113	48	3968	93	5412	66	11215	105, 106
3114	59, 93	3969	93	5414	66	11223	105, 106
3115	52	3975	93	5440	72	11231	106
3116	52	3976	93	5700	94	11258	106
3118	48	3976-9000	42	5712	66	11266	106
3126	52	3982-9000	92	5714	66	11274	105, 106
3170	82	3983	102	5730	70	11282	97
3174	82	3983-2302	92	5740	72	11347	98
3176	82	3984	102	6000-0003	106	11355	99
3200	85	3984-2300	92	6000-5002	106	11444	107
3200-CV	85	3990	46	6124-4400	79, 105, 106	12114	87
3200-2306	103	3990-8000	46	6125-4400	79, 105, 106	12122	87
3200-2307	103	3990-8001	96	6126-5000	105, 106	12130	87
3201	85	3991	46	6126-7400	105, 106	12149	87
3201-CV	85	4000-0001	93	6128	79	12157	87
3250	50	4000-0002	93	6129	79	12165	87
3251	50	4000-0004	102	6130	79	12173	87
3252	50	4000-3300	93	6240-2100	80	12181	87
3253	50	4000-7300	102	6241-2400	80	12203	87
3254	50	4000-8100	102	6250-2100	80	12211	87
3255	54	4010	60	6260	80	12238	87
3256	54	4011	60	6271	80		
3300	84	4012	60	6280-5000	80		



Numerical Index

Model #	Catalog Page	Model #	Catalog Page	Model #	Catalog Page	Model #	Catalog Page
12246	87	20230	105	34401	22		
12254	87	21229	105	34428	22		
12262	87	21334	105, 106	34436	22		
12270	87	21342	105, 106	34444	22		
12289	87	21393	105	34452	22		
12297	87	21849	59	34460	22		
12300	87	22209	78	34479	22		
12319	87	22233	105	34487	22		
12327	87	22241	105	34495	22		
12335	87	22276	105	34509	22		
12343	87	22284	105	34517	22		
12351	87	22292	105	34525	22		
12378	87	22306	78	34533	22		
12386	87	22314	78	34541	22		
12394	87	22322	78	34568	22		
12408	87	22330	78	34576	22		
12416	87	22349	78	34584	22		
12424	87	22365	78	34592	22		
12432	87	22373	78	34606	22		
12440	87	22381	78	34614	22		
12459	87	22411	78	93874	93		
12475	108	22438	78				
12483	108	22446	78				
12505	108	22535	105				
12513	4	22764	105				
12564	103	22780	79				
12580	108	23426	105				
12610	91	28231	43				
12637	107	28266	43				
12726	4	28932	78				
12769	108	28940	78				
12785	108	28959	78				
12793	57	28967	78				
12815	84	28975	78				
12882	54	28983	78				
12890	84	28991	78				
13064	84	29009	78				
13072	84	29017	78				
13080	84	29025	78				
13110	107	29033	78				
13129	107	29041	78				
13137	108	29203	11, 47				
13153	85	29262	41				
13161	85	29475	43				
13188	85	29548	62				
13196	85	29556	62				
13218	50	29599	41				
13226	54	29602	41				
13234	50	29610	41				
13242	50	29629	41				
13250	50	29637	41				
13269	50	29645	41				
13277	50	29653	41				
13285	54	29688	43				
13293	54	30376	80				
13307	54	32026	40				
13366	14	34096	20				
13390	14	34118	20				
13404	18	34126	20				
13412	18	34134	20				
13420	18	34142	20				
13439	18	34150	20				
13676	86	34169	20				
13714	108	34177	20				
13803	106	34185	20				
13811	106	34193	20				
14052	107	34207	20				
14087	68	34215	20				
14109	93	34223	20				
14230	92	34231	20				
14249	86	34258	20				
14281	108	34266	20				
14346	108	34274	20				
14443	43, 46	34282	20				
14540	43, 46	34290	20				
14621	108	34304	20				
14869	108	34312	20				
14877	92	34320	20				
17396	97	34339	20				
17434	97	34347	20				
17639	86	34355	22				
18694	103	34363	22				
18937	105	34371	22				
20133	59	34398	22				
20168	105						

FISHER



FISHER MANUFACTURING COMPANY

P.O. Box 60 · Tulare, CA 93275-0060
1900 "O" Street · Tulare, CA 93274-6850
Toll Free: 800/421-6162
Fax: 800/8-FAUCET (800/832-8238)
www.fisher-mfg.com

JUL11 -2.5-15710 ©Fisher Manufacturing Co., Inc.