

APPLICATION:
 JOB NAME:
 QUANTITY: ITEM NO.

PRODUCT NAME:
 DrainKing WASTE VALVE
 SPECIAL CONFIGURATION
 CHECK BASE MODEL AND OPTIONS

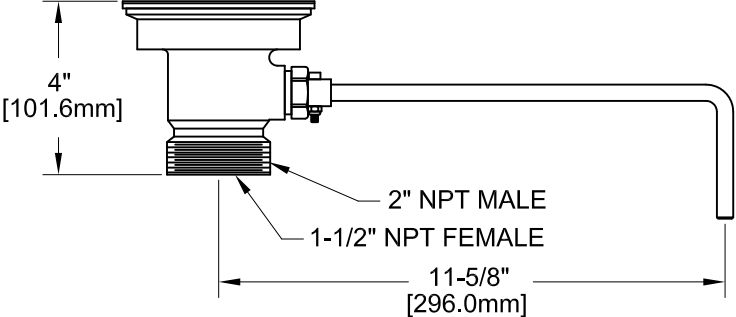
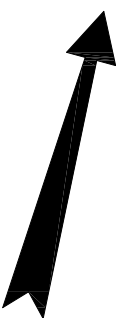
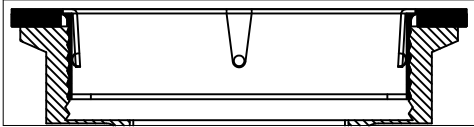
MODEL:
 22209 WITH FLAT STRAINER

OPTIONS OR MODIFICATIONS:
 OTHER _____

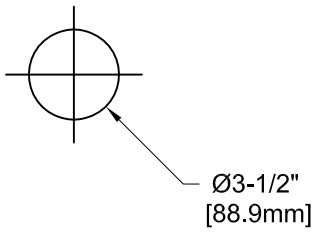
- FEATURES:
- * DUAL TEFLON SEALS
 - * STAINLESS STEEL BALL
 - * CAST RED BRASS BODY
 - * EXTRA STURDY STAINLESS STEEL CLAMPING RING
 - * "CLEAR THROUGH" OPENING - NO NEED TO DISASSEMBLE IF SNAKING IS REQUIRED
 - * INDUSTRY STANDARD "SEALING" ANGLE - FITS FLUSH TO STANDARD STAINLESS STEEL SINKS
 - * STAINLESS STEEL FLAT STRAINER
 - * 1/4 TURN FULLY OPENS AND CLOSES VALVE

DRAIN RATE:
 * 12 GPM

SHIPPING WEIGHT



ROUGH-IN:



FISHER
 FISHER MANUFACTURING COMPANY
 TOLL FREE: 800-421-6162 - FAX: 800-832-8238
 information@fisher-mfg.com - www.fisher-mfg.com