



(Shown with pendant mount. See how to order for mounting options)



► Model 27XST

Explosion-Proof Strobe Light



Federal Signal's Model 27XST explosion-proof strobe light features a voltage in-rush limiting PCB design that provides greater compatibility with factory automation control systems and less electrical interference with in-rush sensitive devices.

Federal Signal's Model 27XST has an effective candela (ECP) of 850 and a two million peak candela. Three mounting options available: pendant, ceiling or 90° wall mount. For easy installation, the mounting box is first installed and the fixture is then threaded onto the mounting box, making the electrical connection. Pre-install the mounting bracket, electrical continuity is made when five threads are engaged.

Federal Signal's Model 27XST is specifically designed for explosion-proof atmospheres and/or corrosive environments. Because it is easy to install and requires very low maintenance, it is ideal for use in areas such as oil rigs, mines, refineries, and chemical plants.

FEATURES

- Approved for mounting in any manner-including dome up
- Available in 24VDC, 120VAC and 240VAC
- Six lamp/lens colors: Amber, Blue, Clear, Green, Magenta and Red
- 10,000 hour strobe tube
- 3/4" NPT pendant, ceiling and wall mount options available
- Dome guard optional
- Type 4X, IP66 enclosure
- Marine Rated
- UL and cUL Listed for Class I, Division 1 and 2, Groups C and D; Class I, Division 2, Groups A and B; Class II Division 1, Groups E, F, and G and Class III
- CSFM Approved

| MODEL | VOLTAGE | OPERATING CURRENT | FLASH RATE/ MINUTE | CANDELA | |
|-------------------------------------|----------------|-----------------------------|--------------------|-------------------|------------------|
| | | | | PEAK ² | ECP ³ |
| 27XST-024 * -MOD¹ | 24VDC | 1.90 amps (3.0 amp In-rush) | 80 | 2,000,000 | 850 |
| 27XST-120 * -MOD¹ | 120VAC 50/60Hz | 1.14 amps | 80 | 2,000,000 | 850 |
| 27XST-240 * -MOD¹ | 240VAC 50/60Hz | 1.14 amps | 80 | 2,000,000 | 850 |

* Indicates color: (A) Amber, (B) Blue, (C) Clear, (G) Green or (R) Red (Magenta available in 120VAC model only)

¹ See "how to order" for mounting options

² Peak candela is the maximum light intensity generated by a flashing light during its light pulse

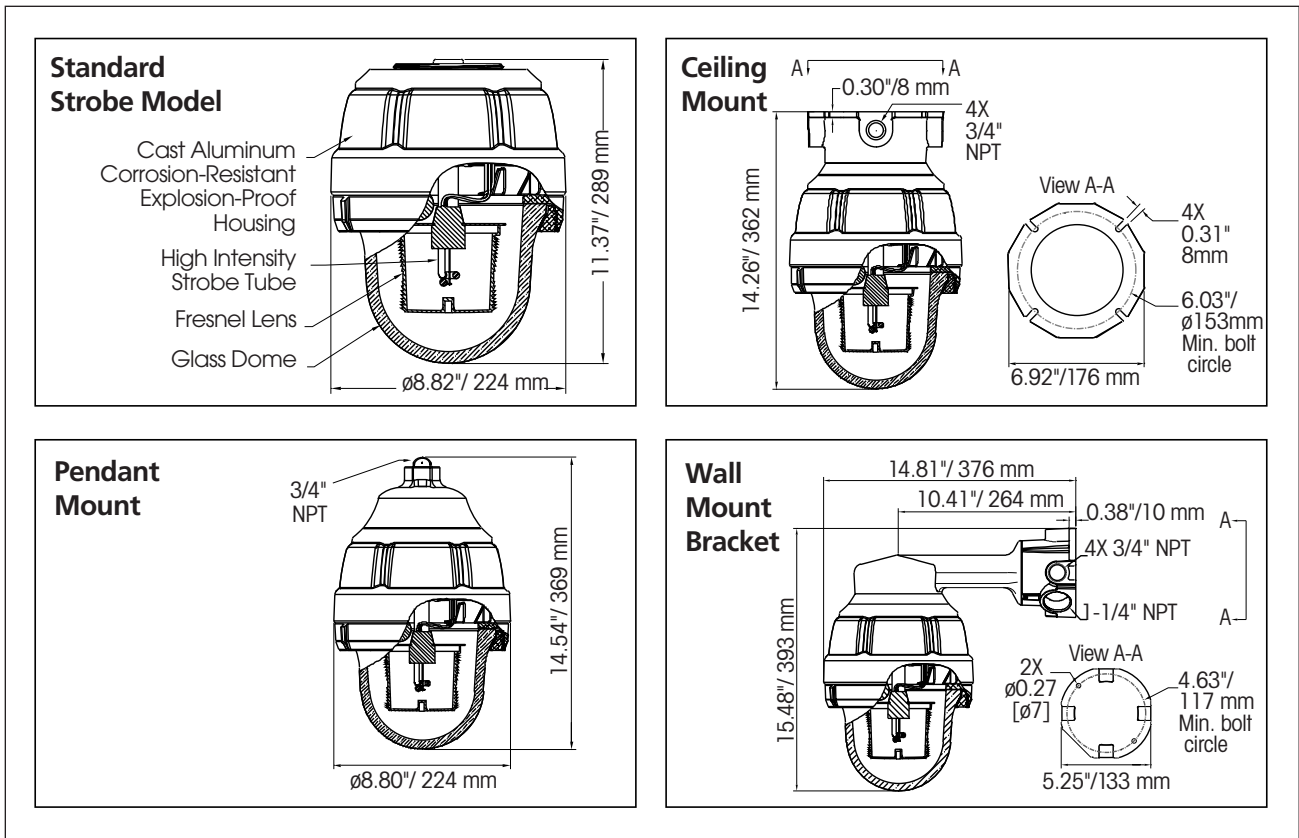
³ ECP (Effective Candela) is the intensity that would appear to an observer if the light were burning steadily

HAZARDOUS LOCATION RATING: 27XST

T-CODE AT MAXIMUM AMBIENT TEMPERATURE, °C

| Hazardous Location | 40°C | 65°C |
|--------------------------------------|------|------|
| Class I, Division 1 & 2, Groups C, D | T6 | T4A |
| Class I, Division 2, Groups A, B | T2 | T2 |
| Class II, Division 1, Groups E, F, G | T6 | T4A |
| Class III | T6 | T4A |

Explosion-Proof Strobe Light (27XST)



SPECIFICATIONS

| | | |
|--------------------------|----------------|---------------|
| Lamp Life: | 10,000 Hours | |
| Light Source: | Strobe Tube | |
| Operating Temperature: | -67°F to 150°F | -55°C to 65°C |
| Net Product Weight | | |
| Signal without Mounting: | 13.9 lbs | 6.3 kg |
| Ceiling Mount: | 4.5 lbs | 2.0 kg |
| Pendant Mount: | 2.0 lbs | 0.9 kg |
| Wall Mount: | 5.9 lbs | 2.7 kg |

HOW TO ORDER

27XST - 024 A - MOD

TYPE
27XST

VOLTAGE
024 (24VDC)
120 (120VAC)
240 (240VAC)

COLOR
A Amber
B Blue
C Clear
G Green
M Magenta
R Red

Specify Optional Mounting:*

| Description | Part Number |
|---------------|-------------|
| Ceiling Mount | CMXC-SB |
| Pendant Mount | PMXC-SB |
| Wall Mount | WMXC-SB |

* Mounting kit must be ordered with unit, sold separately

REPLACEMENT PARTS

| Description | Part Number |
|---------------------------------|---------------|
| Exterior Dome Assembly, Clear | K8436147A |
| Interior Lens Assembly, Amber | K8550C095A-02 |
| Interior Lens Assembly, Blue | K8550C095A-01 |
| Interior Lens Assembly, Clear | K8550C095A |
| Interior Lens Assembly, Green | K8550C095A-04 |
| Interior Lens Assembly, Magenta | K8550C095A-07 |
| Interior Lens Assembly, Red | K8550C095A-03 |
| 24VDC Mechanism | K8436107F-03 |
| 120VAC Mechanism | K8436107E-02 |
| 240VAC Mechanism | K8436107E-01 |
| Strobe Tube | K8107159A |

OPTIONAL ACCESSORIES

| Description | Part Number |
|-------------|-------------|
| Dome Guard | DGXC-SB |