



**FEDERAL SIGNAL**  
Safety and Security Systems

## Commander® Rotating Light Model 371LED-120

**LED**



---

### *Installation and Maintenance Manual*

2562671A  
REV. A2 1118  
Printed in U.S.A.

français.....page 17  
español.....página 33



**Warranty** – Seller warrants all goods for five years on parts and 2-1/2 years on labor, under the following conditions and exceptions: Seller warrants that all goods of Seller's manufacture will conform to any descriptions thereof for specifications which are expressly made a part of this sales contract and at the time of sale by Seller such goods shall be commercially free from defects in material or workmanship. Seller reserves the right at the Seller's discretion to "Repair and Return" or "Replace" any item deemed defective during the warranty period. This warranty does not cover travel expenses, the cost of specialized equipment for gaining access to the product, or labor charges for removal and reinstallation of the product. This warranty shall be ineffective and shall not apply to goods that have been subjected to misuse, neglect, accident, damage, improper maintenance, or to goods altered or repaired by anyone other than Seller or its authorized representative, or if five years have elapsed from the date of shipment of the goods by Seller with the following exceptions: lamps and strobe tubes are not covered under this warranty. Outdoor warning sirens and controllers manufactured by Federal Warning Systems are warranted for two years on parts and one year on labor. No agent, employee, representative or distributor of Seller has any authority to bind the Seller to any representation, affirmation, or warranty concerning the goods and any such representation, affirmation or warranty shall not be deemed to have become a part of the basics of the sales contract and shall be unenforceable. THE FOREGOING WARRANTIES ARE EXCLUSIVE AND IN LIEU OF ALL OTHER WARRANTIES OR MERCHANTABILITY, FITNESS FOR PURPOSE AND OF ANY OTHER TYPE, WHETHER EXPRESS OR IMPLIED. These warranties shall not apply unless Seller shall be given reasonable opportunity to investigate all claims for allegedly defective goods. Upon Seller's instruction a sample only of allegedly defective goods shall be returned to Seller for its inspection and approval. The basis of all claims for alleged defects in the goods not discoverable upon reasonable inspection thereof pursuant to paragraph 8 hereof must be fully explained in writing and received by Seller within thirty days after Buyer learns of the defect or such claim shall be deemed waived.



2645 Federal Signal Drive • University Park, IL 60484-3167  
Tel: 708-534-4756 • Fax: 708-534-4852  
Email: [customersupport@fedsig.com](mailto:customersupport@fedsig.com)  
[www.fedsig.com](http://www.fedsig.com)

---

## Contents

|   |           |
|---|-----------|
| <b>Safety Messages to Installers .....</b>            | <b>5</b>  |
| <b>An Overview of the Model 371LED-120 .....</b>      | <b>6</b>  |
| <b>Unpacking the Light .....</b>                      | <b>6</b>  |
| <b>Mounting the Light .....</b>                       | <b>8</b>  |
| Pipe Mounting the Light .....                         | 8         |
| Surface Mounting the Light .....                      | 9         |
| <b>Wiring the Light .....</b>                         | <b>9</b>  |
| <b>Safety Messages to Maintenance Personnel .....</b> | <b>12</b> |
| <b>Maintaining the Model 371LED-120 .....</b>         | <b>12</b> |
| <b>Getting Service, Assistance, and Parts .....</b>   | <b>13</b> |
| Repair Service .....                                  | 13        |
| Technical Assistance.....                             | 13        |
| Accessories and Replacement Parts .....               | 13        |
| <b>Returning the Product for Credit .....</b>         | <b>15</b> |

## Figures

|   |           |
|---|-----------|
| <b>Figure 1</b> Mounting options.....                       | <b>8</b>  |
| <b>Figure 2</b> Connecting leads to the terminal block..... | <b>11</b> |

**Tables**

**Table 1** Electrical and environmental ratings ..... 7

**Table 2** Dimensions..... 7

**Table 3** Replacement parts ..... 14

**Table 4** Accessories ..... 14

## **Safety Messages to Installers**

### **⚠ WARNING**

It is important to follow all instructions shipped with this product. This device is to be installed by a trained electrician who is thoroughly familiar with the National Electrical Code and/or Canadian Electrical Code and will follow the NEC and/or CEC Guidelines as well as all local codes. This light should be considered a part of the warning system and not the entire warning system.

The selection of the mounting location for the light, its controls and the routing of the wiring are to be accomplished under the direction of the facilities engineer and the safety engineer. In addition, listed below are some other important safety instructions and precautions you should follow:

- Read and understand all instructions before installing or operating this light.
- Do not connect this light to the system when power is on.
- After installation, make sure that all set screws and threaded joints are properly tightened.
- To be an effective warning device, this product produces bright light that can be hazardous to your eyesight when viewed at a close range. Do not stare directly into this lighting product at a close range or permanent damage to your eyesight may occur.
- After installation, test the light to make sure that it is operating properly.
- After testing is complete; provide a copy of this instruction booklet to all personnel.
- Establish a procedure to routinely check the light for proper activation and operation.

Failure to follow all safety precautions and instructions may result in property damage, serious injury, or death.

## **An Overview of the Model 371LED-120**

Federal Signal Model 371LED-120 warning light incorporates an array of high power LEDs, a custom optic, and a rotating reflector to focus a beam of light that rotates 360 degrees within a plastic dome.

The Model 371LED-120 features a impact-resistant plastic dome. The Model 371LED is available in five colors: amber, blue, clear, green, and red. The dome-and-ring assembly screws on, providing access to the interior of the light. The base features textured black powder paint for greater corrosion-resistance. Wiring can be routed through the pipe-mount opening in the bottom of the light or the two side knockouts can be used for side entry wiring. Installation can be surface or 1-inch NPT pipe mount.

Also available is an optional wall-mount bracket. The LHWB wall-mount bracket can be used to mount the Model 371LED. For surface mounting on solid substrates, the separately purchased Model 371BRCKT three-point surface-mount bracket is available.

## **Unpacking the Light**

After unpacking the light, examine it for damage that may have occurred in transit. If the light has been damaged, do not attempt to install or operate it. File a claim immediately with the carrier, stating the extent of the damage. Carefully check all envelopes, shipping labels, and tags before removing or discarding them. Disposal of all shipping materials must be carried out in accordance with national and local codes and standards. If any parts are missing, please call Federal Signal Customer Support at 708-534-4756.

**Table 1** Electrical and environmental ratings

|                                |                                   |
|--------------------------------|-----------------------------------|
| Operating Voltage:             | 120 Vac 50 Hz/60 Hz               |
| Flash Rate:                    | 60 FPM                            |
| Maximum Operating Current, mA: | 320 mA                            |
| In-rush Current:               | 25.1 A for 0.63 ms                |
| Operating Temperature:         | -31 °F to 104°F (-35 °C to 40 °C) |
| Environmental Ratings:         | Type 4X, IP66                     |

**Table 2** Dimensions

|                  |                     |
|------------------|---------------------|
| Height:          | 11.38 in (288.9 mm) |
| Diameter:        | 9.12 in (231.6 mm)  |
| Net Weight:      | 7.1 lb (3.2 kg)     |
| Shipping Weight: | 8.1 lb (3.7 kg)     |

## Mounting the Light

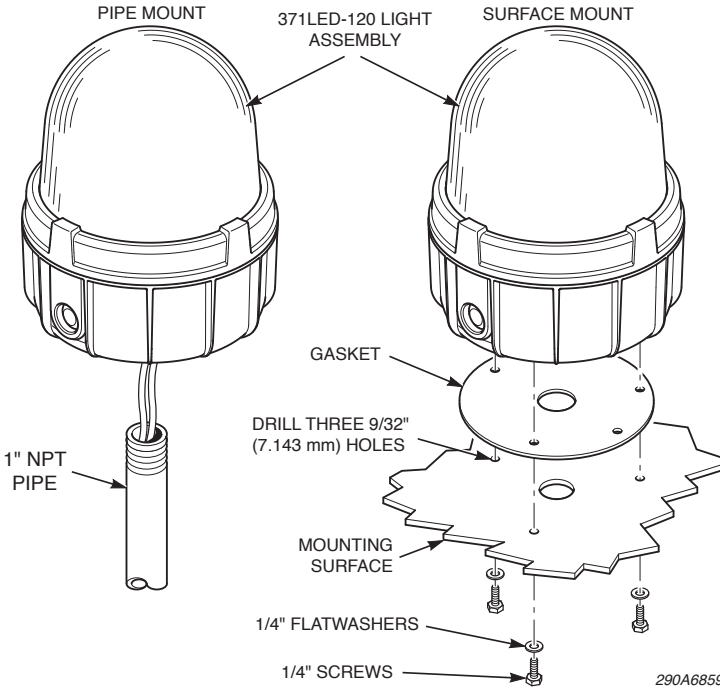
The Model 371LED-120 light is designed for mounting on a flat horizontal surface or on a 1-inch NPT pipe. For surface mounting on solid substrates, the separately purchased Model 371BRCKT surface mounting bracket can be used. If conduit side-entries are to be used, disassemble the light as described in “Wiring the Light” on page 9 and remove one or more knockouts with a blunt tool before mounting the light. Use a file to remove excess flash around the knockout.

**INSTALLATION NOTE:** To avoid moisture buildup within the light enclosure in highly humid areas where condensation is present in the conduit system, duct sealant or other suitable materials are recommended for sealing the wires/conduit entrances.

### **Pipe Mounting the Light**

Attach the light to the 1-inch NPT pipe by threading the light clockwise on the pipe (Figure 1). For information on making the electrical connections, see “Wiring the Light” on page 9.

**Figure 1** Mounting options



### **Surface Mounting the Light**

To mount the light on a flat surface:

1. Using the gasket as a template, scribe four drill-position marks on the mounting surface (Figure 1).
2. Drill a 9/32-inch (7.1 mm) diameter hole at each of the outside drill-position marks for mounting.
3. Drill or punch a 1-3/8 inch (34.9 mm) diameter hole at the center drill-position mark for the wire entry.
4. Attach a suitable 1-inch NPT hub or connector to conduit



entrance in bottom of light. For Type 4X/IP66 applications, the hub or connector must be suitably rated (Myers® STTTB-2 or T&B® H100-TB hubs are recommended.)

5. Set the light on the gasket and attach it to the mounting surface with the provided 1/4-inch screws and washers.
6. For information on making the electrical connections, see below.

## **Wiring the Light**

### **⚠ WARNING**

#### ***SHOCK HAZARD***

***To avoid electrical shock hazards, do not connect wires while power is applied.***

The Model 371LED comes assembled from the factory with two color-coded leads for wiring to a junction box. If desired, the factory leads can be removed and the supply connections can be directly made to the terminal block located on the bottom of the light base as described below

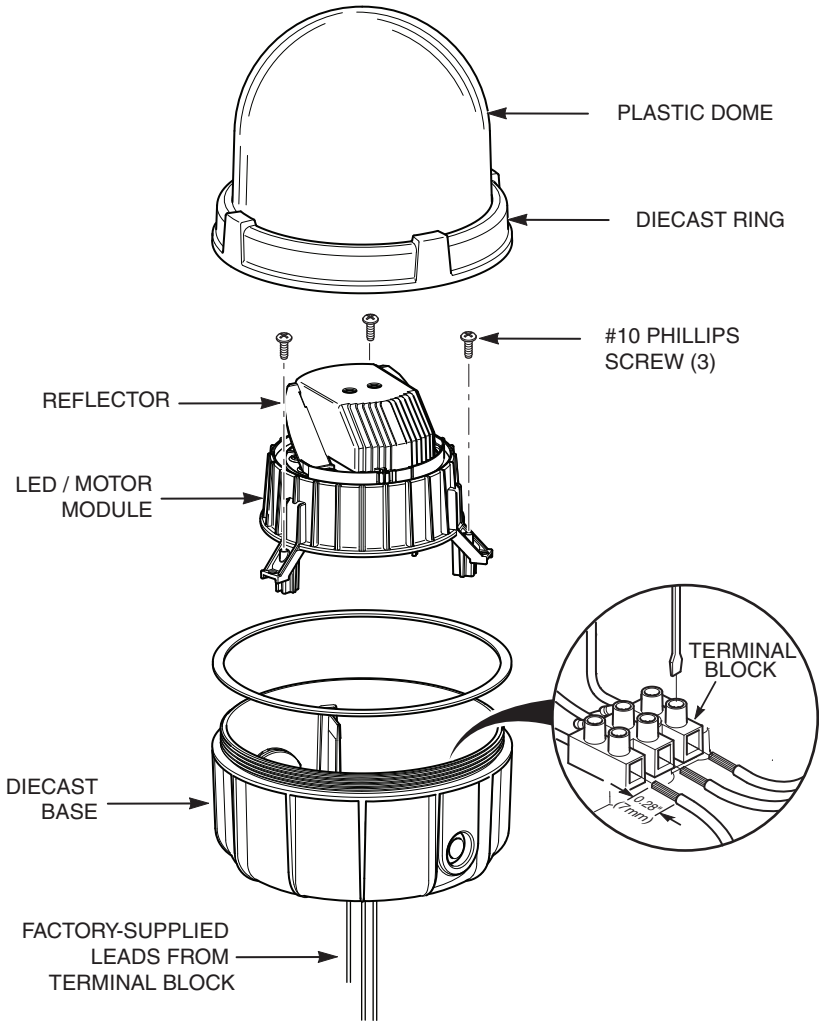
1. Disassemble the light (Figure 2 on page 11):
  - a) Remove the dome assembly by grasping the die-cast ring attached to the dome and turning it counter-clockwise.
  - b) Remove three #10 Phillips screws that secure the LED/motor module to the housing.
  - c) Remove the LED/motor module.
  - d) If preferred, remove the factory-supplied leads from the terminal block.

## ***Installation and Maintenance Instructions***

---

2. If you are using conduit side-entries, attach a Myers® STTTB-2 or a T&B® H075TBH 3/4-inch NPT conduit hub with a 3/4-inch NPT close nipple (both installer-supplied) to the housing and securely tighten the hub. When side entries are used, the bottom 1-inch NPT conduit entry must be plugged with a threaded plug (installer-supplied). (See “Table 4 Accessories” on page 14.)
3. Route the supply wires (10 AWG to 16 AWG) into the light housing.
4. Strip a maximum of 0.28 inch (7 mm) of insulation from the ends of the power leads. Connect the wires to the terminal block by inserting the stripped ends of the wires into the connectors as far as they can travel.
5. Tighten the clamping screw. The maximum tightening torque is 7.0 in-lb (0.8 N•m).
6. Connect the earth ground to the terminal block.
7. Reassemble the light and test it for proper operation.

**Figure 2** Connecting leads to the terminal block



## **Safety Messages to Maintenance Personnel**

Listed below are some important safety instructions and precautions you should follow:

- Read and understand all instructions before operating this system.
- Any maintenance to the light system must be done with the power turned off.
- Any maintenance to the light system must be performed by a trained electrician in accordance with NEC/CEC Guidelines and local codes.
- Never alter the unit in any manner. Safety may be endangered if additional openings or other alterations are made to units.
- The nameplate, which contains cautionary or other information of importance to maintenance personnel, should not be obscured.
- If the dome is damaged in any way, the complete dome assembly **MUST** be replaced.
- After performing any maintenance, test the light system to ensure that it is operating properly.

Failure to follow all safety precautions and instructions may result in property damage, serious injury, or death.

## **Maintaining the Model 371LED-120**

Establishing a regular maintenance schedule for the Model 371LED-120 extends the life of the light and ensures safety. Periodically check that the light operates properly. Also, inspect the dome for cracks, crazing (hairline cracks), discoloration, and other defects.

The threaded dome ring joint should be well lubricated with petroleum or a soap-thickened mineral oil. If corrosive products have accumulated on joints and cannot readily be removed with solvents, the parts should be discarded and replaced.

## **Cleaning the Dome**

**NOTE:** Maintenance procedures sometimes require fixtures to be hosed down for good housekeeping. The electrical circuit should be turned off prior to hosing down the light.

Clean the dome periodically to maintain maximum light output. Use only mild, non-abrasive cleaning agents.

## **Getting Service, Assistance, and Parts**

Federal Signal will service your product and provide technical assistance and support. Please call the phone numbers listed below. For instruction manuals and information about related products, please go to <http://www.federal-signal-indust.com>.

### ***Repair Service***

Products returned for repair require a Return Authorization form. To obtain service for the product, please contact the Federal Signal Service Department at 708-534-4858.

### ***Technical Assistance***

For technical assistance, please call Technical Support at 708-534-3424, extension 5823.

### ***Accessories and Replacement Parts***

Typical replacement parts are listed on page 14. Due to certification, certain component parts are not available for field replacement. Units with this type of damage must be either replaced entirely or returned to Federal Signal for service.

The LED / Motor Modules in Table 4 on page 14 include the following parts: motor bracket, LED PCBA, power supply PCBA, thermal pads, standard reflector, and dome gasket.

To order accessories and replacement parts, please call Federal Signal Customer Support at 708-534-4756.

**Table 3** Replacement parts

| <b>Description</b>           | <b>Part Number</b> |
|------------------------------|--------------------|
| Plastic Dome Assembly, Amber | K8459125           |
| Plastic Dome Assembly, Blue  | K8459125-01        |
| Plastic Dome Assembly, Clear | K8459125-02        |
| Plastic Dome Assembly, Green | K8459125-03        |
| Plastic Dome Assembly, Red   | K8459125-04        |
| Gasket, Surface Mount        | K8459127           |
| LED / Motor Module, Amber    | K8459159-A         |
| LED / Motor Module, Blue     | K8459159-B         |
| LED / Motor Module, White    | K8459159-W         |
| LED / Motor Module, Green    | K8459159-G         |
| LED / Motor Module, Red      | K8459159-R         |

**Table 4** Accessories

| <b>Description</b>        | <b>Part Number</b> |
|---------------------------|--------------------|
| Wall-Mount Bracket        | LWMB2              |
| Corner-Mount Bracket      | LCMB2              |
| Mounting Bracket, Surface | 371BRCKT           |
| Conduit Hub Kit, 3/4" NPT | K8459138           |
| Close-Up Plug, 1" NPT     | K8459130           |

## **Returning the Product for Credit**

Product returns for credit require a return authorization from your local distributor prior to returning the product to Federal Signal. Please contact your distributor for assistance.

A product is qualified to be returned for credit when the following conditions are met:

- Product is resalable and in the original cartons
- Product has not been previously installed
- Product is the current revision
- Product has not been previously repaired
- Product is a standard product
- Product is not a service part

All returns are subject to a re-stock fee.

Defective products that are returned within the warranty period will be repaired or replaced at Federal Signal's sole discretion. Defective products do not include those products with lamp failure.

Circumstances other than those listed above will be addressed on a case-by-case basis.







**FEDERAL SIGNAL**  
Safety and Security Systems

## Feu tournant Commander<sup>MD</sup> modèle 371 LED-120

**LED**



---

*Manuel d'installation  
et d'entretien*



**Garantie** – Tous les produits du vendeur sont couverts par une garantie de cinq ans pour les pièces et de deux ans et demi pour la main-d'œuvre selon les conditions et exceptions suivantes : le vendeur garantit que tous les produits qu'il fabrique seront conformes aux descriptions correspondant aux spécifications qui font expressément partie de ce contrat de vente et qu'au moment de la vente par le vendeur, de tels produits devront être exempts de défauts de matériau et de fabrication. Le vendeur se réserve le droit, à sa discrétion, de « réparer et renvoyer » ou « remplacer » tout article jugé défectueux durant la période de garantie. Cette garantie ne couvre pas les frais de déplacement, le coût de l'équipement spécialisé pour avoir accès au produit ou les frais de main-d'œuvre liés au retrait et à la réinstallation du produit. Cette garantie sera sans effet et ne s'appliquera pas aux produits qui ont subi un mauvais usage, une négligence, un accident, des dommages ou un entretien inapproprié, ou aux produits modifiés ou réparés par toute personne autre que le vendeur ou son représentant autorisé, ou si cinq ans se sont écoulés depuis la date de l'envoi des produits par le vendeur avec les exceptions suivantes : les lampes et les tubes stroboscopiques ne sont pas couverts par cette garantie. Les sirènes d'alarme extérieures et les contrôleurs fabriqués par Federal Warning Systems sont couverts par une garantie de deux ans sur les pièces et de un an sur la main-d'œuvre. Aucun agent, employé, représentant ou distributeur du vendeur n'est autorisé à lier le vendeur à une représentation, affirmation, ou garantie relative aux produits et une telle représentation, affirmation, ou garantie ne pourra pas être considérée comme faisant partie des généralités du contrat de vente et sera inexécutable. LES GARANTIES CI-DESSUS SONT EXCLUSIVES ET REMPLACENT TOUTES LES AUTRES GARANTIES DE QUALITÉ MARCHANDE, DE COMPATIBILITÉ À UN USAGE PARTICULIER OU D'UN AUTRE TYPE, QU'ELLES SOIENT EXPRESSES OU IMPLICITES. Ces garanties ne s'appliqueront pas si le vendeur n'a pas la possibilité raisonnable d'enquêter sur toutes les réclamations de produits présumés défectueux. À la demande du vendeur, un seul échantillon des produits présumés défectueux lui sera renvoyé pour inspection et approbation. La raison de toute réclamation pour des défauts présumés des produits ne pouvant être découverts après une inspection raisonnable en vertu du paragraphe 8 ci-contre doit être entièrement expliquée par écrit et reçue par le vendeur dans les trente jours après que l'acheteur a pris connaissance du défaut. Sinon, une telle réclamation sera considérée comme nulle.



**FEDERAL SIGNAL**

Safety and Security Systems

2645 Federal Signal Drive • University Park, IL 60484-3167

Tél. : 708-534-4756 • Télécopie : 708-534-4852

Courriel : [customersupport@fedsig.com](mailto:customersupport@fedsig.com)

[www.fedsig.com](http://www.fedsig.com)

---

## Table des matières

|  |           |
|--|-----------|
| <b>Messages de sécurité destinés aux installateurs .....</b>       | <b>21</b> |
| <b>Présentation du modèle 371LED-120 .....</b>                     | <b>22</b> |
| <b>Déballage de la lumière.....</b>                                | <b>22</b> |
| <b>Montage de la lumière.....</b>                                  | <b>24</b> |
| Montage sur tube de la lumière .....                               | 24        |
| Montage en saillie de la lumière.....                              | 24        |
| <b>Câblage de la lumière.....</b>                                  | <b>26</b> |
| <b>Messages de sécurité destinés au personnel d'entretien.....</b> | <b>28</b> |
| <b>Entretien du modèle 371LED-120.....</b>                         | <b>28</b> |
| <b>Entretien, assistance et pièces .....</b>                       | <b>29</b> |
| Service de réparation.....   | 29        |
| Assistance technique .....   | 29        |
| Accessoires et pièces de rechange.....                             | 29        |
| <b>Renvoi du matériel avec obtention d'un crédit.....</b>          | <b>31</b> |

### Illustrations

|   |           |
|---|-----------|
| <b>Illustration 1</b> Options de montage .....                | <b>25</b> |
| <b>Illustration 2</b> Branchement des câbles au bornier ..... | <b>27</b> |

**Tableaux**

|  |    |
|--|----|
| <b>Tableau 1</b> Valeurs électriques et environnementales..... | 23 |
| <b>Tableau 2</b> Dimensions.....                               | 23 |
| <b>Tableau 3</b> Accessoires.....                              | 30 |
| <b>Tableau 4</b> Pièces de rechange.....                       | 30 |

## **Messages de sécurité destinés aux installateurs**

### **▲AVERTISSEMENT**

Bien suivre toutes les instructions fournies avec ce produit. Cet appareil doit être installé par un électricien qualifié qui connaît parfaitement le Code national de l'électricité et/ou le Code canadien de l'électricité, et suivra les directives du CNE et/ou du CCE, ainsi que les codes locaux. Cette lumière doit être considérée comme une partie du système d'avertissement et non comme l'intégralité de celui-ci.

La détermination d'un emplacement pour le montage de la lumière, ses commandes et l'acheminement du câblage doivent être exécutés sous la direction de l'ingénieur des installations et de l'ingénieur de la sécurité. De plus, d'autres précautions et instructions importantes relatives à la sécurité et à observer figurent dans la liste ci-dessous :

- Bien lire et comprendre toutes les instructions avant d'installer ou d'utiliser cette lumière.
- Ne pas regarder fixement et de près ce produit d'éclairage pour éviter des dommages permanents à la vision.
- Après l'installation, s'assurer que toutes les vis de fixation et tous les joints filetés sont correctement serrés.
- Pour être un avertisseur efficace, ce produit émet une lumière vive pouvant être dangereuse pour la vue si elle est regardée de près. Ne pas regarder fixement et de près cet appareil lumineux car cela pourrait avoir des dommages permanents à la vision.
- Après l'installation, tester la lumière pour vérifier son bon fonctionnement.
- Une fois le test effectué, donner une copie de ce manuel d'instructions à tout le personnel.
- Établir une procédure de vérification régulière de l'activation et du bon fonctionnement de la lumière.

Le non-respect de toutes les précautions et instructions de sécurité peut provoquer des dommages à la propriété, des blessures graves voire la mort.

## **Présentation du modèle 371LED-120**

Le modèle 371LED-120 de Federal Signal est doté d'une matrice de diodes électroluminescentes de grande puissance, d'une fibre optique et d'un réflecteur optique rotatif spécial qui concentre un faisceau lumineux tournant sur 360 degrés sous un dôme en plastique.

Le modèle 371LED-120 comprend un dôme en plastique résistant aux chocs. Le modèle 371LED est disponible en cinq couleurs : ambre, bleu, incolore, vert et rouge. L'ensemble du dôme et de la bague est vissé pour permettre d'accéder à l'intérieur de la lumière. Pour une meilleure résistance à la corrosion, la texture de la base est recouverte de peinture en poudre noire. Le câblage peut être acheminé par l'ouverture du montage tubulaire sur la partie inférieure de la lumière, ou par un câblage latéral en utilisant les deux entrées défonçables latérales. Le montage peut être en surface ou avec un tube de 2,54 cm (1 po) à filetage conique.

Des supports de montage en coin et montage mural sont également disponibles. Le support de montage mural LWMB2 et le support de montage en coin LCMB2 peuvent être utilisés pour le montage du modèle 371LED. Pour le montage en saillie sur substrats solides, le support de montage en saillie à trois points de modèle 371BRCKT, acheté séparément, est disponible.

## **Déballage de la lumière**

Après avoir déballé la lumière, l'inspecter pour vérifier qu'aucun dommage n'est survenu lors du transport. Si la lumière a été endommagée, ne pas essayer de l'installer ou de l'utiliser. Déposer immédiatement une réclamation auprès du transporteur en précisant l'étendue des dégâts. Vérifier avec soin toutes les enveloppes, étiquettes d'expédition et autres étiquettes avant de les retirer ou de les détruire. La mise au rébus de tout matériel d'expédition doit être effectuée conformément aux normes et codes locaux et nationaux. En cas de pièces manquantes, communiquer avec le Service à la clientèle de Federal Signal au 708-534-4756.

**Tableau 1** Valeurs électriques et environnementales

|                                 |                                   |
|---------------------------------|-----------------------------------|
| Tension de fonctionnement :     | 120 V c.a 50 Hz/60 Hz             |
| Vitesse de clignotement :       | 60 FPM                            |
| Courant de fonctionnement, mA : | 320 mA                            |
| Courant d'appel :               | 25,1 A pour 0,63 ms               |
| Température de fonctionnement : | 35 °C à 66 °C<br>(31 °F à 150 °F) |
| Valeurs environnementales :     | Type 4X, IP66                     |

**Tableau 2** Dimensions

|                      |                     |
|----------------------|---------------------|
| Longueur :           | 288,9 mm (11,38 po) |
| Diamètre :           | 231,6 mm (9,12 po)  |
| Poids net :          | 3,2 kg (7,1 livres) |
| Poids d'expédition : | 3,7 kg (8,1 livres) |

## **Montage de la lumière**

Le modèle 371LED-120 est conçu pour être monté en surface horizontale plane ou avec un tube de 2,54 cm (1 po) à filetage conique. Pour le montage en saillie sur substrats solides, le support de montage en saillie de modèle 371BRCKT, acheté séparément, peut être utilisé. Si les entrées latérales du conduit doivent être utilisées, démonter la lumière comme indiqué dans la section « Câblage de la lumière », page 27, puis retirer au moins une alvéole défonçable avec un instrument contondant avant de remonter la lumière. Retirer les éclats autour de l'entrée défonçable à l'aide d'une lime.

**NOTE D'INSTALLATION :** Pour éviter l'accumulation d'humidité lumière Dans l'enceinte dans des zones très humides où la condensation est présente dans le système de conduit, scellant de conduit ou d'autres matériaux appropriés sont recommandés pour sceller les entrées fils / conduit.

### ***Montage sur tube de la lumière***

Fixer la lumière sur le tube de 2,54 cm (1 po) à filetage conique en la faisant tourner dans le sens des aiguilles d'une montre (Illustration 2). Pour obtenir des informations sur les branchements électriques, se reporter à la section « Câblage de la lumière », page 27.

### ***Montage en saillie de la lumière***

Monter la lumière sur une surface à plat :

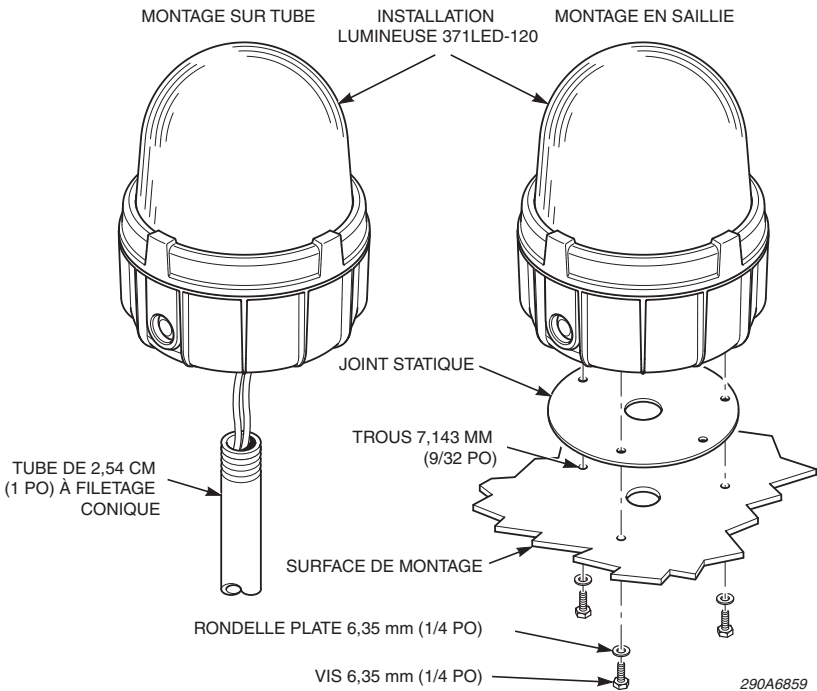
1. À l'aide du joint statique comme gabarit, faire quatre marques de repère sur la surface de montage pour le perçage (Illustration 2, page 27).
2. Percer un trou de 7,1 mm (9/32 po) de diamètre au niveau de chaque repère extérieur pour le montage.
3. Percer ou perforer un trou de 34,9 mm (1-3/8 po) de diamètre au niveau du repère central pour l'entrée destinée au fil.
4. Fixer un concentrateur de 2,54 cm (1 po) à filetage conique ou un connecteur approprié pour guider l'entrée dans la partie inférieure de la lumière. Pour les applications Type 4X/IP66, le concentrateur ou connecteur doit être



correctement sélectionné (les concentrateurs Myers<sup>MD</sup> STTTB-2 ou T&B<sup>MD</sup> H100-TB sont recommandés).

5. Régler la lumière sur le joint statique et la fixer sur la surface de montage à l'aide des vis de 6,4 mm (1/4 po) et des rondelles.
6. Pour obtenir des informations sur les branchements électriques, se reporter à la page 27.

**Illustration 1 Options de montage**



## Câblage de la lumière

**▲AVERTISSEMENT**

**DANGERS LIÉS À UN CHOC**

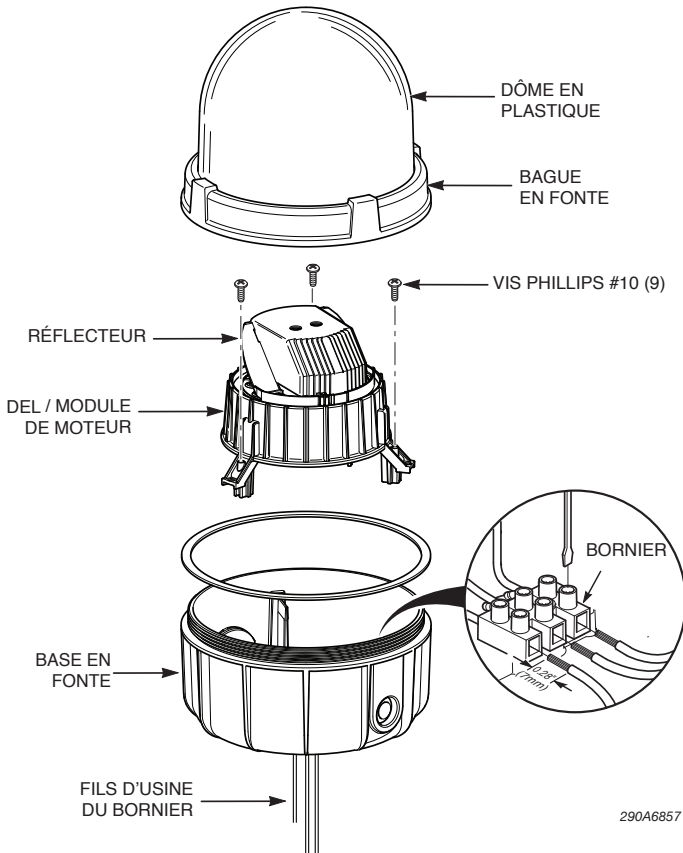
**Afin d'éviter les dangers de chocs électriques, ne pas brancher de fil tant que l'alimentation est activée.**

Le modèle 371LED est fourni déjà assemblé en provenance de l'usine avec deux fils à code de couleur pour le câblage à une boîte de jonction. Au besoin, les fils de l'usine peuvent être retirés et les connexions d'alimentation faites directement au bornier situé dans la partie inférieure de la base de la lumière comme décrit ci-dessous

1. Démonter la lumière (Illustration 2) :
  - a) Retirer le dôme en saisissant la bague en fonte fixée au dôme en la faisant tourner dans le sens inverse des aiguilles d'une montre.
  - b) Retirer les trois vis Phillips #10 qui fixent la DEL / le module de moteur à l'enceinte.
  - c) Retirer la DEL / le module de moteur.
  - d) Au besoin, retirer les fils d'usine du bornier.
2. Si des entrées de conduit latérales sont utilisées, fixer un concentrateur de conduit de 19 mm (3/4 po) à filetage conique de type T&BMD H075TBH ou un concentrateur MyersMD STTTB-2 avec un mamelon simple de 19 mm (3/4 po) à filetage conique (fourni par l'installateur) à l'enceinte et bien serrer le concentrateur. Lorsque les entrées latérales sont utilisées, l'entrée de conduit de 2,54 cm (1 po) à filetage conique de la partie inférieure doit être fermée avec un bouchon fileté (fourni par l'installateur). (Voir Tableau 3 : « Accessoires » en page 30).
3. Acheminer les fils d'alimentation (10 AWG à 16 AWG) dans l'enceinte de la lumière.
4. Retirer un maximum de 7 mm (0,28 po) d'isolant des extrémités des câbles d'alimentation. Brancher les fils sur le bornier en introduisant les extrémités retirées des fils dans les connecteurs aussi loin que possible.

5. Serrer la vis d'arrêt. Le couple de serrage maximum est de 0,8 N • m (7 po-lb).
6. Voir Illustration 2. Relier la prise de terre au bornier.
7. Remonter la lumière et vérifier son bon fonctionnement.

**Illustration 2 Branchement des câbles au bornier**



## **Messages de sécurité destinés au personnel d'entretien**

Les précautions et instructions de sécurité à suivre sont listées ci-dessous :

- Bien lire et comprendre toutes les instructions avant d'utiliser ce système.
- Tout entretien du système lumineux doit être effectué lorsque l'alimentation est désactivée.
- Tout entretien du système lumineux doit être exécuté par un technicien formé conformément aux directives du CNE/CCE, ainsi qu'aux codes locaux.
- Ne jamais modifier cet appareil de quelque façon que ce soit. La sécurité peut être compromise si d'autres ouvertures sont ajoutées ou si d'autres modifications sont apportées à ces dispositifs.
- La plaque signalétique contenant des informations de mise en garde et autres informations importantes pour le personnel d'entretien ne doit pas être obscurcie.
- Si le dôme est endommagé de quelque façon que ce soit, l'intégralité du dôme DOIT être remplacée.
- Après avoir effectué l'entretien, tester le système lumineux pour s'assurer du bon fonctionnement de la lumière.

Le non-respect de toutes les précautions et instructions de sécurité peut provoquer des dommages à la propriété, des blessures graves voire la mort.

### **Entretien du modèle 371LED-120**

L'établissement d'une procédure de vérification régulière du modèle 371LED-120 prolonge la durée de vie de la lumière et assure la sécurité. Vérifier périodiquement le bon fonctionnement de la lumière. Rechercher d'éventuels fentes, fissures (lézardements), décoloration et autres défauts.

Le joint de bague de dôme fileté doit être enduit de pétrole ou d'une huile minérale couverte de savon. Si des produits corrosifs se sont accumulés sur les joints et ne peuvent pas en être extraits facilement avec des dissolvants, ces pièces doivent être jetées et

remplacées.

## **Nettoyage du dôme**

**REMARQUE :** Les procédures d'entretien nécessitent parfois le lavage au jet d'eau des installations pour bien effectuer les tâches ménagères. Le circuit électrique doit être éteint avant le lavage au jet de la lumière.

Nettoyer le dôme périodiquement pour conserver une production optimale de la lumière. Utiliser uniquement des agents nettoyants non-abrasifs et doux.

## **Entretien, assistance et pièces**

Federal Signal effectuera l'entretien du produit et fournira une assistance technique ainsi qu'un soutien. Appeler aux numéros listés ci-dessous. Pour les manuels d'instructions et d'informations relatifs aux produits, aller sur <http://www.federal-signal-indust.com>.

### ***Service de réparation***

Les produits renvoyés pour réparation doivent être accompagnés d'un formulaire d'autorisation de renvoi. Pour l'entretien du produit, communiquer avec le Service entretien de Federal Signal au 708-534-4858.

### ***Assistance technique***

Pour une assistance technique, appeler le Service technique au 708-534-3424, extension 5823.

### ***Accessoires et pièces de rechange***

Pour commander des accessoires et pièces de rechange, communiquer avec le Service à la clientèle de Federal Signal au 708-534-4756.

**Tableau 3 Accessoires**

| <b>Description</b>   | <b>Numéro de pièce</b> |
|--|------------------------|
| Support de montage mural   | LWMB2                  |
| Support de montage en coin   | LCMB2                  |
| Support de montage, surface  | 371BRCKT               |
| Kit de concentrateur de conduit, 19 mm (3/4 po) à filetage conique | K8459138               |
| Bouchon de fermeture, 2,54 cm (1 po) à filetage conique            | K8459130               |

La DEL / les modules de moteur du Tableau 3 comprennent les pièces suivantes : support de moteur, DEL PCBA, alimentation PCBA, pâte thermique, réflecteur standard et joint statique de dôme.

**Tableau 4 Pièces de rechange**

| <b>Description</b>                 | <b>Numéro de pièce</b> |
|------------------------------------|------------------------|
| Dôme en plastique, ambre           | K8459125               |
| Dôme en plastique, bleu            | K8459125-01            |
| Dôme en plastique, incolore        | K8459125-02            |
| Dôme en plastique, vert            | K8459125-03            |
| Dôme en plastique, rouge           | K8459125-04            |
| Joint statique, montage en saillie | K8459127               |
| DEL / module de moteur, ambre      | K8459159-A             |
| DEL / module de moteur, bleu       | K8459159-B             |
| DEL / module de moteur, blanc      | K8459159-W             |
| DEL / module de moteur, vert       | K8459159-G             |
| DEL / module de moteur, rouge      | K8459159-R             |

## **Renvoi du matériel avec obtention d'un crédit**

Les renvois de produits doivent être accompagnés d'une autorisation de renvoi émanant du distributeur local avant le renvoi du produit à Federal Signal. Communiquer avec le distributeur pour obtenir de l'aide.

Un produit peut être renvoyé avec obtention d'un crédit si les conditions suivantes sont remplies :

- Le produit est revendable puis est renvoyé dans son emballage d'origine
- Le produit n'a pas encore été installé
- Le produit est le modèle le plus récent
- Le produit n'a jamais été réparé
- Le produit est un produit standard
- Le produit n'est pas une pièce détachée

Tous les renvois de produits font l'objet de frais de restockage.

Les produits défectueux renvoyés au cours de la période de garantie seront réparés ou remplacés à la seule discrétion de Federal Signal. Les produits dont la lampe est défectueuse ne sont pas considérés comme des produits défectueux.

Toute demande autre que celles citées ci-dessus sera examinée au cas par cas.



**FEDERAL SIGNAL**

Safety and Security Systems

2645 Federal Signal Drive • University Park, IL 60484-3167

Tél. : 708-534-4756 • Télécopie : 708-534-4852

Courriel : [customersupport@fedsig.com](mailto:customersupport@fedsig.com)

[www.fedsig.com](http://www.fedsig.com)

© 2014 Federal Signal Corporation. Tous droits réservés.





**FEDERAL SIGNAL**  
Safety and Security Systems

## **Luz giratoria Commander® Modelo 371LED-120**

**LED**



---

***Manual de instalación  
y mantenimiento***



**Garantía** – El vendedor garantiza todas las mercaderías, durante cinco años sobre las piezas y 2 1/2 años sobre la mano de obra, bajo las siguientes condiciones y excepciones: El Vendedor garantiza que todas las mercaderías fabricadas por el Vendedor se ajustan a las descripciones de las mismas para las especificaciones que se consideran expresamente parte integrante de este contrato de venta y en el momento de la venta por el vendedor dichas mercaderías se encontrarán comercialmente libres de defectos en materiales o mano de obra. El Vendedor se reserva el derecho de criterio del Vendedor de "Reparar y devolver" o "Reemplazar" cualquier elemento considerado defectuoso durante el período de garantía. Esta garantía no cubre los gastos de viaje, el costo de equipos especializados para acceder al producto o los cargos de mano de obra para el desmontaje y la reinstalación del producto. Esta garantía quedará sin efecto y no se aplicará a las mercaderías que han sido sometidas a maltrato, negligencia, accidente, daño, mantenimiento inadecuado, o para las mercaderías alteradas o reparadas por alguien que no sea el Vendedor o su representante autorizado, o si han transcurrido cinco años desde la fecha de envío de las mercaderías por el Vendedor con las siguientes excepciones: No están cubiertos por esta garantía las lámparas y los tubos de luz estroboscópica. Las sirenas de alerta de exteriores y los controladores fabricados por Federal Warning Systems están garantizados por dos años sobre las piezas y un año sobre la mano de obra. Ningún agente, empleado, representante o distribuidor del Vendedor tiene autoridad alguna para obligar al Vendedor a cualquier representación, afirmación o garantía alguna respecto de las mercaderías y ninguna representación, afirmación o garantía de ese tenor será considerada parte de los fundamentos del contrato de venta y no será ejecutable. LAS GARANTÍAS ANTERIORES SON EXCLUSIVAS Y EN LUGAR DE TODAS LAS OTRAS GARANTÍAS DE COMERCIALIZACIÓN, APTITUD PARA UN FIN Y DE CUALQUIER OTRO TIPO, YA SEAN EXPRESAS O IMPLÍCITAS. Estas garantías no se aplicarán menos que el Vendedor tenga la oportunidad razonable para investigar todas las reclamaciones de las mercaderías supuestamente defectuosas. Siguiendo instrucciones del Vendedor sólo una muestra de las mercaderías supuestamente defectuosas será devuelta al Vendedor para su inspección y aprobación. El fundamento de todas las reclamaciones por presuntos defectos en las mercaderías que no puedan descubrirse tras una inspección razonable de la misma de conformidad con el párrafo 8 de la presente garantía debe ser explicado completamente por escrito y recibido por el Vendedor dentro de los treinta días después de que el Comprador se entera de que el defecto o la reclamación serán considerados nulos.



2645 Federal Signal Drive • University Park, IL 60484-3167  
Tel.: 708-534-4756 • Fax: 708-534-4852  
Correo electrónico: [customersupport@fedsig.com](mailto:customersupport@fedsig.com)  
[www.fedsig.com](http://www.fedsig.com)

---

## Contenidos

|   |           |
|---|-----------|
| <b>Mensajes de seguridad para los instaladores</b> .....                      | <b>37</b> |
| <b>Una vista general del Modelo 371LED-120</b> .....                          | <b>38</b> |
| <b>Desembalaje de la luz</b> .....  | <b>38</b> |
| <b>Montaje de la luz</b> .....  | <b>39</b> |
| Montaje de la luz en tuberías.....  | 39        |
| Montaje de la luz en superficies .....  | 39        |
| <b>Cableado de la luz</b> .....   | <b>41</b> |
| <b>Mensajes de seguridad para el personal de mantenimiento</b> .....          | <b>43</b> |
| <b>Mantenimiento del Modelo 371LED-120</b> .....                              | <b>44</b> |
| <b>Cómo obtener servicio de reparación, asistencia técnica y piezas</b> ..... | <b>45</b> |
| Servicio de reparación .....  | 45        |
| Asistencia técnica .....  | 45        |
| Accesorios y repuestos .....  | 45        |
| <b>Cómo devolver el producto para obtener un crédito</b> .....                | <b>47</b> |

## Figuras

|  |           |
|--|-----------|
| <b>Figura 1</b> Opciones de montaje.....                             | <b>41</b> |
| <b>Figura 2</b> Conexión de los cables al bloque de terminales ..... | <b>43</b> |

**Tablas**

**Tabla 1** Clasificación eléctrica y medioambiental ..... 39

**Tabla 2** Dimensiones..... 39

**Tabla 3** Repuestos ..... 46

**Tabla 4** Accesorios..... 46

## **Mensajes de seguridad para los instaladores**

### **▲ ADVERTENCIA**

Es importante que siga todas las instrucciones enviadas con este producto. Este dispositivo debe ser instalado por un electricista calificado que esté familiarizado con el Código Eléctrico Nacional (NEC) y/o el Código Eléctrico Canadiense (CEC) y siga sus normas, así como todos los códigos locales. Esta luz debe ser considerada como parte del sistema de alerta y no el sistema de alerta completo.

La selección del lugar de montaje de la luz, sus controles y la ruta del cableado se debe realizar bajo la dirección del ingeniero de las instalaciones y del ingeniero de seguridad. Además, a continuación se enumeran algunas otras instrucciones y precauciones de seguridad que debe seguir:

- Lea y comprenda todas las instrucciones antes de instalar u operar esta luz.
- No conecte esta luz al sistema cuando está encendido.
- Después de la instalación, asegúrese de que todos los tornillos y las juntas roscadas están bien ajustados.
- Para ser un dispositivo de alerta eficaz, este producto produce una luz brillante que puede ser peligrosa para la vista cuando se ve a una distancia corta. No mire directamente a este producto de iluminación a una distancia corta o su vista puede sufrir daños permanentes.
- Después de la instalación, pruebe la luz para asegurarse de que funciona correctamente.
- Después de que haya finalizado la prueba, proporcione una copia de este folleto de instrucciones al personal.
- Establezca un procedimiento para verificar periódicamente la luz para una activación y un funcionamiento adecuados.

Si no se siguen todas las precauciones e instrucciones de seguridad se pueden ocasionar daños a la propiedad, lesiones graves o la muerte.

## **Una vista general del Modelo 371LED-120**

La luz de advertencia Modelo 371LED-120 de Federal Signal incorpora una serie de LED de alta potencia, una fibra óptica personalizada y un reflector giratorio para enfocar un haz de luz que gira 360 grados dentro de un domo de plástico.

El Modelo 371LED-120 dispone de un domo de plástico resistente a los impactos. El Modelo 371LED está disponible en cinco colores: ámbar, azul, transparente, verde y rojo. El conjunto del domo y el anillo se atornilla, proporcionando acceso al interior de la luz. La base cuenta con pintura texturizada en polvo negro para una mayor resistencia a la corrosión. El cableado puede pasarse a través de la abertura de la tubería de montaje en la parte inferior de la luz o los dos agujeros ciegos laterales pueden utilizarse para el cableado de entrada lateral. La instalación puede ser superficial o con montaje en tubería de 1 pulgada NPT.

También están disponibles los soportes opcionales para montaje en pared y montaje en esquina. El soporte de pared LWMB2 y el soporte de montaje en esquina LCMB2 se pueden utilizar para montar el modelo 371LED. Para el montaje sobre bases sólidas, está disponible el soporte de montaje en superficies de tres puntos Modelo 371BRCKT que se compra por separado.

## **Desembalaje de la luz**

Después de desembalar la luz, examínela para verificar daños que puedan haber ocurrido durante el transporte. Si la luz se ha dañado, no intente instalarla o hacerla funcionar. Presente una reclamación inmediatamente con el transportista e indique la magnitud de los daños. Revise cuidadosamente todos los sobres, etiquetas de envío y otro tipo de etiquetas antes de quitar o deshacerse de estas. La eliminación de todos los materiales de envío debe llevarse a cabo de acuerdo con los códigos y las normas nacionales y locales. Si falta alguna pieza, llame al Servicio al cliente de Federal Signal al 708-534-4756.

**Tabla 1 Clasificación eléctrica y medioambiental**

|                                 |                                     |
|---------------------------------|-------------------------------------|
| Voltaje operativo:              | 120 V CA 50 Hz/60 Hz                |
| Índice de intermitencia:        | 60 IPM                              |
| Corriente operativa máxima, mA: | 320 mA                              |
| Corriente de sobretensión:      | 25,1 A para 0,63 ms                 |
| Temperatura operativa:          | -31 °F a 150 °F<br>(-35 °C a 66 °C) |
| Clasificación ambiental:        | Tipo 4X, IP66                       |

**Tabla 2 Dimensiones**

|                |                           |
|----------------|---------------------------|
| Altura:        | 11,38 pulgadas (288,9 mm) |
| Diámetro:      | 9,12 pulgadas (231,6 mm)  |
| Peso neto:     | 7,1 libras (3,2 kg)       |
| Peso de envío: | 8,1 libras (3,7 kg)       |

## **Montaje de la luz**

La luz Modelo 371LED-120 está diseñada para su montaje en una superficie plana horizontal o en una tubería de 1 pulgada NPT. Para el montaje sobre bases sólidas, se puede usar el soporte de montaje en superficies 371BRCKT que se compra por separado. Si se usan las entradas laterales para conductos, desmonte la luz como se describe en "Cableado de la luz" en la página 43 y elimine uno o varios de los orificios ciegos con una herramienta sin filo antes de montar la luz. Use una lima para eliminar el exceso de rebordes alrededor de los orificios.

**NOTAS SOBRE LA INSTALACIÓN:** Para evitar la acumulación de humedad dentro del recinto de luz en áreas muy húmedas donde la condensación está presente en el sistema de conducto, sellador del conducto u otro material adecuado se recomienda para sellar las entradas de cables/conducto.

### ***Montaje de la luz en tuberías***

Coloque la luz en la tubería de 1 pulgada NPT enroscando la luz en sentido de las agujas del reloj en la tubería (Figura 2). Para obtener información sobre cómo realizar las conexiones eléctricas, consulte "Cableado de la luz" en la página 41.

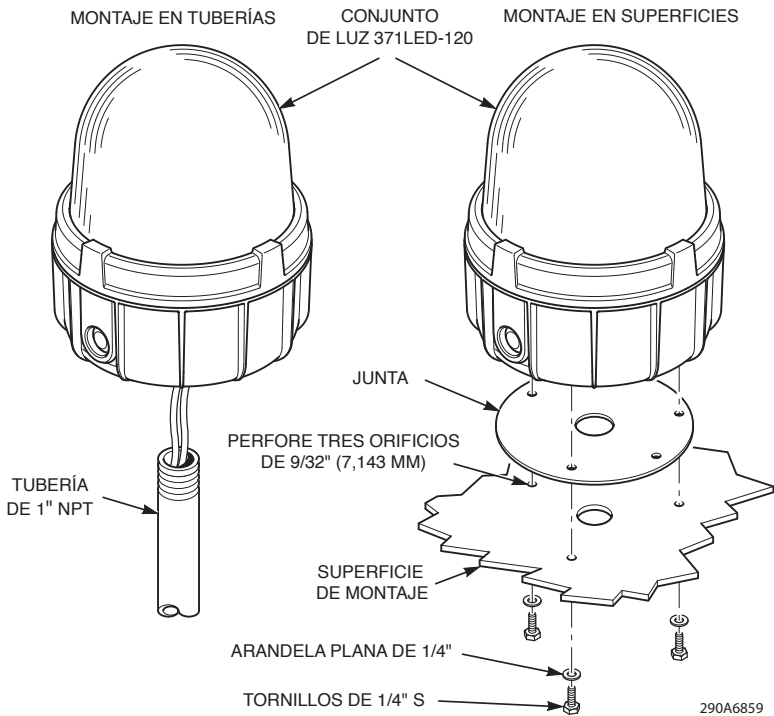
### ***Montaje de la luz en superficies***

El montaje de la luz sobre una superficie plana:

1. Usando la junta como una plantilla, marque la posición de los cuatro puntos de perforación en la superficie de montaje (Figura 2 en la página 41).
2. Haga un agujero de 9/32 de pulgada (7,1 mm) de diámetro en cada uno de los puntos de posición de perforación exteriores para el montaje.
3. Perfore o haga un agujero de 1 3/8 pulgadas (34,9 mm) de diámetro en el centro del punto de posición de perforación para la entrada de cable.
4. Coloque un conector o hub de 1 pulgada NPT a la entrada del conducto en la parte inferior de la luz. Para las aplicaciones Tipo 4X/IP66, el conector o hub debe estar debidamente clasificado (se recomiendan los conectores Myers® STTTB-2 o T&B® H100-TB).
5. Ajuste la luz en la junta y colóquela en la superficie de montaje con los tornillos y las arandela de 1/4 de pulgada provistos.
6. Para obtener información sobre las conexiones eléctricas, consulte la página 43.



**Figura 2 Opciones de montaje**



## Cableado de la luz

### **⚠ ADVERTENCIA**

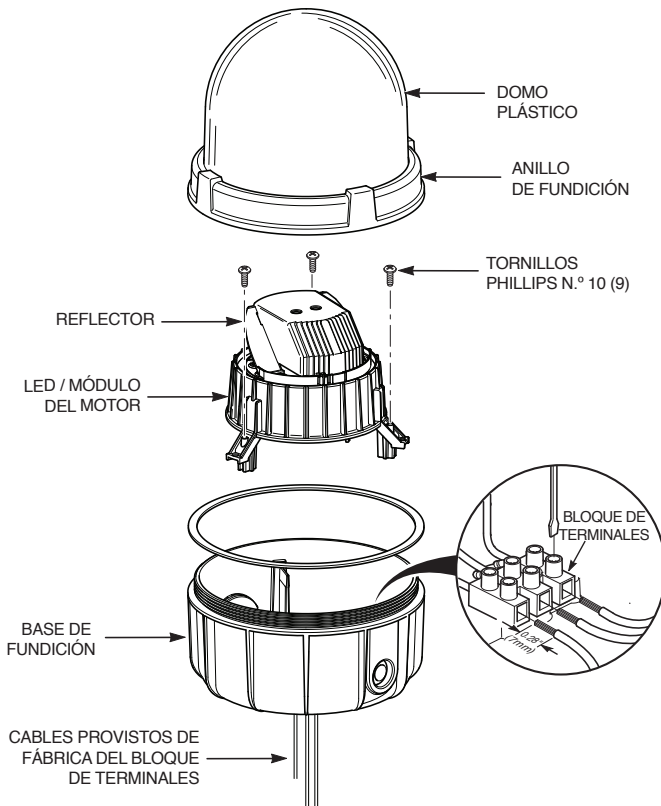
#### **PELIGRO DE ELECTROCUCIÓN**

**Para evitar riesgos de descargas eléctricas, no conecte los cables cuando se aplica energía.**

El Modelo 371LED viene montado de fábrica con dos cables con código de color para el cableado a una caja de conexiones. Si se desea, los cables de fábrica pueden retirarse y se pueden realizar las conexiones de suministro directamente al bloque de terminales situado en la parte inferior de la base de la luz como se describe a continuación

- 1.** Desmonte la luz (Figura 2 en la página 41):
  - a)** Retire el conjunto del domo sujetando el anillo fundido unido al domo y girando en sentido contrario a las agujas del reloj.
  - b)** Quite los tres tornillos Phillips N.º 10 que fijan el LED / módulo del motor a la carcasa.
  - c)** Quite el LED / módulo del motor.
  - d)** Si se prefiere, retire los cables suministrados de fábrica del bloque de terminales.
- 2.** Si utiliza conductos de entrada lateral, coloque un conector para conductos Myers® STTTB-2 o un T&B® H075TBH de 3/4 de pulgada NPT con un racor de 3/4 de pulgada NPT (ambos provistos por el instalador) a la carcasa y ajuste bien el conector. Cuando se utilizan las entradas laterales, la entrada inferior del conducto de 1 pulgada NPT se debe cerrar con un tapón roscado (provisto por el instalador). (Consulte la Tabla 4: "Accesorios" en la página 46).
- 3.** Pase los cables de suministro (10 AWG a 16 AWG) dentro de la carcasa de la luz.
- 4.** Pele un máximo de 0,28 pulgadas (7 mm) del aislamiento de los extremos de los cables de alimentación. Conecte los cables al bloque de terminales mediante la inserción de los extremos pelados de los cables en los conectores hasta donde puedan ingresar.
- 5.** Ajuste bien el tornillo de sujeción. El torque de ajuste máximo es de 7,0 pulgadas/libras (0,8 N • m).
- 6.** Consulte la Figura 2. Conecte la descarga a tierra al bloque de terminales.
- 7.** Vuelva a montar la luz y pruébela para un correcto funcionamiento.

**Figura 4 Conexión de los cables al bloque de terminales**



## **Mensajes de seguridad para el personal de mantenimiento**

A continuación se enumeran algunas instrucciones y precauciones de seguridad importantes que debe seguir:

- Lea y comprenda todas las instrucciones antes de operar este sistema.
- Cualquier mantenimiento del sistema de luz debe hacerse con la alimentación desconectada.
- Cualquier mantenimiento del sistema de luz debe ser realizado por un electricista calificado de acuerdo a las normas NEC/CEC y los códigos locales.

## ***Instrucciones de instalación y mantenimiento***

---

- Nunca modifique la unidad de ninguna manera. La seguridad puede verse amenazada si se realizan aberturas adicionales u otras modificaciones a las unidades.
- La placa, que contiene información de advertencia u otra información de importancia para el personal de mantenimiento, no debe ocultarse.
- Si el domo está dañado de alguna manera, el conjunto del domo se DEBE reemplazar.
- Después de realizar cualquier tipo de mantenimiento, pruebe el sistema de luz para asegurarse de que funciona correctamente.

Si no se siguen todas las precauciones e instrucciones de seguridad se pueden ocasionar daños a la propiedad, lesiones graves o la muerte.

### **Mantenimiento del Modelo 371LED-120**

Establecer un programa de mantenimiento regular para el Modelo 371LED-120 extiende la vida de la luz y garantiza la seguridad. En forma periódica, controle que la luz funciona adecuadamente. Además, inspeccione el domo en busca de grietas, cuarteaduras (grietas muy finas), decoloración y otros defectos.

La junta del anillo roscado del domo debe estar bien lubricada con un aceite mineral de petróleo o espesado con detergente. Si se han acumulado productos corrosivos en las juntas y no se pueden quitar fácilmente con solventes, las piezas se deben desechar y reemplazar.

### **Limpieza del domo**

**NOTA:** Los procedimientos de mantenimiento a veces requieren que las piezas reciban una limpieza con manguera para un buen saneamiento. El circuito eléctrico se debe apagar antes de limpiar la luz con manguera.

Limpie el domo periódicamente para mantener la máxima salida de luz. Use sólo agentes de limpieza suaves, no abrasivos.

### **Cómo obtener servicio de reparación, asistencia técnica y piezas**

Federal Signal brindará servicio de reparación a su producto y proporcionará asistencia y atención técnicas. Llame a los números telefónicos que se enumeran a continuación. Para obtener manuales de instrucciones e información sobre los productos relacionados, visite <http://www.federal-signal-indust.com>.

### ***Servicio de reparación***

Los productos devueltos para su reparación requieren un Formulario de autorización de devolución. Para obtener el servicio de reparación para el producto, póngase en contacto con el Departamento de Servicio de reparación de Federal Signal al 708-534-4858.

### ***Asistencia técnica***

Para obtener asistencia técnica, llame a atención técnica al 708-534-3424, extensión 5823.

### ***Accesorios y repuestos***

Para pedir accesorios y repuestos, llame a Atención al cliente de Federal Signal al 708-534-4756.

Los LED / Módulos del motor en la Tabla 4 incluyen las siguientes piezas: el soporte del motor, LED PCBA (Conjunto de la placa del circuito impreso), la fuente de alimentación del PCBA, almohadillas térmicas, reflector estándar y la junta del domo.

**Tabla 3 Repuestos**

| <b>Descripción</b>                       | <b>Número de pieza</b> |
|--|------------------------|
| Conjunto del domo plástico, ámbar        | K8459125               |
| Conjunto del domo plástico, azul         | K8459125-01            |
| Conjunto del domo plástico, transparente | K8459125-02            |
| Conjunto del domo plástico, verde        | K8459125-03            |
| Conjunto del domo plástico, rojo         | K8459125-04            |
| Junta, montaje en superficies            | K8459127               |
| LED / Módulo del motor, ámbar            | K8459159-A             |
| LED / Módulo del motor, azul             | K8459159-B             |
| LED / Módulo del motor, blanco           | K8459159-W             |
| LED / Módulo del motor, verde            | K8459159-G             |
| LED / Módulo del motor, rojo             | K8459159-R             |

**Tabla 4 Accesorios**

| <b>Descripción</b>                       | <b>Número de pieza</b> |
|--|------------------------|
| Soporte de montaje en pared              | LWMB2                  |
| Soporte de montaje en esquina            | LCMB2                  |
| Soporte de montaje, para superficies     | 371BRCKT               |
| Kit de conector para conductos, 3/4" NPT | K8459138               |
| Tapón para cerrar, 1" NPT                | K8459130               |

## **Cómo devolver el producto para obtener un crédito**

Las devoluciones de productos para obtener un crédito requieren una autorización de devolución de su distribuidor local antes de devolver el producto a Federal Signal. Póngase en contacto con su distribuidor para obtener ayuda.

Un producto está calificado para ser devuelto para obtener un crédito cuando se cumplen los siguientes requisitos:

- El producto está en su empaque original y se puede revender
- El producto no se ha instalado anteriormente
- El producto es la versión actual
- El producto no se ha reparado anteriormente
- El producto es un producto estándar
- El producto no es una pieza de reparación

Todas las devoluciones están sujetas a una tasa de manejo de existencias.

Los productos defectuosos que son devueltos en el plazo de garantía serán reparados o reemplazados a criterio de Federal Signal. Los productos defectuosos no incluyen aquellos productos con fallas en la lámpara.

Otras circunstancias que no hayan sido enumeradas anteriormente se tratarán de acuerdo a cada caso.



**FEDERAL SIGNAL**

Safety and Security Systems

2645 Federal Signal Drive • University Park, IL 60484-3167

Tel.: 708-534-4756 • Fax: 708-534-4852

Correo electrónico: [customersupport@fedsig.com](mailto:customersupport@fedsig.com)

[www.fedsig.com](http://www.fedsig.com)

© 2014 Federal Signal Corporation. Todos los derechos reservados.

---

*Luz giratoria Modelo 371LED-120*