



Explosion-Proof LED Warning Light with XLT™

Model 27XL

DESIGNED FOR USE IN EXPLOSION-PROOF ATMOSPHERES

- Approved for mounting in any manner-including dome up
- XLT™ Technology
- Available in 24VAC/DC and 120-240VAC
- Available in flashing or steady-burn mode
- Six lens colors
- 60,000 hour LED
- 3/4-inch NPT pendant mount standard; other options available
- PLC Compatible
- Dome guard optional
- UL and cUL Listed
- Type 4X, IP66 enclosure
- Marine Rated

Federal Signal's Model 27XL explosion-proof LED light with XLT™ produces 60 high-intensity flashes per minute and is unique to the market because it covers an entire range of possible mounting configurations – including dome up. This warning light operates on 24VAC/DC, 120VAC, and 240VAC 50/60Hz and is UL Listed for Class I, Division 1, Groups C and D; Class II, Division 1, Groups E, F and G; Class I, Division 2, Groups A, B; and Class III. The 27XL is UL and cUL listed, and Marine Rated.

eXtreme Light Technology (XLT) is a break through high-intensity LED array designed to meet the demands of industrial customers, producing maximum light output and superior lens fill. Configurable to either steady burning state or flashing mode, XLT provides improved performance over standard LEDs and increased versatility while maintaining low power consumption and vibration resistance expected from LED devices.

The 27XL features a standard low in-rush circuitry design that provides greater compatibility with factory automation control systems and less electrical interference with in-rush sensitive devices.

The 27XL is Type 4X rated and constructed to IP66. Corrosion resistance is achieved with a powder coat finish applied over the copper-free aluminum housing.

Federal Signal's Model 27XL is specifically designed for explosion-proof atmospheres and/or corrosive environments. Because it is easy to install and requires very low maintenance, it is ideal for use in areas such as oil rigs, mines, refineries, and chemical plants.



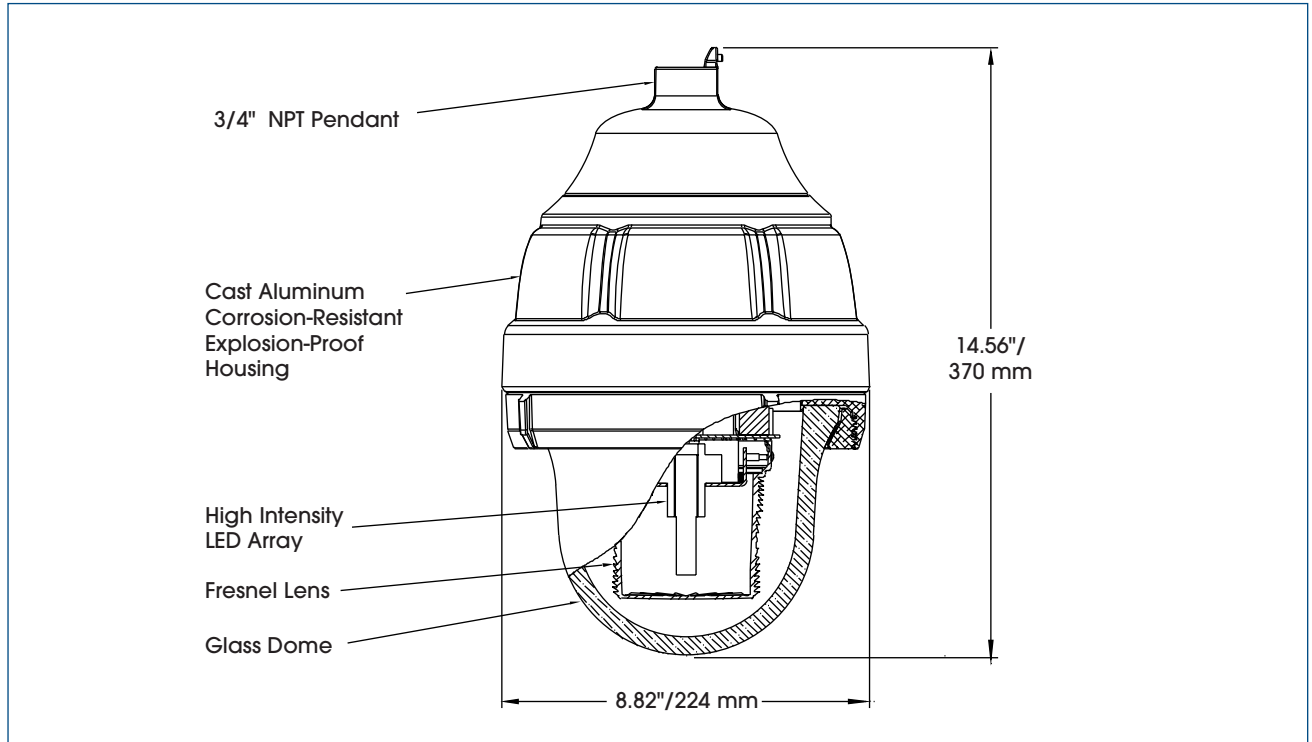
| Model | Voltage | Operating Current | In-rush Current | Flash Rate/Minute | Mount |
|----------------|------------|-------------------|--------------------|-------------------|------------------|
| 27XL-024 * | 24VAC/DC | 400 mA | 1.75 amps, 5.0 mS | 60 | 3/4" NPT Pendant |
| 27XL-120-240 * | 120/240VAC | 210/130 mA | 2.00 amps, 0.25 mS | 60 | 3/4" NPT Pendant |

* Indicates color: (A) Amber, (B) Blue, (C) Clear, (G) Green, (M) Magenta or (R) Red

Hazardous Location Rating:

| Hazardous Location | T-Code at Maximum Ambient Temperature, °C | | | | | |
|---------------------------------|---|------------|------|------------|------|------------|
| | 40°C | | 55°C | | 66°C | |
| | 24V | 100-265VAC | 24V | 100-265VAC | 24V | 100-265VAC |
| Class I, Div 1, Groups C, D | T6 | T6 | T6 | T6 | T6 | T6 |
| Class II, Div 2, Groups E, F, G | T6 | T6 | T6 | T6 | T6 | T6 |
| Class III | T6 | T6 | T6 | T6 | T6 | T6 |

EXPLOSION-PROOF LED LIGHT (27XL)



SPECIFICATIONS

| | | |
|------------------------------|----------------|---------------|
| Lamp Life: | 60,000 Hours | 60,000 Hours |
| Light Source: | LED Array | LED Array |
| Operating Temperature Range: | -67°F to 150°F | -55°C to 65°C |
| Net Product Weight | | |
| Signal without Mounting*: | 13.9 lbs. | 6.3 kg |
| Ceiling Mount: | 4.5 lbs. | 2.0 kg |
| Pendant Mount: | 2.0 lbs. | 0.9 kg |
| Wall Mount: | 5.9 lbs. | 2.7 kg |
| Shipping Weight: | 19.4 lbs. | 8.8 kg |
| Height: | 14.56" | 370.0 mm |
| Diameter: | 8.82" | 224.0 mm |

*Pendant mount included with signal. Ceiling and wall mounts are optional.

HOW TO ORDER

- Specify model, voltage and color
- Optional Accessories:
Dome Guard (DGXC-SB)
Ceiling Mount (CMXC-SB)
Wall Mount (WMXC-SB)

REPLACEMENT PARTS

| <u>Description</u> | <u>Part Number</u> | <u>Description</u> | <u>Part Number</u> |
|----------------------------------|--------------------|--|--------------------|
| Exterior Dome Assembly, Clear | K8436147A | PC board assembly, 24VDC | K2005455A |
| Interior Lens Assembly, Amber | K8550292A-02 | PC board assembly, 120/240VAC | K2005416A |
| Interior Lens Assembly, Blue | K8550292A-01 | LED array, Amber | K14700030A-A |
| Interior Lens Assembly, Clear | K8550292A | LED array, Blue | K14700030A-B |
| Interior Lens Assembly, Green | K8550292A-04 | LED array, Clear | K14700030A-W |
| Interior Lens Assembly, Magenta* | K8550292A-05 | LED array, Green | K14700030A-G |
| Interior Lens Assembly, Red | K8550292A-03 | LED array, Red | K14700030A-R |
| Pendant Mount | PMXC-SB | *Order LED array, Clear with the Magenta Interior Lens Assembly. | |