

▼ Shown from left to right: CLL-1006, CLL-2506, CLL-1506, CLL-506



- Safety Lock Nut for mechanical load holding
- Baked enamel outside finish and plated pistons provide superior corrosion resistance
- Overflow port functions as a stroke limiter
- Interchangeable, hardened grooved saddles are standard
- CR-400 coupler and dust cap included on all models
- Single-acting load return

▼ For this curved bridge, CLL-Series cylinders were used to support the concrete beams to level the pierhead and to place 4000 ton slide bearings between pier and pierhead.



To Secure Loads Mechanically



Saddles

All CLL cylinders are equipped with bolt-on removable grooved saddles. For information on optional tilt saddles, see the selection chart.

Page: 47



Gauges

Minimize the risk of overloading and ensure long, dependable service from your equipment. Refer to the System Components section for a full range of gauges.

Page: 113



Low Height - High Tonnage

When low height with high force is required, pancake cylinders with lock nut offer the solution to lift the first few inches.

Page: 20

▼ CLL cylinder, mechanically locked, after positioning the curved bridge.



Single-Acting, Lock Nut Cylinders

▼ QUICK SELECTION CHART

For complete technical information see next page.

Cylinder Capacity	Stroke	Model Number	Cylinder Effective Area	Oil Capacity	Collapsed Height	Weight
(ton) [maximum]	(in)		(in ²)	(in ³)	(in)	(lbs)
50 [59.1]	1.97	CLL-502	10.99	21.63	6.46	35
	3.94	CLL-504	10.99	43.25	8.43	46
	5.91	CLL-506	10.99	64.88	10.39	57
	7.87	CLL-508	10.99	86.51	12.36	68
	9.84	CLL-5010	10.99	108.14	14.33	79
	11.81	CLL-5012	10.99	129.76	16.30	90
100 [102.9]	1.97	CLL-1002	20.57	40.50	7.36	68
	3.94	CLL-1004	20.57	81.00	9.33	87
	5.91	CLL-1006	20.57	121.50	11.30	106
	7.87	CLL-1008	20.57	162.00	13.27	125
	9.84	CLL-10010	20.57	202.50	15.24	143
	11.81	CLL-10012	20.57	242.99	17.20	162
150 [153.9]	1.97	CLL-1502	30.78	60.58	8.23	117
	3.94	CLL-1504	30.78	121.17	10.20	146
	5.91	CLL-1506	30.78	181.75	12.17	174
	7.87	CLL-1508	30.78	242.33	14.13	203
	9.84	CLL-15010	30.78	302.92	16.10	231
	11.81	CLL-15012	30.78	363.50	18.07	260
200 [206.1]	1.97	CLL-2002	41.17	81.04	9.57	183
	5.91	CLL-2006	41.17	243.13	13.50	260
	11.81	CLL-20012	41.17	486.27	19.41	376
250 [284.0]	1.97	CLL-2502	56.75	111.70	9.80	256
	5.91	CLL-2506	56.75	335.11	13.74	359
	11.81	CLL-25012	56.75	670.22	19.65	515
300 [353.6]	1.97	CLL-3002	70.71	139.19	11.61	382
	5.91	CLL-3006	70.71	417.56	15.55	514
	11.81	CLL-30012	70.71	835.11	21.46	712
400 [433.9]	1.97	CLL-4002	86.79	170.84	13.19	553
	5.91	CLL-4006	86.79	512.51	17.13	721
	11.81	CLL-40012	86.79	1025.02	23.03	972
500 [566.3]	1.97	CLL-5002	113.25	222.99	14.76	809
	5.91	CLL-5006	113.25	668.77	18.70	1029
	11.81	CLL-50012	113.25	1337.55	24.61	1360
600 [662.9]	1.97	CLL-6002	132.57	260.97	15.55	985
	5.91	CLL-6006	132.57	782.90	19.49	1241
	11.81	CLL-60012	132.57	1565.81	25.39	1625
800 [911.6]	1.97	CLL-8002	182.42	359.09	17.91	1565
	5.91	CLL-8006	182.42	1077.27	21.85	1918
	11.81	CLL-80012	182.42	2154.55	27.76	2446
1000 [1136]	1.97	CLL-10002	227.30	447.43	19.49	2094
	5.91	CLL-10006	227.30	1342.30	23.43	2517
	11.81	CLL-100012	227.30	2684.59	29.33	3151

CLL Series



Capacity:

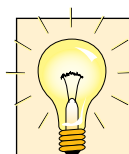
50-1,000 tons

Stroke:

1.97-11.81 inches

Maximum Operating Pressure:

10,000 psi



Additional Stroke Lengths

Models above 150 tons are also available with standard stroke lengths of 4, 8 and 10 inches. Please contact

Enerpac for ordering information and dimensional details.



Lifting an Unbalanced Load?

See our "Yellow Pages" for multi-cylinder set ups.

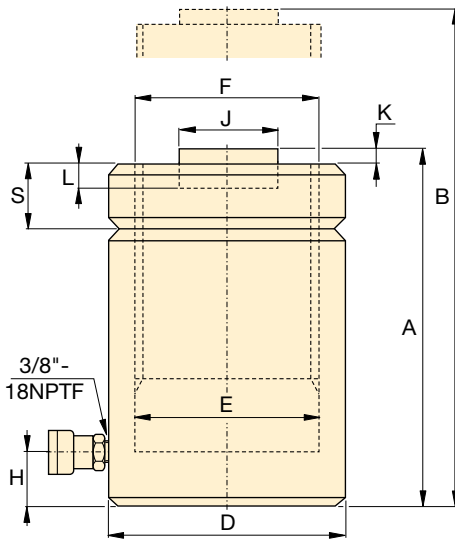
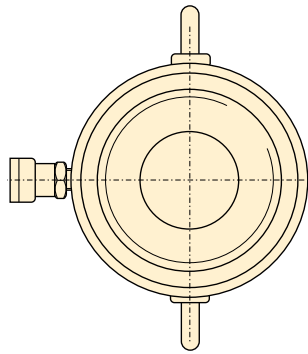
Page: **242**



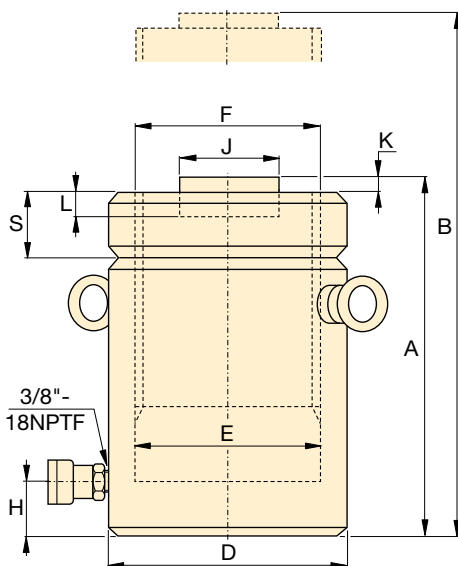
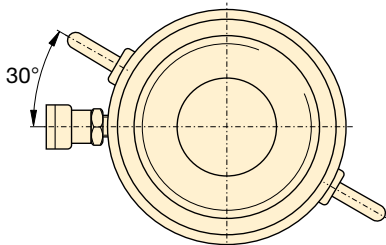
Speed Chart

See the Enerpac Cylinder Speed Chart in our "Yellow Pages" section.

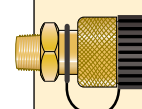
Page: **251**



CLL-50 to CLL-250 models



CLL-300 to CLL-1000 models



Coupler Included!

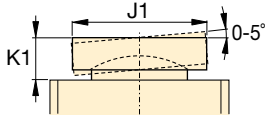
CR-400 coupler included on all models.
Fits all HC-Series hoses.

◀ For full features see page 44.

Cylinder Capacity (ton) [maximum]	Stroke (in)	Model Number	Cylinder Effective Area (in ²)	Oil Capacity (in ³)
50 [59.1]	1.97	CLL-502	10.99	21.63
	3.94	CLL-504	10.99	43.25
	5.91	CLL-506	10.99	64.88
	7.87	CLL-508	10.99	86.51
	9.84	CLL-5010	10.99	108.14
	11.81	CLL-5012	10.99	129.76
100 [102.9]	1.97	CLL-1002	20.57	40.50
	3.94	CLL-1004	20.57	81.00
	5.91	CLL-1006	20.57	121.50
	7.87	CLL-1008	20.57	162.00
	9.84	CLL-10010	20.57	202.50
	11.81	CLL-10012	20.57	242.99
150 [153.9]	1.97	CLL-1502	30.78	60.58
	3.94	CLL-1504	30.78	121.17
	5.91	CLL-1506	30.78	181.75
	7.87	CLL-1508	30.78	242.33
	9.84	CLL-15010	30.78	302.92
	11.81	CLL-15012	30.78	363.50
200 [206.1]	1.97	CLL-2002	41.17	81.04
	5.91	CLL-2006	41.17	243.13
	11.81	CLL-20012	41.17	486.27
250 [284.0]	1.97	CLL-2502	56.75	111.70
	5.91	CLL-2506	56.75	335.11
	11.81	CLL-25012	56.75	670.22
300 [353.6]	1.97	CLL-3002	70.71	139.19
	5.91	CLL-3006	70.71	417.56
	11.81	CLL-30012	70.71	835.11
400 [433.9]	1.97	CLL-4002	86.79	170.84
	5.91	CLL-4006	86.79	512.51
	11.81	CLL-40012	86.79	1025.02
500 [566.3]	1.97	CLL-5002	113.25	222.99
	5.91	CLL-5006	113.25	668.77
	11.81	CLL-50012	113.25	1337.55
600 [662.9]	1.97	CLL-6002	132.57	260.97
	5.91	CLL-6006	132.57	782.90
	11.81	CLL-60012	132.57	1565.81
800 [911.6]	1.97	CLL-8002	182.42	359.09
	5.91	CLL-8006	182.42	1077.27
	11.81	CLL-80012	182.42	2154.55
1000 [1136]	1.97	CLL-10002	227.30	447.43
	5.91	CLL-10006	227.30	1342.30
	11.81	CLL-100012	227.30	2684.59

Single-Acting, Lock Nut Cylinders

*Optional Tilt Saddle



Capacity:
50-1,000 tons

Stroke:
1.97-11.81 inches

Maximum Operating Pressure:
10,000 psi

CLL
Series



Collap. Height	Ext. Height	Outside Diam.	Cyl. Bore Diam.	Plunger Diameter (threaded)	Base to Advance Port	Stand. Saddle Diam.	Saddle Protrusion from Plgr.	Depth of Plunger Hole	Lock Nut Height	Weight	Model Number	* Optional Tilt Saddle		
												Diam.	Height	Model Number
A (in)	B (in)	D (in)	E (in)	F (mm)	H (in)	J (in)	K (in)	L (in)	S (in)	(lbs)		J1 (in)	K1 (in)	
6.46	8.43	4.92	3.74	Tr 95 x 4	1.18	2.80	.08	.51	1.42	35	CLL-502	2.80	.94	CAT-100
8.43	12.36	4.92	3.74	Tr 95 x 4	1.18	2.80	.08	.51	1.42	46	CLL-504	2.80	.94	CAT-100
10.39	16.30	4.92	3.74	Tr 95 x 4	1.18	2.80	.08	.51	1.42	57	CLL-506	2.80	.94	CAT-100
12.36	20.24	4.92	3.74	Tr 95 x 4	1.18	2.80	.08	.51	1.42	68	CLL-508	2.80	.94	CAT-100
14.33	24.17	4.92	3.74	Tr 95 x 4	1.18	2.80	.08	.51	1.42	79	CLL-5010	2.80	.94	CAT-100
16.30	28.11	4.92	3.74	Tr 95 x 4	1.18	2.80	.08	.51	1.42	90	CLL-5012	2.80	.94	CAT-100
7.36	9.33	6.50	5.12	Tr 130 x 6	1.18	2.80	.08	.51	1.73	68	CLL-1002	2.80	.94	CAT-100
9.33	13.27	6.50	5.12	Tr 130 x 6	1.18	2.80	.08	.51	1.73	87	CLL-1004	2.80	.94	CAT-100
11.30	17.20	6.50	5.12	Tr 130 x 6	1.18	2.80	.08	.51	1.73	106	CLL-1006	2.80	.94	CAT-100
13.27	21.14	6.50	5.12	Tr 130 x 6	1.18	2.80	.08	.51	1.73	125	CLL-1008	2.80	.94	CAT-100
15.24	25.08	6.50	5.12	Tr 130 x 6	1.18	2.80	.08	.51	1.73	143	CLL-10010	2.80	.94	CAT-100
17.20	29.02	6.50	5.12	Tr 130 x 6	1.18	2.80	.08	.51	1.73	162	CLL-10012	2.80	.94	CAT-100
8.23	10.20	8.07	6.26	Tr 159 x 6	1.54	5.12	.08	.98	1.73	117	CLL-1502	5.12	.79	CAT-200
10.20	14.13	8.07	6.26	Tr 159 x 6	1.54	5.12	.08	.98	1.73	146	CLL-1504	5.12	.79	CAT-200
12.17	18.07	8.07	6.26	Tr 159 x 6	1.54	5.12	.08	.98	1.73	174	CLL-1506	5.12	.79	CAT-200
14.13	22.01	8.07	6.26	Tr 159 x 6	1.54	5.12	.08	.98	1.73	203	CLL-1508	5.12	.79	CAT-200
16.10	25.94	8.07	6.26	Tr 159 x 6	1.54	5.12	.08	.98	1.73	231	CLL-15010	5.12	.79	CAT-200
18.07	29.88	8.07	6.26	Tr 159 x 6	1.54	5.12	.08	.98	1.73	260	CLL-15012	5.12	.79	CAT-200
9.57	11.54	9.25	7.24	Tr 184 x 6	1.97	5.12	.08	.98	1.97	183	CLL-2002	5.12	.79	CAT-200
13.50	19.41	9.25	7.24	Tr 184 x 6	1.97	5.12	.08	.98	1.97	260	CLL-2006	5.12	.79	CAT-200
19.41	31.22	9.25	7.24	Tr 184 x 6	1.97	5.12	.08	.98	1.97	376	CLL-20012	5.12	.79	CAT-200
9.80	11.77	10.83	8.50	Tr 216 x 6	1.97	5.91	.08	.98	2.20	256	CLL-2502	5.91	.83	CAT-250
13.74	19.65	10.83	8.50	Tr 216 x 6	1.97	5.91	.08	.98	2.20	359	CLL-2506	5.91	.83	CAT-250
19.65	31.46	10.83	8.50	Tr 216 x 6	1.97	5.91	.08	.98	2.20	515	CLL-25012	5.91	.83	CAT-250
11.61	13.58	12.20	9.49	Tr 241 x 6	2.32	5.47	.20	.98	2.36	382	CLL-3002	7.68	2.95	CAT-300
15.55	21.46	12.20	9.49	Tr 241 x 6	2.32	5.47	.20	.98	2.36	514	CLL-3006	7.68	2.95	CAT-300
21.46	33.27	12.20	9.49	Tr 241 x 6	2.32	5.47	.20	.98	2.36	712	CLL-30012	7.68	2.95	CAT-300
13.19	15.16	13.78	10.51	Tr 266 x 6	2.76	6.26	.20	.98	2.76	553	CLL-4002	8.86	3.35	CAT-400
17.13	23.03	13.78	10.51	Tr 266 x 6	2.76	6.26	.20	.98	2.76	721	CLL-4006	8.86	3.35	CAT-400
23.03	34.84	13.78	10.51	Tr 266 x 6	2.76	6.26	.20	.98	2.76	972	CLL-40012	8.86	3.35	CAT-400
14.76	16.73	15.75	12.01	Tr 305 x 6	3.15	7.05	.20	.98	3.15	809	CLL-5002	9.84	3.58	CAT-500
18.70	24.61	15.75	12.01	Tr 305 x 6	3.15	7.05	.20	.98	3.15	1029	CLL-5006	9.84	3.58	CAT-500
24.61	36.42	15.75	12.01	Tr 305 x 6	3.15	7.05	.20	.98	3.15	1360	CLL-50012	9.84	3.58	CAT-500
15.55	17.52	16.93	12.99	Tr 330 x 6	3.35	7.64	.20	.98	3.35	985	CLL-6002	10.83	3.78	CAT-600
19.49	25.39	16.93	12.99	Tr 330 x 6	3.35	7.64	.20	.98	3.35	1241	CLL-6006	10.83	3.78	CAT-600
25.39	37.20	16.93	12.99	Tr 330 x 6	3.35	7.64	.20	.98	3.35	1625	CLL-60012	10.83	3.78	CAT-600
17.91	19.88	19.88	15.24	Tr 387 x 6	3.94	8.82	.20	.98	3.94	1565	CLL-8002	12.60	4.84	CAT-800
21.85	27.76	19.88	15.24	Tr 387 x 6	3.94	8.82	.20	.98	3.94	1918	CLL-8006	12.60	4.84	CAT-800
27.76	39.57	19.88	15.24	Tr 387 x 6	3.94	8.82	.20	.98	3.94	2446	CLL-80012	12.60	4.84	CAT-800
19.49	21.46	22.05	17.01	Tr 432 x 6	4.33	9.80	.20	.98	4.33	2094	CLL-10002	14.17	5.35	CAT-1000
23.43	29.33	22.05	17.01	Tr 432 x 6	4.33	9.80	.20	.98	4.33	2517	CLL-10006	14.17	5.35	CAT-1000
29.33	41.14	22.05	17.01	Tr 432 x 6	4.33	9.80	.20	.98	4.33	3151	CLL-100012	14.17	5.35	CAT-1000