



The Next Necessity™



Instant Hot Water Dispensers

Model F-1000S Filtration System

A water filtration system exclusively designed for InSinkErator instant hot water dispensers

Submittal Sheet

- Reduces particulates, chlorine taste and odor for clean, refreshing taste
- Quick-connect fittings guarantee easy installation
- Sanitary, quick-change filter cartridge makes replacement easy. A simple twist is all it takes!
- Automatically shuts off water when filter cartridge is replaced
- Replace every 6 months at the rated capacity or if a noticeable reduction in flow rate occurs

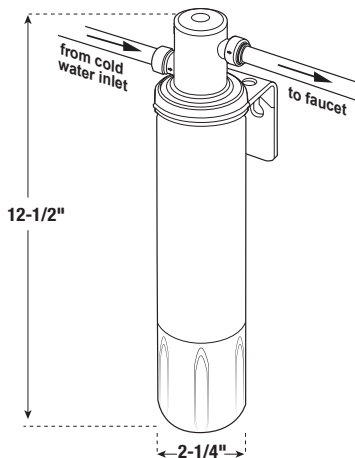
Specifications

Filter Capacity	500 gallons
Temperature Range	Incoming cold water supply line can be from 33°F to 100°F (1°C to 38°C). Connect to cold water supply line only.
Pressure	30-120 psi
Flow Rate	0.75 gpm
Shipping Weight	Approximately 2.2 lbs.

Warranty:
1-year parts and in-home service*
(excluding replaceable filter cartridge)

* The complete InSinkErator warranty is included in the Care & Use booklet packed with each unit.

Dimensions



F-1000 Cartridge (included with this system) Chemical & Mechanical Reduction Filter Specifications:
This cartridge provides mechanical and chemical reduction of chlorine taste & odor and particulate class III.

	Tested & Certified by NSF International against NSF/ANSI Standard 42 in the following InSinkErator Systems Only: GN1100, HC1100, GN2200, HC2200, GN2215, HC2215, H3300 or HC3300 for the reduction of claims specified on the Performance Data Sheet. For systems using two handle HC model faucets, operate only one handle at a time.	Pressure: 30-120 (207-827 kPa) psi
		Temperature: 33°F - 100°F
		Flow Rate: 0.75 gpm
		Capacity: 500 gallons

Filter Capacity: 500 gallons, depending on local water conditions. Note that while the testing was performed under standard laboratory conditions, actual performance may vary. Do not use with water that is microbiologically unsafe or of unknown quality without adequate disinfection before or after the system. For cold water use only. Systems must be installed and operated in accordance with the Manufacturer's recommended procedures and guidelines. See warranty card for warranty. For service and parts, contact your local dealer.

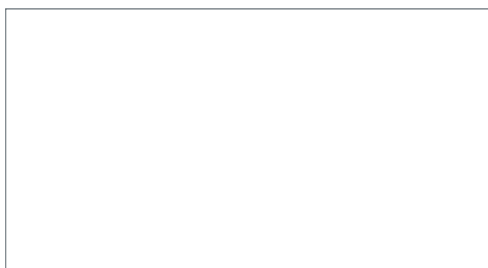
Contaminant Reduction	Average Influent	Influent Challenge Concentration, Except As Noted, Units Apply to Each Row.	Avg. Product Water	Average % Reduction	NSF Red. Requirements	NSF Test
Chlorine Taste & Odor	2.1 mg/L	2.0 mg/L ± 10%	0.06 mg/L	97.0%	≥ 50%	J-00082587
Nominal Particulate Class III, ≥5 µm to <15 µm	270,000 pts/mL	At least 10,000 particles/mL	82 pts/mL	99.9%	≥85%	J-00119308

Application guidelines/Water Supply Parameters for NSF Testing: Service flow of 0.75 gpm, community or private well water supply, water pressure of 30-120 psi (207-827 kPa), water temperature of 33°F-100°F. Except as noted, all testing performed at pH = 7.5 ± 0.5, Flow: 0.75 gpm, Pressure: 60 psi, Temp: 20±3°C.

Refer to the Performance Data Sheet for InSinkErator Filter System Model F-1000S
Replacement Cartridge: F-1000

Replacement filters F-1000 and F-2000 can be ordered by visiting shop.insinkerator.com or by contacting an authorized InSinkErator reseller.

Job Specifications



USA
1-800-558-5700
www.insinkerator.com

Canada
1-800-558-5700
www.insinkerator.ca



The Emerson logo is a trademark and a service mark of Emerson Electric Co.

InSinkErator may make improvements and/or changes in the specifications at any time, in its sole discretion, without notice or obligation and further reserves the right to change or discontinue models.

©2017 InSinkErator, a business unit of Emerson Electric Co. All Rights Reserved.