

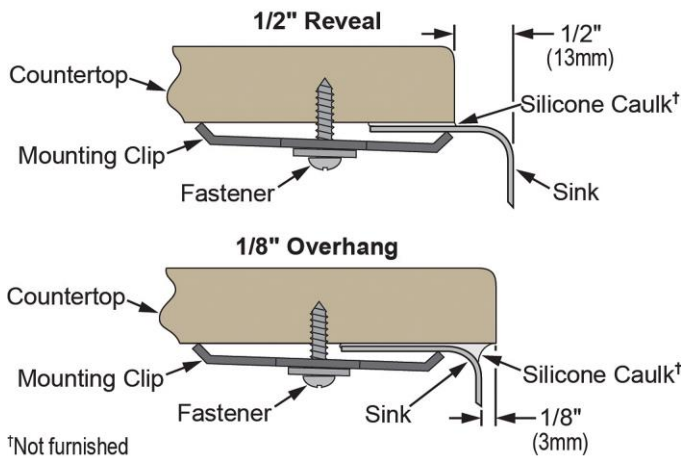
PRODUCT SPECIFICATIONS

Elkay Stainless Steel 31-1/4" x 20-1/2" x 10", Offset Double Bowl Undermount Sink. Sink is manufactured from 18 gauge 304 Stainless Steel with a Soft Highlighted Satin finish, Rear Center drain placement, and Sound Guard.

Installation Type:	Undermount
Material:	304 Stainless Steel
Finish:	Soft Highlighted Satin
Gauge:	18
Sound Deadening:	Sound Guard
Number of Bowls:	2
Sink Dimensions:	31-1/4" x 20-1/2" x 10"
Bowl 1 Dimensions:	14" x 15-3/4" x 8"
Bowl 2 Dimensions:	13-1/2" x 18" x 10"
Drain Size:	3-1/2" (89mm)
Drain Location:	Rear Center
Minimum Cabinet Size:	36"
Mounting Hardware:	Part # 54300008 included
Template Included:	Yes
Cutout Template #:	1000001453

Template is available for download at [elkay.com](#)

Installation Profile:



†Not furnished
Designed to affix to the underside of any solid surface countertop.



AMERICAN PRIDE. A LIFETIME TRADITION.
Like your family, the Elkay family has values and traditions that endure. For almost a century, Elkay has been a family-owned and operated company, providing thousands of jobs that support our families and communities.



Sinks are listed by IAPMO® as meeting the applicable requirements of the Uniform Plumbing Code®, International Plumbing Code®, and National Plumbing Code of Canada.

Product Compliance: ASME A112.19.3/CSA B45.4

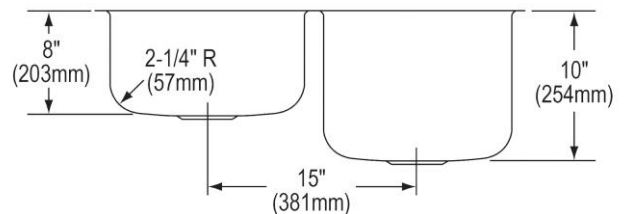
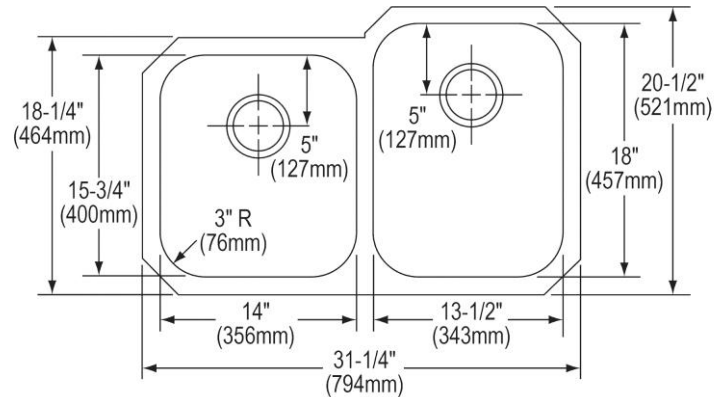
[Clean and Care Manual \(PDF\)](#)

[Installation Instructions \(PDF\)](#)

[Limited Lifetime Warranty \(PDF\)](#)

Similar models are available with:

small bowl on the opposite side, included accessories (kit)



PART: _____ QTY: _____

PROJECT: _____

CONTACT: _____

DATE: _____

NOTES: _____

APPROVAL: _____

In keeping with our policy of continuing product improvement, Elkay reserves the right to change product specifications without notice. Please visit [elkay.com](#) for the most current version of Elkay product specification sheets. This specification describes an Elkay product with design, quality, and functional benefits to the user. When making a comparison of other producers' offerings, be certain these features are not overlooked.

OPTIONAL ACCESSORIES

Bottom Grid:	LKWOBG1318SS (large bowl), LKWOBG1415SS (small bowl)
Cutting Board:	CB1516
Drain:	LK99
Faucet:	LKGT1041, LKGT2041
Rinsing Basket:	LKWRB1318SS, LKWERBSS, LKWRB1316SS
Sinkmate:	LKSM17, LKSMHOOK, LKSMSPONGE, LKSMHSL
Soap Dispenser:	LKGT1054

In keeping with our policy of continuing product improvement, Elkay reserves the right to change product specifications without notice. Please visit elkay.com for the most current version of Elkay product specification sheets. This specification describes an Elkay product with design, quality, and functional benefits to the user. When making a comparison of other producers' offerings, be certain these features are not overlooked.