



XC-Series Cordless Hydraulic Pump

Extreme
Performance

Cordless
Convenience



▼ Shown: XC-1201



Performance of a Powered Pump Portability of a Hand Pump

- Lightweight design with integrated handle and carrying strap for portability
- Bladder reservoir prevents contamination and allows pump usage in any position
- Powerful ½ horsepower motor and 28 volt Lithium-Ion battery deliver exceptional speed and run time
- High-strength fiberglass reinforced composite shroud for superior durability in demanding job site environments
- Cordless technology eliminates tripping hazards found in other electric or air powered pumps
- Available in both single-acting and double-acting valve configurations



GA45GC Gauge Adaptor

Protect yourself from system overloading by simply ordering one part number for a pre-assembled gauge, adaptor block and coupler.



Battery packs contain no cadmium, so they are environmentally friendly. Enerpac encourages recycling.



28-Volt Battery

The XC-28V with Lithium-Ion technology for maximum battery performance.



Battery Charger

1-hour quick charger.

XC-115VC	115 VAC
XC-230VC	230 VAC



Hydraulic Swivel Connector

Customer installed swivel connector for optimal orientation of the hydraulic hose.

Order model number ¹⁾	XSC1
----------------------------------	-------------

¹⁾ Accessories must be ordered separately.

◀ Power and simplicity for the toughest jobs.

Cordless Hydraulic Pump



XC-Series Cordless Hydraulic Pump

The XC-Series cordless pump is ideal for jobs that require a combination of portability, speed, and safety. These cordless pumps are perfect for remote locations without access to power, but also indoors where trip hazards, ergonomics or size is a concern. The XC-Series cordless pump is compatible with all Enerpac hydraulic tools and small to medium sized cylinders.

The Lithium-Ion battery provides superior run time, even under extreme job site conditions.*

- 279 cuts of 3/8 inch reinforcing bar using the WHC-750 Cutter
- 112 lifts with the WR-5 Spreader
- 44 splits on 1-inch, grade 8 nuts using the NC-3241 Nut Splitter
- 28 lifts of an RC-104

The XC-Series cordless pump is CSA and CE compliant.

*Actual number of cycles per charge will vary depending on condition of tool, battery and ambient conditions. Battery life with double-acting tools is approximately 75% of that for comparable, single-acting tools.



XC Series

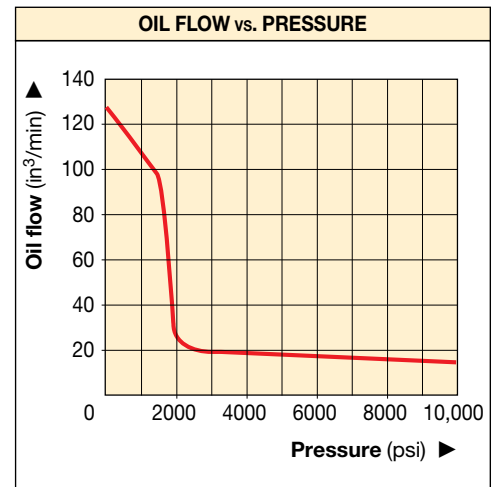
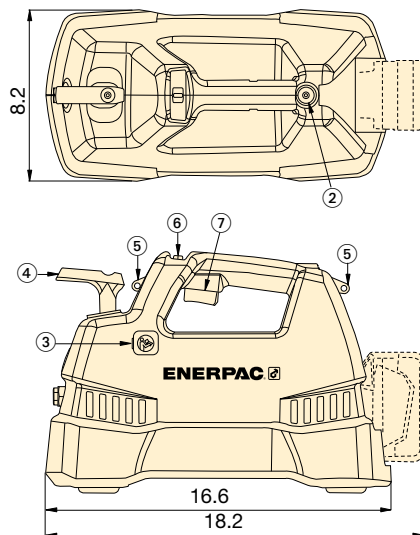
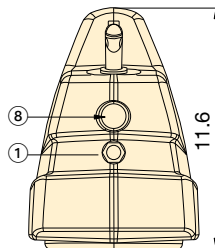


Reservoir Capacity:
60-120 in³

Flow at Rated Pressure:
15 in³/min.

Maximum Operating Pressure:
10,000 psi

- ① Outlet "Advance" Port
- ② Oil Fill (must use funnel)
- ③ User Adjustable Relief Valve Access Port
- ④ Directional Control Valve
- ⑤ Shoulder Strap Connection Points
- ⑥ Safety Lock Feature
- ⑦ On/Off Switch
- ⑧ Inlet "Retract" Port (double-acting models only)



Oil Capacity (in ³)	Model Number	Output Flow Rate (in ³ /min)			Valve Function	Charger Voltage (VAC)	Weight (lbs)
		No Load	2000 psi	10,000 psi			
60	XC-1201MB	125	30	15	3-way, 2-pos.	115	21.9
120	XC-1202MB	125	30	15			23.8
60	XC-1201ME	125	30	15	3-way, 2-pos.	230	21.9
120	XC-1202ME	125	30	15			23.8
60	XC-1201M*	125	30	15	3-way, 2-pos.	-	21.9
120	XC-1202M*	125	30	15			23.8
60	XC-1401MB	125	30	15	4-way, 3-pos.	115	22.3
120	XC-1402MB	125	30	15			24.2
60	XC-1401ME	125	30	15	4-way, 3-pos.	230	22.3
120	XC-1402ME	125	30	15			24.2
60	XC-1401M*	125	30	15	4-way, 3-pos.	-	22.3
120	XC-1402M*	125	30	15			24.2

* Batteries and charger not included.

▼ Take the battery pump anywhere without power cords or air hoses.



XC-Series Cordless Hydraulic Pump



The Industrial Tools Line

Cylinders and Lifting Products

- General Purpose
- Aluminum: Lock Nut, Solid, and Hollow Plunger
- Pancake, Low Height
- Pull
- Hollow Plunger
- Precision
- Long Stroke
- High Tonnage
- Jacks
- Level Lift System
- Pow'R-RISER® Lifting Jacks
- Pow'R-LOCK™ Lifting Jacks
- Extreme Environment Products

Pumps

- Manual
- Cordless and Electric Driven
- Compressed Air Driven
- Petrol Driven

System Components

- Hoses, Couplers, Oil
- Manifolds, Fittings
- Gauges, Adaptors

Valves

- 3-and 4-Way Directional
- Pressure and Flow Control

Presses

- H-Frame, Roll Frame
- C-Clamp and Arbor
- Tension Meters, Load Cells

Pullers

- Master Pullers Sets
- Multi Purpose Puller Sets
- Posi Lock® Pullers

Tools

- Maintenance Sets
- Punches
- Lifting Wedges
- Machine Lifts
- Load Skates
- Wedgie, Spreaders
- Cutters
- Pipe Benders

Bolting Tools

- Multipliers
- Torque Wrenches
- Impact Sockets
- Wrench and Tensioner Pumps
- Twin Safety Hoses
- Nut Cutters / Splitters
- Flange/Wedge Spreaders
- Flange Alignment Tools
- Flange Face Tool

Integrated Solutions

- Synchronized Lifting Systems
- Jack-Up Systems
- Bridge Launching Systems
- Synchronized Hoisting Systems
- Hydraulic Gantries
- Heavy Lifting Strand Jacks
- Skidding Systems
- Self-Erecting Towers
- Self Propelled Modular Transporter
- Chain Pulling Systems

Enerpac Worldwide Locations

For a complete list of addresses see:
www.enerpac.com/en-us/enerpac-locations

About Enerpac

Enerpac is the leading global provider of high-pressure hydraulic tools and solutions with a broad range of products, local expertise and worldwide distribution network. With a proven track record in a wide range of markets, Enerpac designs and manufactures high-quality tools and solutions for all industrial applications.

Enerpac has gained unique experience in delivering hydraulic solutions for the controlled movement and positioning of heavy objects. Enerpac supports your business by offering the right solutions and service to help you get your work done efficiently and safely.



www.enerpac.com for latest Enerpac information

- New products
- Trade shows
- Manuals (instruction and repair sheets)
- Nearest Distributors and Service Centers
- Enerpac products in action



Enerpac catalogs/brochures to meet your needs:

To obtain your copy just give us a call, or visit our Internet site www.enerpac.com



Enerpac Bolting Vans

- Demonstrate Enerpac Bolting Tools on your premises
- Calibrate all Bolting Tool brands
- Training for the safe and efficient use of Bolting Tools



Enerpac Academy

Enerpac Academy is our in-house training center, set up exclusively for Enerpac business partners, Enerpac users and Enerpac employees: training programs ranging from tool expertise, repairs and maintenance, to safe operation of high-pressure hydraulic tools.

Your Enerpac Distributor:

e-mail: info@enerpac.com
Internet: www.enerpac.com

ENERPAC 
POWERFUL SOLUTIONS. GLOBAL FORCE.