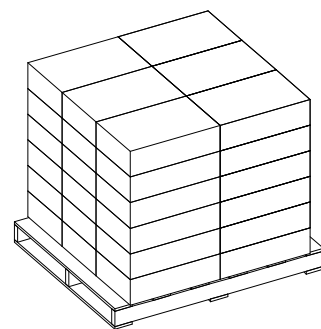


NOTES:

- 1) FINISH: GRAY
- 2) CABINET: 16 GA GALV. STEEL
- 3) 200 AMP CONTINUOUS
600 VAC, 1 PHASE, 3-WIRE
200 AMP BYPASS
- 4) EATON LABEL ATTACHED TO THE END OF CARTON.
- 5) TEMPORARY CARDBOARD METER OPENING COVER PROVIDED.
- 6) EATON LOGO STAMPED IN THE LOWER LEFT-HAND CORNER OF FRONT.
- 7) PALLETIZE 36 UNIT PER PALLET. PALLET & CARTONS ARE NOT TO EXCEED 42" HIGH.



TITLE / DESCRIPTION		SKT 200A 1P HCP		DRAFTER/DESIGNER		RLK		DATE (YYYY/MM/DD)		2014/01/27	
THE INFORMATION ON THIS DRAWING IS DISCLOSED IN CONFIDENCE AND IS NOT TO BE REPRODUCED, USED OR DISCLOSED, EXCEPT FOR THE PURPOSE WHICH FURNISHED.		 © 2002 Eaton Corporation, All Rights Reserved		SIZE	DRAWING NUMBER	UTT-H4213U-CH		REVISION	003		
				UNLESS OTHERWISE SPECIFIED DIMENSIONS IN INCHES		SCALE	N/A		SHEET	1 of 1	
4		3		2		1		DSD_BFM_ACAD_VEB.DWG			