

# BALDOR® • RELIANCE

## Product Information Packet

# SSGF1026BG

SSF-926-10-B7-G W/HNBR SEALS

Specs			
Motor Mount:	140TC		
Output Type:	STAINLESS RIGHT ANGLE		
Shaft Configuration:	HOLLOW SHAFT		
Sub Family:	SSF		
Product Series:	900		

Nameplate NP1756L	
INPUT H.P.	3.59
RATIO	10
	SSF-926-10-B7-G
CAT./SPEC	SSGF1026BG
SERIAL NUMBER	
	R TORQ-INLB 1177
	GR0286C002G1

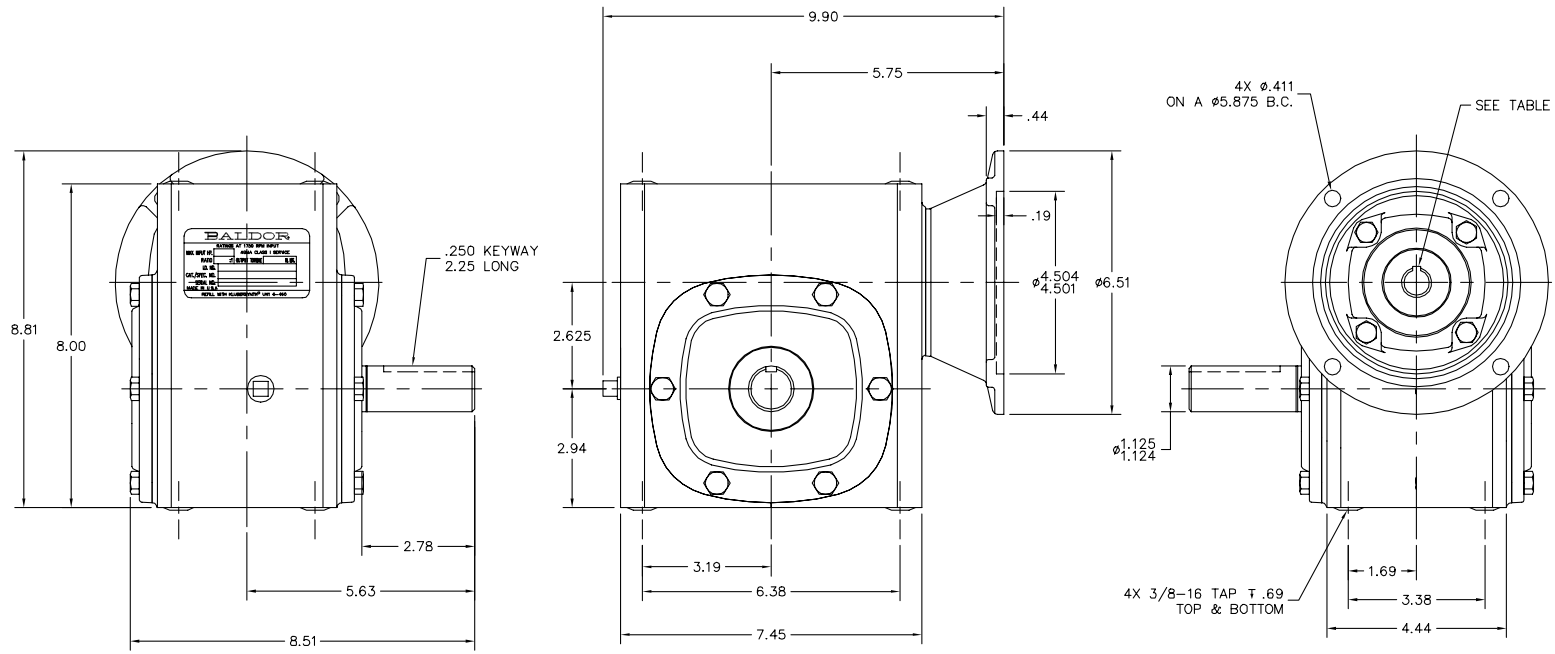
Parts List		
Part Number	Description	Quantity
HG0053A03L01	SS926 HOUSING W/NP1756L LASER NP	1.000 EA
HA4027A02	SQUARE HEAD PIPE PLUG 3/8" NPTF #304 S.S	1.000 EA
926-1SR	N5000-281 WALDES TRUARC RETAINING RING	1.000 EA
WM0072B14	926 MTZ WM ASSY 10:1, 7/8 BORE SS CONFIG	1.000 EA
BG6306A01	6306 OPEN,C3,SLUSH	1.000 EA
HW5060A38	RET RING 5160-118(WALDES)	1.000 EA
GF0056A02	926 GR FLANGE NEMA 56, SS, W/2.6215 SEAL	1.000 EA
334276	SEAL TIGEAR 2	1.000 EA
RM1070A07	O-RING, (AS-568A-232) .139 X 2.734	1.000 EA
10XN3118S24	5/16-18 X 1 1/2 HEX HD SS	4.000 EA
HA9828A01	MCMASTERCARR #94709A318 5/16 SEAL WASHER	4.000 EA
BS0149A03G1	926 OP BRG SUPP, OPEN, W/2.061 BORE, SS	1.000 EA
GS0037A01	WORMGEAR GASKET, .003 (GREEN), 4.65 ID X	1.000 EA
GS0037A02	WORMGEAR GASKET, .005 (BLUE), 4.65 ID X	2.000 EA
GS0037A03	WORMGEAR GASKET, .010 (BROWN), 4.65 ID X	2.000 EA
RM1070A08	O-RING, (AS-568A-244) .139 X 4.234	1.000 EA
334353	HARSH DUTY SEAL O/P 13-26	1.000 EA
10XN3118S12	5/16-18 X 3/4 HEX HEAD CAP, STAINLESS ST	4.000 EA
SG0012B85	926 GR SHFT ASSY 10:1,SGL O/P, W/SS SHF	1.000 EA
BS0148A01G1	926 BG SPT ASSY, CLOSED, STAINLESS	1.000 EA
GS0037A01	WORMGEAR GASKET, .003 (GREEN), 4.65 ID X	1.000 EA
GS0037A02	WORMGEAR GASKET, .005 (BLUE), 4.65 ID X	2.000 EA
GS0037A03	WORMGEAR GASKET, .010 (BROWN), 4.65 ID X	2.000 EA
RM1070A08	O-RING, (AS-568A-244) .139 X 4.234	1.000 EA

<b>Parts List (continued)</b>		
<b>Part Number</b>	<b>Description</b>	<b>Quantity</b>
10XN3118S12	5/16-18 X 3/4 HEX HEAD CAP, STAINLESS ST	6.000 EA
HA3557A02	ALLIANCE #PP3/8 PLUG	4.000 EA
MJ5004A35	ADHESIVE LOCTITE #243-31 50 ML	0.039 EA
MJ1000A90	KLUBERSYNTH UH1-6-460 WORMGEAR OIL	0.287 GA
LB5042	TOE TAG, OIL PREFILL KLUBERSYN (5000/bx)	1.000 EA
LT0066A08	REDUCER MAINT - KLUBE (1700/bx) 8/09	1.000 EA
MJ1000B01	ANTISEIZE - ALTEMP Q NB 50, 750 GRAM CAN	0.001 EA
HA3556A02	WORM BORE PLUG 7/8 BORE, CAPPLUGS WW-11X	1.000 EA
35PA1000	PKG GRP, PRINT PK1008A06	1.000 EA
HW2502E18	#303 SS,SQ KEY 1/4 X 2.000	1.000 EA
10XN3816S16	3/8-16 X 1 HEX HD CAP SCREW, STAINLE	4.000 EA
HW1001S38	WASHER, 3/8 SPLT LK, STAINLESS STEEL	4.000 EA
RM1070A05	O-RING, (AS-568A-249) .139 X 4.859	1.000 EA
MP1009A01	4 X 4 ZIP POLYBAG, 2 MIL	1.000 EA

<b>Accessories</b>		
<b>Part Number</b>	<b>Description</b>	<b>Multiplier</b>
SSB26H71	SS926 SERIES WORMGEAR BASE ASSY, HORZ	A8
133-6FBA	INPUT BUSHING KIT 5/8 TO 7/8	A8

No performance data has been  
assigned to this product.

GY0286C06



	BORE	KEYWAY
B5	.625	.188
B7	.875	.188

GY0286C06

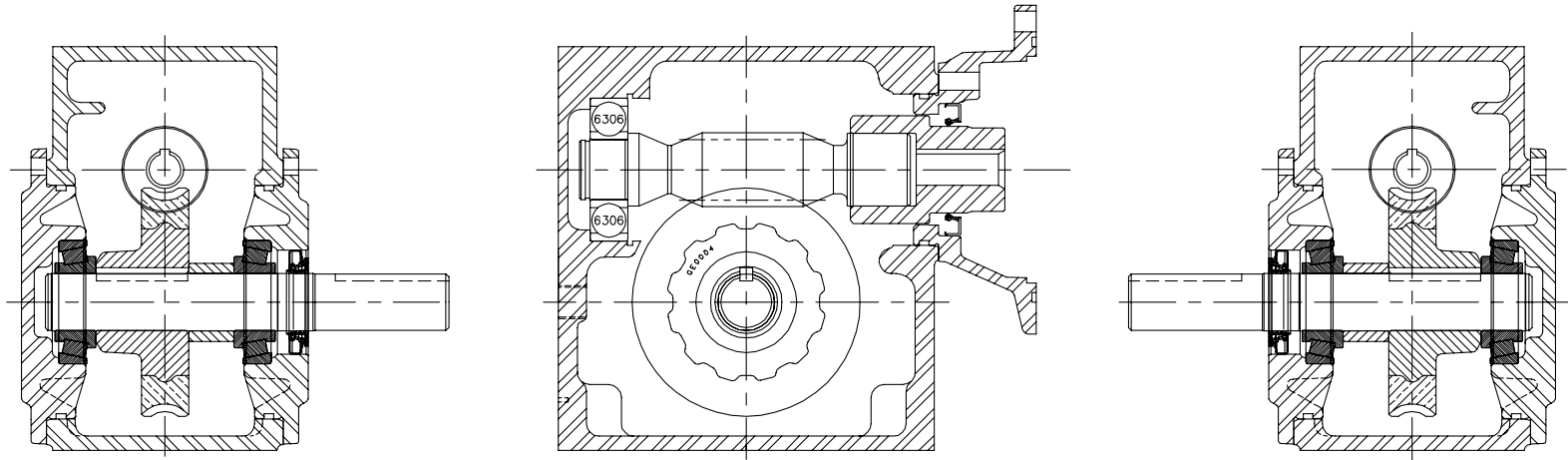
REV. DESC: NEW	VERSION: 00	TDR: 000000816395
REV. LTR: -	REVISED: 09:50:58 09/13/2013	BY: CKPHIWO
FILE: \CKA\00038\134		
MTL: -		

**BALDOR**

SSF-926-B5/B7-G STANDARD MOUNTING W/HARSH DUTY SEAL

SH 1 of 2

GY0286C06



GY0286C06

REV. DESC: NEW	VERSION: 00	TDR: 000000816395
REV. LTR: -	REVISED: 09:51:00 09/13/2013	BY: CKPHIWO
FILE: \CKA\00038\134		
MTL: -		

**BALDOR**  
SSF-926-B5/B7-G STANDARD MOUNTING W/HARSH DUTY SEAL  
SH 2 of 2