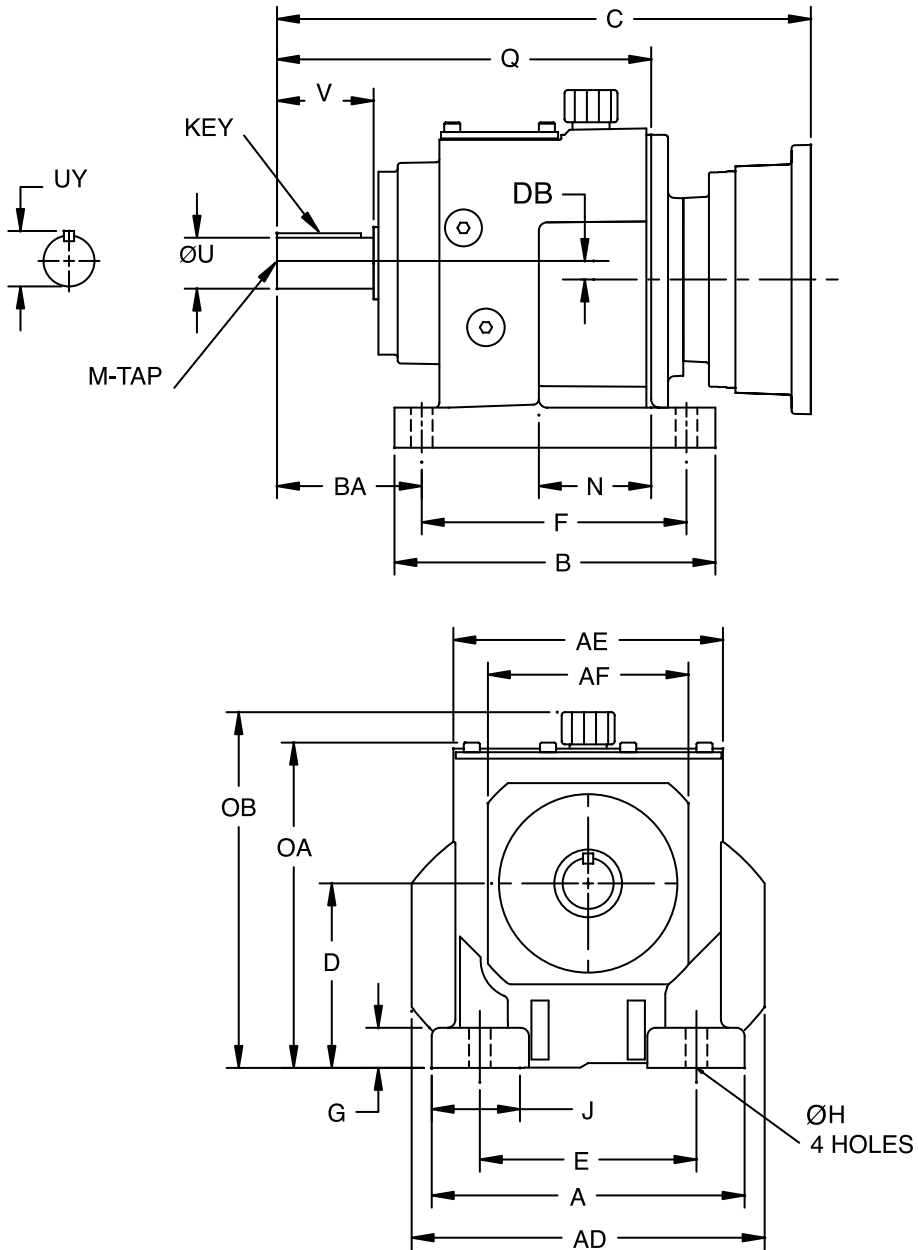


DIMENSIONS



ILH Foot Mounted, Clamp Collar C-Face Reducers



FEATURES/BENEFITS
PAGE G3-2

HOW TO ORDER
PAGE G3-3

SELECTION
PAGE G3-4

DIMENSIONS
PAGE G3-12

DIMENSIONS



ILH Foot Mounted, Clamp Collar C-Face Reducers

Size	Frame Size	A	B	C	D	E	F	G	ØH	J	N	Q	V	AD	AE	AF	BA
HB38	56C	5.77	6.30	9.57	3.54	4.33	5.12	0.79	0.39	1.33	2.33	7.48	1.97	6.42	5.07	3.77	2.95
	140TC			10.24													
	180TC			9.98													
HB48	56C	7.68	7.87	10.73	4.53	5.32	6.50	0.98	0.53	2.17	2.76	9.17	2.36	8.66	6.61	4.92	3.54
	140TC			11.40													
	180TC			11.74													
HB68	56C	9.25	9.65	11.97	5.51	6.69	8.07	1.18	0.69	2.36	3.27	11.38	3.15	10.35	8.14	6.32	4.53
	140TC			12.64													
	180TC			12.99													
	210TC			15.33													
HB88	56C	11.42	12.21	13.88	7.09	8.47	10.24	1.77	0.69	2.95	4.26	14.41	3.94	13.07	10.24	7.87	5.52
	140TC			14.55													
	180TC			14.90													
	210TC			17.95													
HB108	140TC	13.39	14.37	16.08	8.86	9.84	12.21	1.97	0.87	3.58	4.94	16.96	4.72	16.14	12.05	9.85	6.28
	180TC			16.45													
	210TC			19.42													

Size	DB	OA	OB	ØU	UY	KEY	M-TAP
HB38	0	6.21	N/A	1.000	1.11	1/4 x 1/4 x 1-5/8	3/8-16 UNC x 0.87
HB48	0	7.98	8.73	1.250	1.36	1/4 x 1/4 x 2	3/8-16 UNC x 0.87
HB68	0	9.65	10.58	1.625	1.79	3/8 x 3/8 x 2-5/8	5/8-11 UNC x 1.42
HB88	0	12.21	13.17	2.125	2.35	1/2 x 1/2 x 3-1/4	3/4-10 UNC x 1.65
HB108	0	15.32	16.20	2.375	2.65	5/8 x 5/8 x 3-15/16	3/4-10 UNC x 1.65

FEATURES/BENEFITS PAGE G3-2	HOW TO ORDER PAGE G3-3	SELECTION PAGE G3-4	DIMENSIONS PAGE G3-12
--------------------------------	---------------------------	------------------------	--------------------------