

BALDOR® • RELIANCE

Product Information Packet

GSF6020AA

STF-200-60-A-A

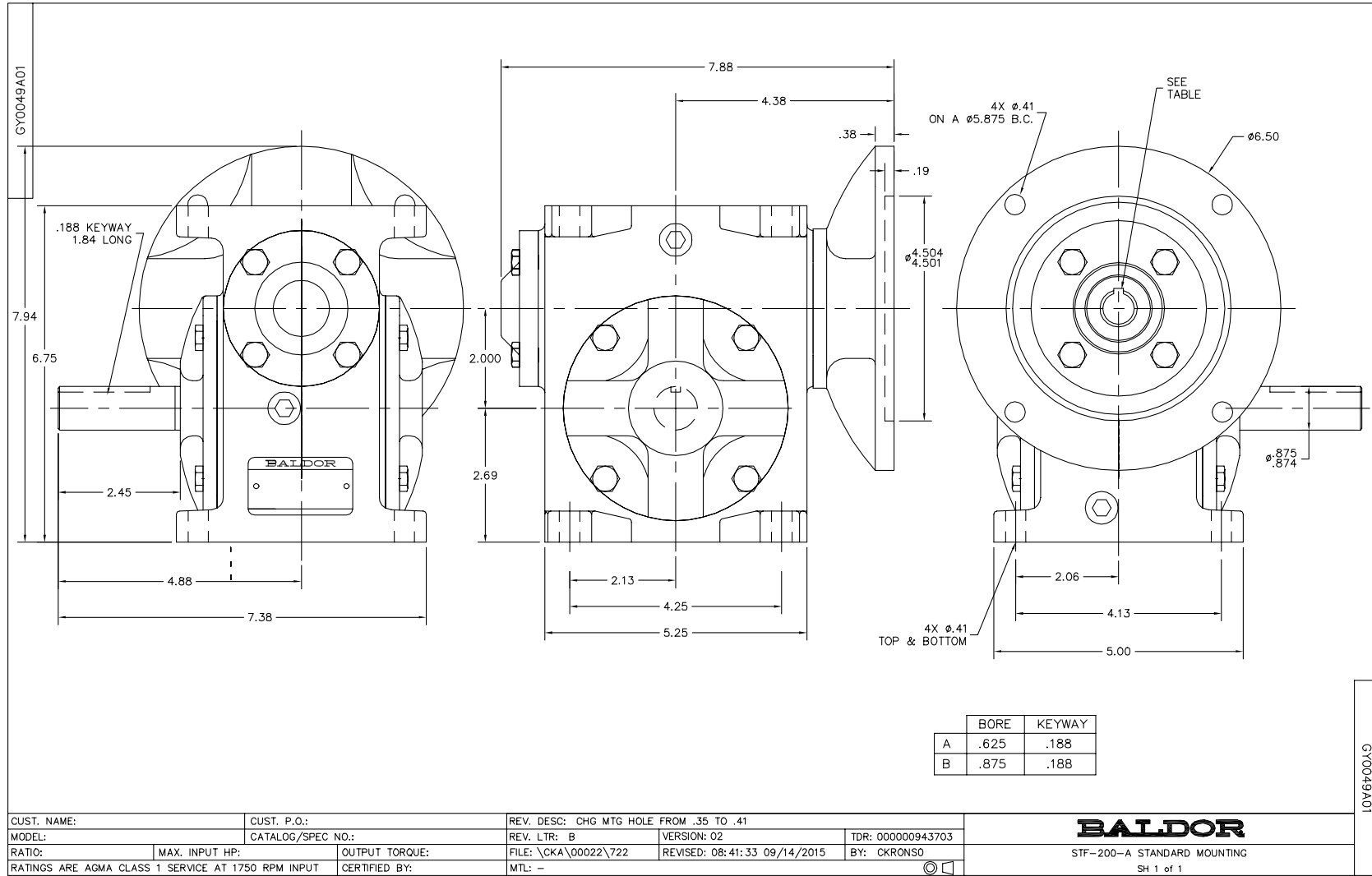
Specs			
Motor Mount:	56C		
Output Type:	RIGHT ANGLE		
Shaft Configuration:	SOLID SHAFT		
Sub Family:	STF		
Product Series:	UNIVERSAL		

Nameplate NP1753L			
INPUT H.P.	.360		
RATIO	60		
		R TORQ-INLB	505
	STF-200-60-A-A		
CAT./SPEC	GSF6020AA		GR0049C034
SERIAL NO.			

Parts List		
Part Number	Description	Quantity
HG0003A01	200 HOUSING, UNIV SERIES, MACHINI	1.000 EA
133-18	1/4 NPTF-HX SOC PIPE PLG 3/4 TPR W/PATCH	1.000 EA
WM0076B08	200 MTZ WORM ASSY 60:1 RATIO 5/8 BORE	1.000 EA
BG5204A01NR	5204 OPEN,DBL ROW,ANG.CONTACT,SNAP RING	1.000 EA
918-9SR	5160-75 RET RING 5160-75	1.000 EA
200-2F	WM GLAND CL MTZ	1.000 EA
200-11F	INP GSKT MTZ	4.000 EA
10XN2520K14	1/4-20 X .88 HEX GRD 5 (20001)	4.000 EA
GF0049A01	200/225 INPUT FLANGE, 56C	1.000 EA
200-11	INP GSKT STD	1.000 EA
HW4600G38	SEAL 1.250 X 1.752 X .250 SGL LIP FT802	1.000 EA
10XN2520K20	1/4-20 X 1.25" HX HD SCRWGRADE 5, ZI	4.000 EA
HW1001A25	LOCKWASHER 1/4, ZINC PLT .493 OD, .255 I	4.000 EA
BS0011A01	200-4 BEARING SUPPORT, CLOSED	1.000 EA
200-12	OUT GSKT	4.000 EA
10XN2520K12	1/4-20 X.75 GRD 5	4.000 EA
SG0010B10	200 GEAR SHAFT ASSY 60:1, SGL O/P, W/COM	1.000 EA
BS0031A01	200-5 BEARING SUPPORT, OPEN	1.000 EA
200-12	OUT GSKT	4.000 EA
HW4600C77	0.875 X 1.500 X 0.250 DBL LIP, CR #8702	1.000 EA
10XN2520K12	1/4-20 X.75 GRD 5	4.000 EA
MJ1000A90	KLUBERSYNTH UH1-6-460 WORMGEAR OIL	0.138 GA
MJ5001A19	LOCTITE #598 ULTRA BLACK, 50 LB PAIL, IT	0.010 LB
MJ5004A35	ADHESIVE LOCTITE #243-31 50 ML	0.001 EA

Parts List (continued)		
Part Number	Description	Quantity
MG1000G27	S-9282E MED CHARCOAL METALLIC GREY	0.030 GA
LT0066A08	REDUCER MAINT - KLUBE (1700/bx) 8/09	1.000 EA
LB5042	TOE TAG, OIL PREFILL KLUBERSYN (5000/bx)	1.000 EA
NP1753L	RIVETED LASER NP, GEAR REDUCER, UH1 6-46	1.000 EA
LB1242	ADHESIVE PATCH 1.10 X 2.03 X .045 THICK	1.000 EA
MJ1000B01	ANTISEIZE - ALTEMP Q NB 50, 750 GRAM CAN	0.001 EA
HA3556A01	CAPPLUGS T-7X, ORM BORE PLUG 5/8 BORE	1.000 EA
35PA1000	PKG GRP, PRINT PK1008A06	1.000 EA
HW2513A09	KEY .188 X 1.750 1018 STEEL	1.000 EA
HW0003D07	USER H/W PKG - 3/8 BOLT & WASHER	1.000 EA

No performance data has been
assigned to this product.



CUST. NAME:		CUST. P.O.:		REV. DESC: CHG MTG HOLE FROM .35 TO .41	
MODEL:		CATALOG/SPEC NO.:		REV. LTR: B	
RATIO:		MAX. INPUT HP:		VERSION: 02	
RATINGS ARE AGMA CLASS 1 SERVICE AT 1750 RPM INPUT		OUTPUT TORQUE:		TDR: 000000943703	
CERTIFIED BY:		FILE: \CKA\00022\722		REVISED: 08:41:33 09/14/2015	
		MTL: -		BY: CKRONSO	

BALDOR
STF-200-A STANDARD MOUNTING
SH 1 of 1