

BALDOR® • RELIANCE

Product Information Packet

GSF4023AA

STF-225-40-A-A

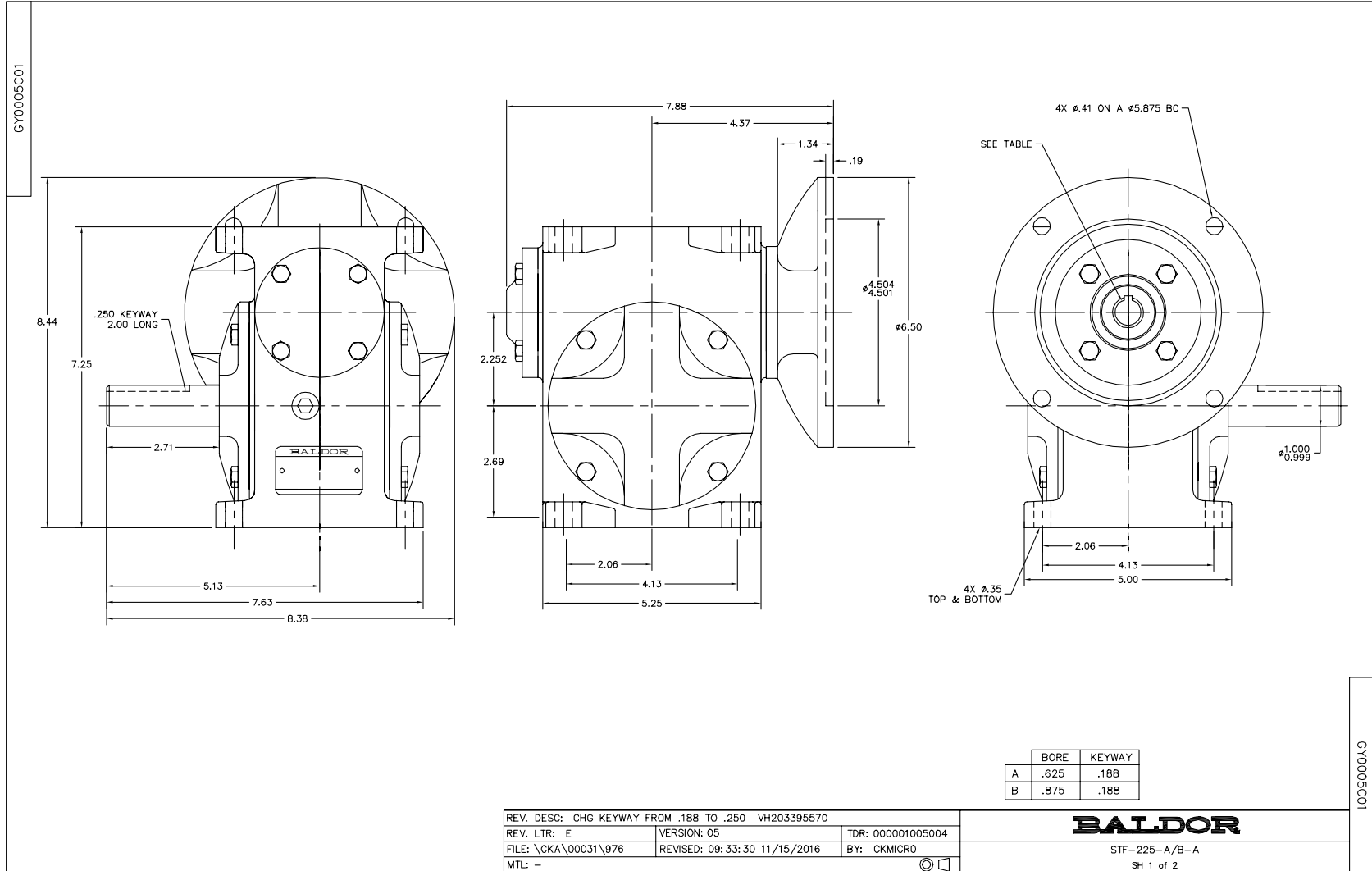
Specs			
Motor Mount:	56C		
Output Type:	RIGHT ANGLE		
Shaft Configuration:	SOLID SHAFT		
Sub Family:	STF		
Product Series:	UNIVERSAL		

Nameplate NP1753L	
INPUT H.P.	.710
RATIO	40
	STF-225-40-A-A
CAT./SPEC	GSF4023AA
SERIAL NO.	
	R TORQ-INLB 772
	GR0005C033

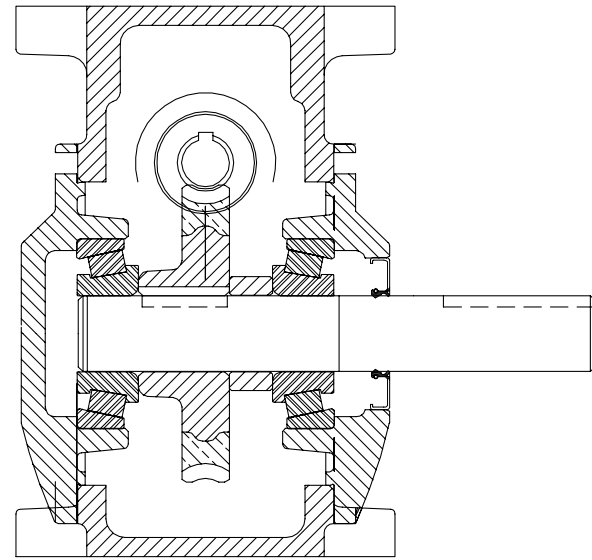
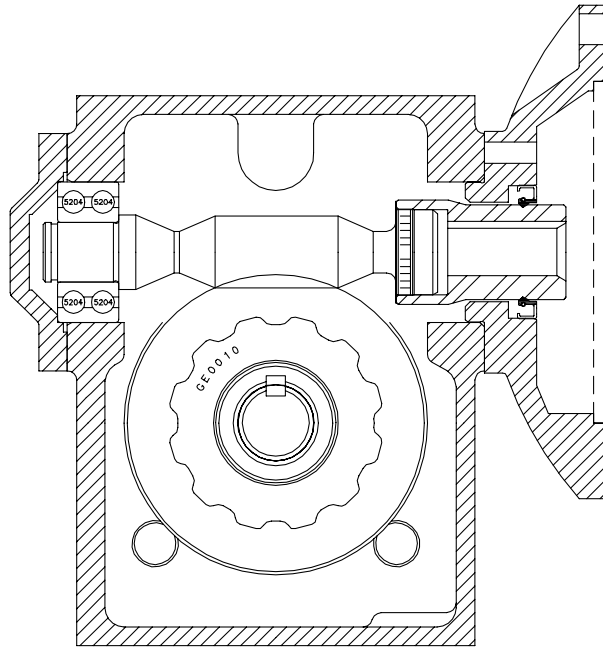
Parts List		
Part Number	Description	Quantity
HG0006A01	225 HOUSING, UNIV SERIES, MACHINI	1.000 EA
HW4001A02A01	3/8 HX SOC PIPE PLUG W/.75" TAPER (F/S)	1.000 EA
WM0077B06	225 MTZ WORM ASSY 40:1 RATIO 5/8 BORE	1.000 EA
BG5204A01NR	5204 OPEN,DBL ROW,ANG.CONTACT,SNAP RING	1.000 EA
918-9SR	5160-75 RET RING 5160-75	1.000 EA
200-2F	WM GLAND CL MTZ	1.000 EA
200-11F	INP GSKT MTZ	1.000 EA
10XN2520K12	1/4-20 X.75 GRD 5	4.000 EA
GF0049A01	200/225 INPUT FLANGE, 56C	1.000 EA
200-11	INP GSKT STD	1.000 EA
HW4600G38	SEAL 1.250 X 1.752 X .250 SGL LIP FT802	1.000 EA
10XN2520K20	1/4-20 X 1.25" HX HD SCRWGRADE 5, ZI	4.000 EA
HW1001A25	LOCKWASHER 1/4, ZINC PLT .493 OD, .255 I	4.000 EA
BS0001A01	225-4 BEARING SUPPORT, CLOSED	1.000 EA
225-12	OUT GSKT	4.000 EA
10XN2520K12	1/4-20 X.75 GRD 5	4.000 EA
SG0001B04	225 GEAR SHAFT ASSY 40:1, SGL O/P, W/COM	1.000 EA
BS0026A01	225-5 BEARING SUPPORT, OPEN	1.000 EA
225-12	OUT GSKT	4.000 EA
HW4600C78	1.000 X 2.000 X0.250 DBL LIP, CR #10124	1.000 EA
10XN2520K12	1/4-20 X.75 GRD 5	4.000 EA
MJ1000A90	KLUBERSYNTH UH1-6-460 WORMGEAR OIL	0.138 GA
MJ5001A19	LOCTITE #598 ULTRA BLACK, 50 LB PAIL, IT	0.010 LB
MG1000G27	S-9282E MED CHARCOAL METALLIC GREY	0.030 GA

Parts List (continued)		
Part Number	Description	Quantity
LT0066A08	REDUCER MAINT - KLUBE (1700/bx) 8/09	1.000 EA
LB5042	TOE TAG, OIL PREFILL KLUBERSYN (5000/bx)	1.000 EA
NP1753L	RIVETED LASER NP, GEAR REDUCER, UH1 6-46	1.000 EA
LB1242	ADHESIVE PATCH 1.10 X 2.03 X .045 THICK	1.000 EA
HA3556A01	CAPPLUGS T-7X, ORM BORE PLUG 5/8 BORE	1.000 EA
MJ1000B01	ANTISEIZE - ALTEMP Q NB 50, 750 GRAM CAN	0.001 EA
35PA1000	PKG GRP, PRINT PK1008A06	1.000 EA
HW2513A12	KEY .250 X 1.875 1018 STEEL	1.000 EA
HW0003D07	USER H/W PKG - 3/8 BOLT & WASHER	1.000 EA

No performance data has been
assigned to this product.



GY0005C01



GY0005C01

REV. DESC: CHG KEYWAY FROM .188 TO .250 VH203395570		
REV. LTR: E	VERSION: 05	TDR: 000001005004
FILE: \CKA\00031\976	REVISED: 09: 33: 30 11/15/2016	BY: CKMICRO
MTL: -		

BALDOR

STF-225-A/B-A
SH 2 of 2