

BALDOR® • RELIANCE

Product Information Packet

GF1515AG

F-915-15-B5-G

Specs			
Motor Mount:	56C		
Output Type:	RIGHT ANGLE		
Shaft Configuration:	SOLID SHAFT		
Sub Family:	F		
Product Series:	900		

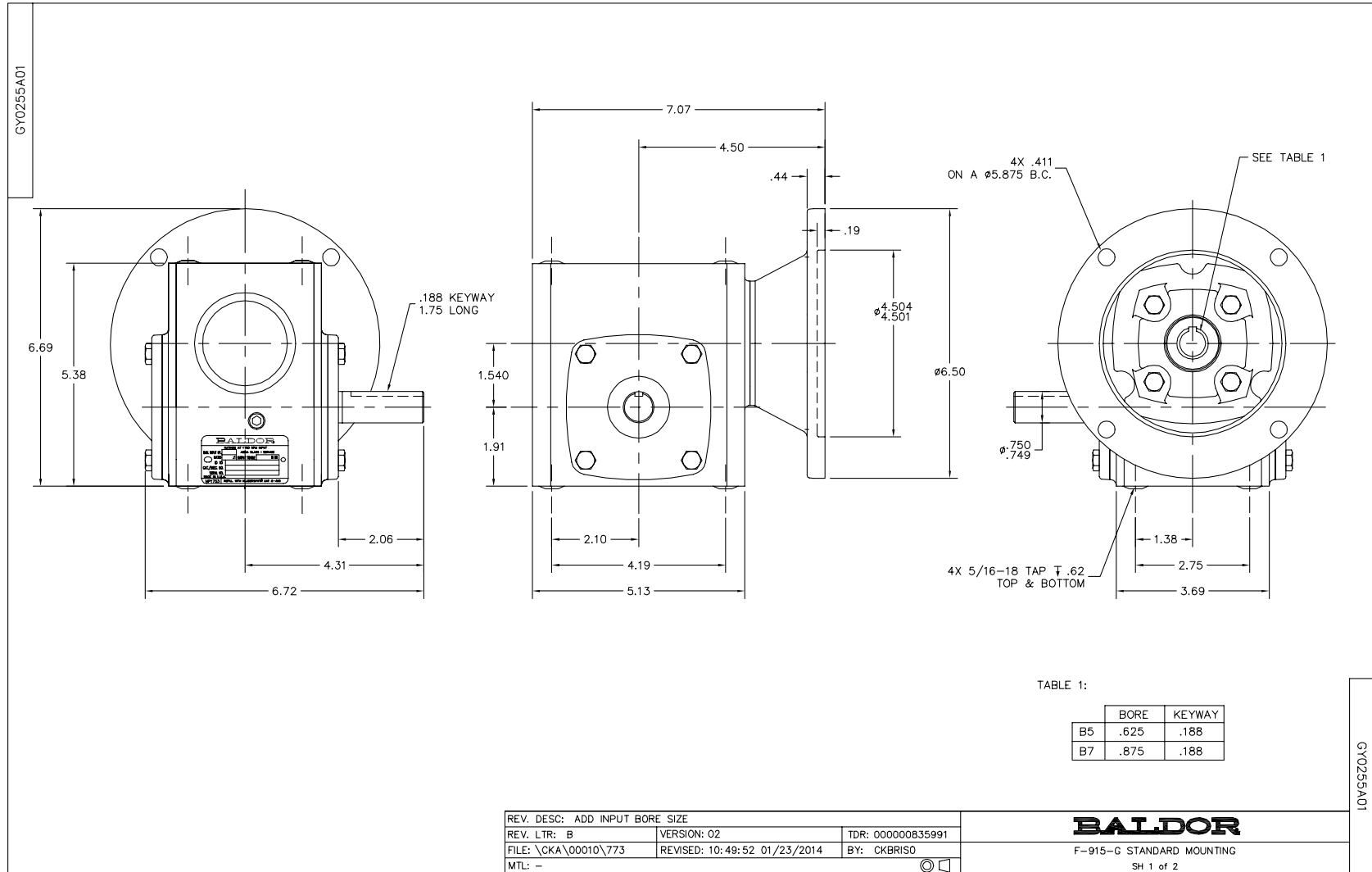
Nameplate NP1753L			
INPUT H.P.	.81		
RATIO	15		
		R TORQ-INLB	312
	F-915-15-B5-G		
CAT./SPEC	GF1515AG		GR0255C002
SERIAL NO.			

Parts List		
Part Number	Description	Quantity
HG0035A04	915 WORMGEAR HOUSING, SEALED	1.000 EA
133-18	1/4 NPTF-HX SOC PIPE PLG 3/4 TPR W/PATCH	1.000 EA
HW5000A94	N5000-206 RETAINER RING	2.000 EA
WM0043B17	915 MTZ WORM ASSY 15:1 RATIO 5/8 BORE	1.000 EA
BG6304A01	6304 OPEN,C3,SLUSH	1.000 EA
918-9SR	5160-75 RET RING 5160-75	1.000 EA
HA3555A04	EXPANSION PLUG 2.053/2.049 X 9/32	1.000 EA
HW4600G25	SEAL 35MM X 52MM X 8MM SGL LIP FT802	1.000 EA
GF0001A01	918-3F56 GEAR FLANGE MACHINING 1.75 CD N	1.000 EA
10XN3118K20	5/16-18 X 1 1/4 GRADE 5 STEEL ZC PLATED	4.000 EA
HW1001A31	LOCKWASHER 5/16, ZINC PLT.591 OD, .319 I	4.000 EA
BS0052A02	915 BEARING SUPPORT, OPEN, FOR 3.62 B.C.	1.000 EA
GS0062A01	WORMGEAR GASKET, .003 (GREEN), 2.75 ID X	1.000 EA
GS0062A02	125MGEAR GASKET, .005 (BLUE), 2.75 ID X	2.000 EA
GS0062A03	WORMGEAR GASKET, .010 (BROWN), 2.75 ID X	2.000 EA
HW4600G39	SEAL .750 X 1.499 X .25 DBL LIP FT802	1.000 EA
10XN3118K12	5/16-18 X .75 GRADE 5, ZINC PLATED	4.000 EA
SG0032B08	915 GEAR SHAFT ASSY 15:1, SGL O/P, W/COM	1.000 EA
BS0053A04	915 BEARING SUPPORT, CLOSED, FOR 3.62 B.	1.000 EA
GS0062A01	WORMGEAR GASKET, .003 (GREEN), 2.75 ID X	1.000 EA
GS0062A02	125MGEAR GASKET, .005 (BLUE), 2.75 ID X	2.000 EA
GS0062A03	WORMGEAR GASKET, .010 (BROWN), 2.75 ID X	2.000 EA
10XN3118K12	5/16-18 X .75 GRADE 5, ZINC PLATED	4.000 EA
MJ1000A90	KLUBERSYNTH UH1-6-460 WORMGEAR OIL	0.106 GA

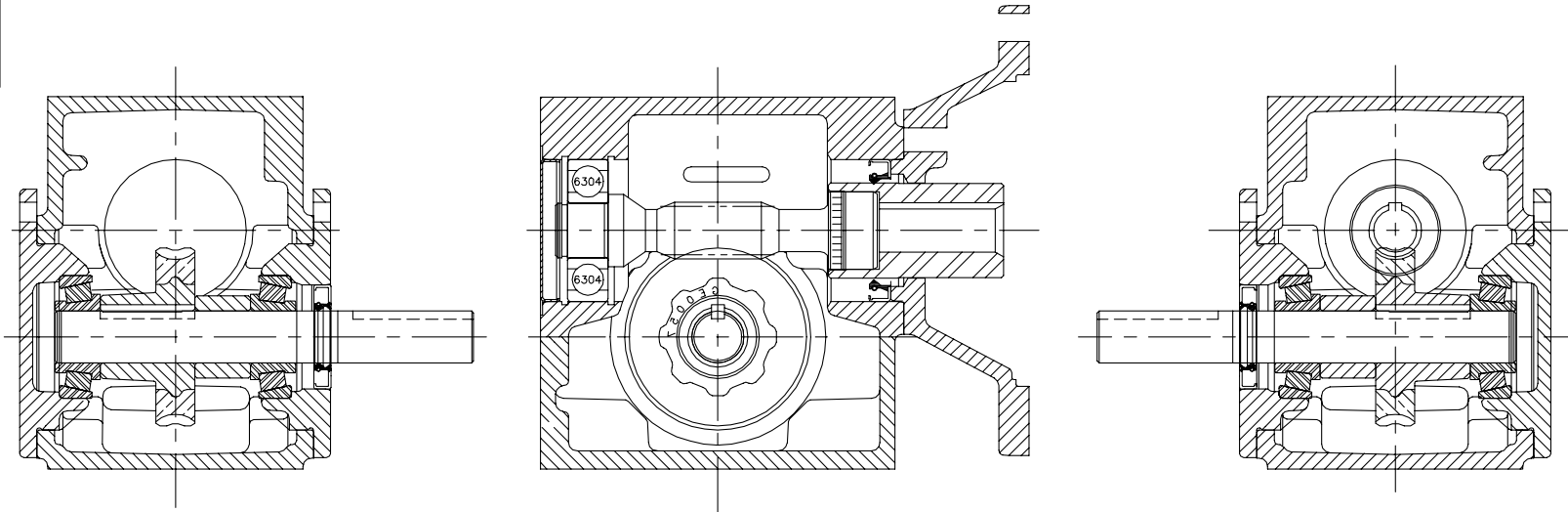
Parts List (continued)		
Part Number	Description	Quantity
MJ5019A01	ADHESIVE LOCTITE #680 WAS BAD4525	0.001 EA
MJ5004A35	ADHESIVE LOCTITE #243-31 50 ML	0.001 EA
MJ5001A19	LOCTITE #598 ULTRA BLACK, 50 LB PAIL, IT	0.010 LB
MG1000G27	S-9282E MED CHARCOAL METALLIC GREY	0.010 GA
LB5042	TOE TAG, OIL PREFILL KLUBERSYN (5000/bx)	1.000 EA
LT0066A08	REDUCER MAINT - KLUBE (1700/bx) 8/09	1.000 EA
NP1753L	RIVETED LASER NP, GEAR REDUCER, UH1 6-46	1.000 EA
LB1242	ADHESIVE PATCH 1.10 X 2.03 X .045 THICK	1.000 EA
MJ1000B01	ANTISEIZE - ALTEMP Q NB 50, 750 GRAM CAN	0.001 EA
HA3556A01	CAPPLUGS T-7X, ORM BORE PLUG 5/8 BORE	1.000 EA
35PA1000	PKG GRP, PRINT PK1008A06	1.000 EA
HW2513A05	KEY .188 X 1.250 1018 STEEL	1.000 EA
HW0003D05	USER H/W PKG - 3/8 BOLT, WASHER & 5/16 P	1.000 EA

Accessories		
Part Number	Description	Multiplier
B15H71	BASE-HORIZONTAL POS. A/B 915	A8
B18V81	BASE-VERTICAL LOW POS. D/F 915/918	A8
B18V91	BASE-VERTICAL HIGH POS. C/E 915/918	A8
B18J92	BASE-INPUT VERTICAL POS. X/Y 915/918	A8
FL15HK	OUTPUT FLANGE KIT, STAMP STEEL 915	A8
RBK15B5	RISER BLOCK KIT 56C/140TC 915	A8

No performance data has been
assigned to this product.



GY0255A01



GY0255A01

REV. DESC: ADD INPUT BORE SIZE		
REV. LTR: B	VERSION: 02	TDR: 000000835991
FILE: \CKA\00010\773	REVISED: 10:49:52 01/23/2014	BY: CKBRISO
MTL: -		☐

BALDOR
F-915-G STANDARD MOUNTING
SH 2 of 2