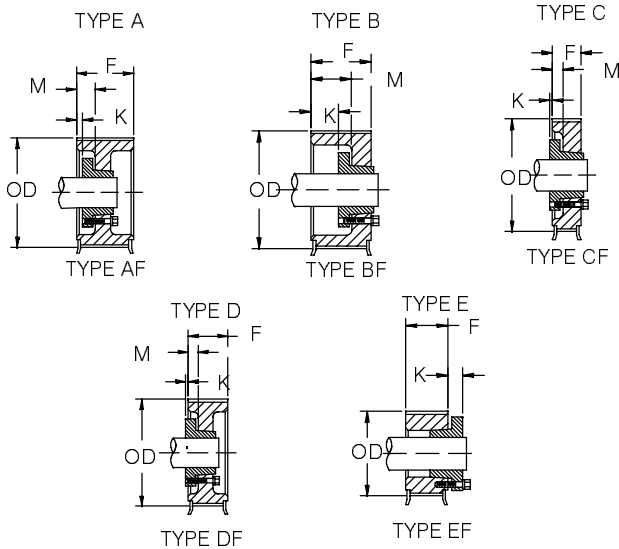


SPECIFICATION

QD HTD Sprockets



The figure following the sketch reference letter in the "Type" column indicates the construction of the sprocket (1 = Solid, 2 = Web, and 3 = Arms), and the letter "F" indicates that the sprocket has flanges.

8 MM QD HTD SPROCKETS

SPROCKET NUMBER	PART-NO.	NO. OF-TEETH	DIAMETERS (INCHES)			TYPE	DIMENSIONS (INCHES)		BORE SIZES		Approx. Weight (Lbs.)	Approx. WR ^2 (Lb-Ft^2)
			PITCH	O.D.	FLANGE		M	K	MIN.	MAX.		
8M-50			F = 2.38"									
P28-8M-50-JA	110738	28	2.807	2.759	3.207	A1F	0.81	0.30	1/2	1-1/4	1.7	0.0172
P30-8M-50-JA	110739	30	3.008	2.958	3.408	A1F	0.81	0.30	1/2	1-1/4	1.9	0.0172
P32-8M-50-H	110742	32	3.208	3.156	3.608	A1F	0.81	0.30	3/8	1-1/2	2.1	0.0214
P34-8M-50-SH	110743	34	3.409	3.355	3.810	D1F	0.50	0.18	1/2	1-11/16	2.2	0.0263
P36-8M-50-SH	110744	36	3.609	3.555	4.009	D1F	0.50	0.18	1/2	1-11/16	2.8	0.0367
P38-8M-50-SH	110745	38	3.810	3.756	4.210	D1F	0.50	0.18	1/2	1-11/16	3.1	0.0462
P40-8M-50-SH	110746	40	4.010	3.956	4.410	D1F	0.50	0.18	1/2	1-11/16	3.9	0.0632
P44-8M-50-SD	110747	44	4.411	4.357	4.764	D1F	0.56	1.74	1/2	2	5.5	0.1068
P48-8M-50-SD	110748	48	4.812	4.758	5.212	D1F	0.56	1.74	1/2	2	7.2	0.1644
P56-8M-50-SK	110749	56	5.614	5.560	6.014	D1F	0.56	0.33	1/2	2-15/16	11	0.3314
P64-8M-50-SK	110750	64	6.416	6.362	6.716	D1F	0.56	0.33	1/2	2-15/16	10	0.4400
P72-8M-50-SK	110751	72	7.218	7.164	7.500	D1F	0.56	0.33	1/2	2-15/16	16	0.8488
P80-8M-50-SF	110752	80	8.020	7.966	8.420	D1F	0.56	0.38	1/2	2-15/16	20	1.335
P90-8M-50-SF	110753	90	9.023	8.969	...	D1	0.56	0.38	1/2	2-15/16	25	2.102
P112-8M-50-SF	110754	112	11.229	11.175	...	D2	0.75	0.19	1/2	2-15/16	32	4.152
P144-8M-50-E	110755	144	14.437	14.383	...	D3	0.38	0.82	7/8	3-1/2	45	9.391
P192-8M-50-E	110756	192	19.249	19.195	...	D3	0.38	0.82	7/8	3-1/2	65	20.42
8M-85			F = 3.75"									
P34-8M-85-SH	110760	34	3.409	3.355	3.810	A1F	1.50	0.82	1/2	1-11/16	3.1	0.0376
P36-8M-85-SH	110761	36	3.609	3.555	4.009	A1F	1.50	0.82	1/2	1-11/16	3.9	0.0535
P38-8M-85-SH	110762	38	3.810	3.756	4.210	A1F	1.50	0.82	1/2	1-11/16	4.4	0.0671
P40-8M-85-SD	110763	40	4.010	3.956	4.410	A1F	1.25	0.55	1/2	2	4.9	0.0836
P44-8M-85-SD	110764	44	4.411	4.357	4.764	A1F	1.25	0.55	1/2	2	7.8	0.1589
P48-8M-85-SD	110765	48	4.812	4.758	5.212	A1F	1.25	0.55	1/2	2	11	0.2496
P56-8M-85-SK	110766	56	5.614	5.560	6.014	A1F	1.25	0.36	1/2	2-5/8	12	0.4191
P64-8M-85-SK	110767	64	6.42	6.362	6.716	A1F	1.25	0.36	1/2	2-5/8	17	0.7664
P72-8M-85-SF	110768	72	7.218	7.164	7.500	A1F	1.25	0.31	1/2	2-15/16	19	1.114
P80-8M-85-SF	110769	80	8.020	7.966	8.420	A1F	1.25	0.31	1/2	2-15/16	29	1.982
P90-8M-85-SF	110770	90	9.023	8.969	...	A1	1.25	0.31	1/2	2-15/16	26	2.253
P112-8M-85-SF	110771	112	11.229	11.175	...	A2	1.25	0.31	1/2	2-15/16	38	5.286
P144-8M-85-E	110772	144	14.437	14.383	...	D3	1.06	0.14	7/8	3-1/2	61	14.031
P192-8M-85-E	110773	192	19.249	19.195	...	D3	1.06	0.14	7/8	3-1/2	76	26.80

* See page PT11-9 for MPB and finish bore sprockets.

FEATURES/BENEFITS PAGES PT11-2-PT11-3	SPECIFICATIONS: BELTS PAGES PT11-18-PT11-19	SELECTION PAGES PT11-20-PT11-69	ENGINEERING/TECHNICAL PAGES PT11-70-PT11-73
--	--	------------------------------------	--