



4675 W. 160th St.
Cleveland, Ohio 44135
Ph: (800) 321-9532
Fax: (800) 321-9535
www.dearbornbrass.com

SUBMITTAL SPECIFICATION

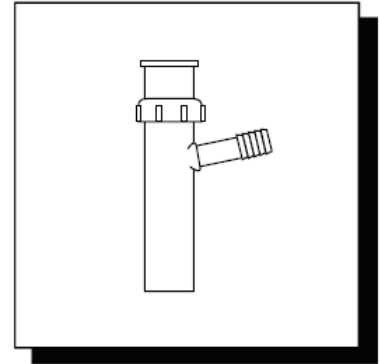
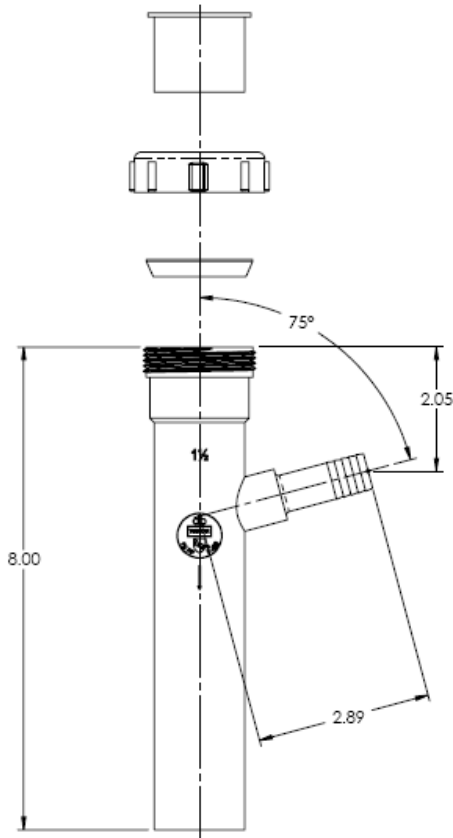
PLASTIC TUBULAR BRANCH TAILPIECE – HI-LINE/SLIP JOINT COMBINATION

Engineering Specification: Dearborn Brass Plastic Tubular Branch Tailpiece with Hi-Line/Slip Joint Combination is designed for use in tubular drain applications. Options include 1/2" or 3/4" Branch.

Job Reference

DESCRIPTION

- Made of white polypropylene plastic
- Plastic Tubular Branch Tailpiece
 - Branch Tailpiece
 - Hi-Line Nipple
 - (2) Slip Nut
 - (1) Washer
- Can be used with Hi-Line or Slip Joint Connection



- Meets ASTM F 409
- IAPMO Listed



✓	Product No.	Description	Carton Quantity	Carton Weight (lbs)
	PP9816BD	1-1/2" x 8" Branch Tailpiece, Hi-Line/Slip Joint Combination with 1/2" Branch – White	25	5.7
	PP9817BD	1-1/2" x 8" Branch Tailpiece, Hi-Line/Slip Joint Combination with 3/4" Branch – White	25	5.0

Data is subject to manufacturing tolerances.