

## NORMAL OPERATION/MANUAL TEST

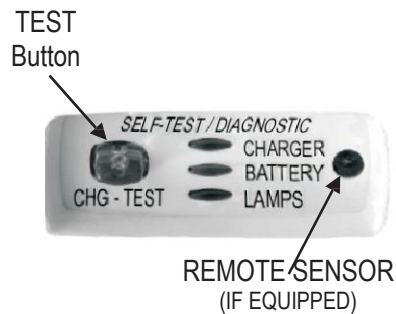
### OP-PANEL INDICATORS/OPERATION:

- GREEN - Status: Solid indicates system normal and AC power is on.  
NOTE: To start the Manual test, simply press the Green Indicator (button) as indicated below. To Reset/Cancel a test press the Green Indicator (button) once during any test. When Unit is in test mode the Green Indicator LED is flashing.
- 1 Press: perform a 5-sec brief lamp test, all Lamps operating from battery only.
- 2 Presses: perform a 1-min diagnostic test, all Lamps operating from battery only.
- 3 Presses: perform a 90-min diagnostic test, all Lamps operating from battery only.
- 6-sec Continuous Press: perform a RESET operation.
- CONTINUOUS MONITORING: The system monitors the following continuously:  
Battery, 2) Lamps, 3) Charger, 4) Transfer function.
- The battery requires at least 72 hours of charge time to perform any extended diagnostic test. If the battery has not charged for 72 hours after installation and a diagnostic test is requested, the charger light will come on and stay on for one minute indicating that the battery is not fully charged for attempted test. (The 5-sec brief lamp test is always allowed.)

### OPTIONAL FACTORY EQUIPPED ITEMS:

- REMOTE: Unit will be supplied with pigtail connector cable required to control and operate a remote of up to rated MAX. wattage.
- TIME DELAY (TD): After a power failure and power is restored, the lamps will remain lit for a 15-min period (provided battery capacity remains).  
Note: The Green power indicator LED will flash slowly during the 15-min. period.
- LASER TEST (LX): To operate using a laser pen: use laser pen and point the laser beam over the remote sensor (see below), thereby duplicating the manual button (1,2,3) pushes. The laser must impact the remote sensor for at least 0.2 seconds to be recognized.
- LESS SELF-TEST (LS): Monthly automatic self-tests will not be performed. (Lamps will not energize on an automatic monthly schedule.)

## TROUBLE INDICATORS/TROUBLESHOOTING

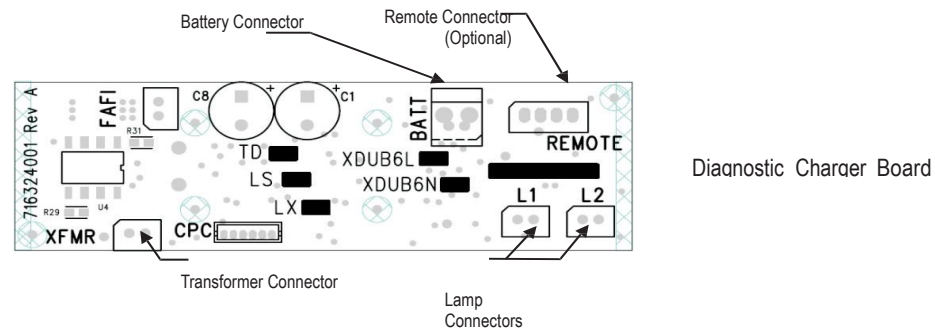


### Xtest DISPLAY PANEL INDICATOR:

- GREEN - Status: solid indicates system normal and AC power is on and flashes during any manual/auto test cycle.
- RED - CHARGER FLASHING: a charger failure requires the diagnostic charger board to be replaced.
- RED - BATTERY FLASHING: battery is disconnected or if it is connected, a replacement is needed. RED - LAMP FLASHING: Lamp(s) is disconnected or if it is connected, a replacement is needed. (If 4-pin remote pigtail is connected to diagnostic charger board and no remote lamp is attached, the LAMPS indicator will flash. Connect a remote lamp or disconnect remote pigtail.)
- ALL 3 RED FLASHING: bad transfer; battery and lamps are disconnected or if they are connected a replacement diagnostic charger board is needed.

## WIRING INFORMATION

Transformer Inputs  
BLACK - 120V  
WHITE - Common or Neutral  
RED - 277V



**PHILIPS**  
**CHLORIDE**

Philips Lighting North America Corporation  
200 Franklin Square Drive  
Somerset, NJ 08873, USA  
Phone: 855-486-2216  
[www.philips.com/luminaires](http://www.philips.com/luminaires)

Philips Lighting Canada Ltd.  
281 Markham Road,  
Markham, ON, Canada L6C 2S3  
Phone: 800-668-9008  
[www.philips.com/luminaires](http://www.philips.com/luminaires)

717054102  
CMANU0552A  
February 2016

**PHILIPS**

**CHLORIDE**

Emergency Lighting  
COMPAC Thermoplastic Unit Equipment

**CAX/CTX Series**  
INSTRUCTION SHEET



No Rigid Conduit



Flexible Conduit Only

## IMPORTANT SAFEGUARDS READ AND FOLLOW ALL SAFETY INSTRUCTIONS

**WARNING:** Electrical Shock Potential!! Do not attempt to install, maintain or relamp without disconnecting all power. Failure to disconnect power can result in electrocution, shock, or severe burns.

**CAUTION:** This fixture is designed for permanent installation in ordinary (NON-HAZARDOUS) locations in accordance with the National Electrical Code and all applicable local codes. Do not use in areas of limited ventilation or in high ambient enclosures. The lamp and fixture operate at high temperatures; contact with combustible material can cause fire and personal contact can cause severe burns. When using electrical equipment, basic safety precautions should always be followed; including the following:

## READ AND FOLLOW ALL SAFETY INSTRUCTIONS.

- Do not use outdoors.
- Do not let power supply cords touch hot surfaces.
- Do not mount near gas or electric heaters.
- Use caution when servicing batteries. Battery acid can cause burns to skin and eyes. If acid is spilled on skin or in eyes, flush acid with fresh water and contact a physician immediately.
- Equipment should be mounted in locations and at heights where it will not readily be subjected to tampering by unauthorized personnel.
- The use of accessory equipment not recommended by the manufacturer may cause an unsafe condition.
- CAUTION: Halogen cycle lamp(s) are used in this equipment. To avoid shattering: Do not operate lamp in excess of rated voltage, protect lamp against abrasion and scratches and against liquids when lamp is operating, dispose of lamp with care.
- Halogen cycle lamps operate at high temperatures. Do not store or place flammable materials near lamp.
- Do not use this equipment for other than intended use.
- Servicing of this equipment should be performed by qualified personnel only.

**SAVE THESE INSTRUCTIONS**

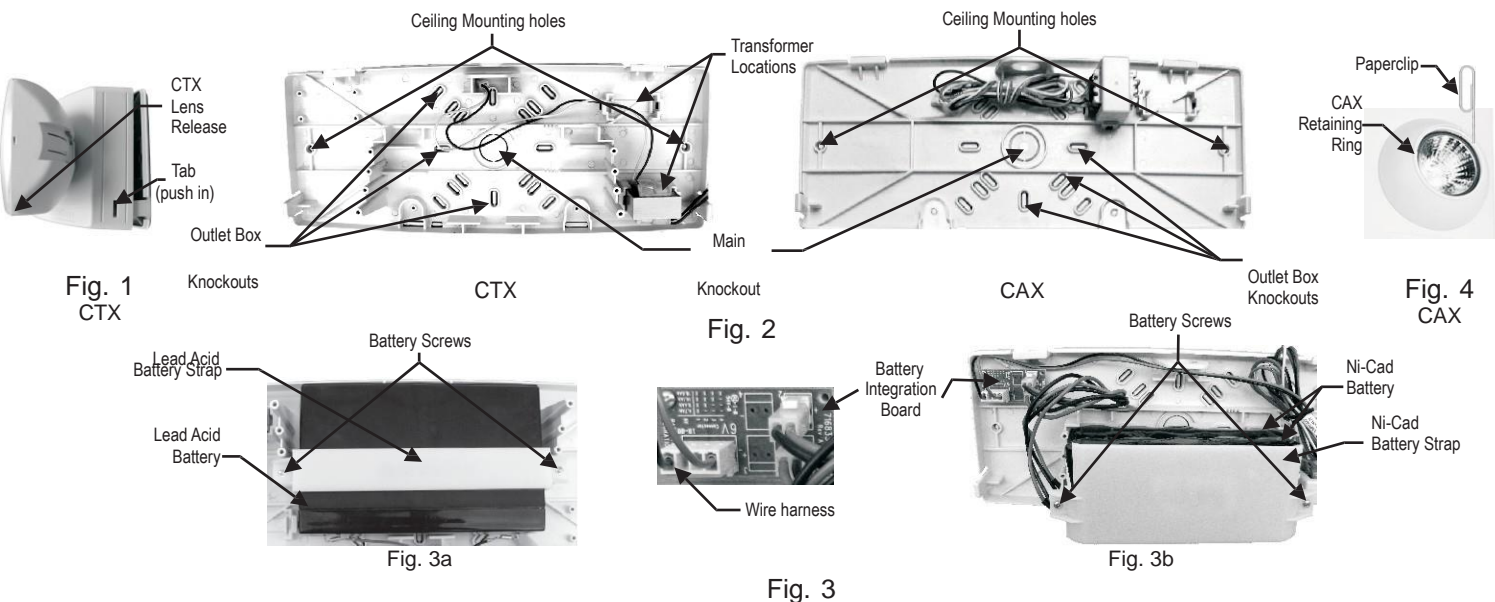
# INSTALLATION

## INSTRUCTIONS WALL (BACK) MOUNT

- Open front cover using a flat-head screwdriver by pressing the tab on the side of the unit in to release; see Fig. 1.
- Remove main knockout hole in back housing and appropriate outlet box pattern knockout; see Fig. 2 - if needed, loosen screws holding battery in place (see Fig. 3) and remove battery.
- Route AC service wires through main knockout hole in back housing. Mount back housing to outlet box using screws. See Fig. 2.
- Make AC service connection at this time. See OPERATING INSTRUCTIONS below.
- Replace the cover and snap tabs into place; see Fig. 1.

## INSTRUCTIONS CEILING MOUNT

- Open front cover using a flat-head screwdriver by pressing the tab on the side of the unit in to release; see Fig. 1.
- Remove main knockout hole in back housing and appropriate ceiling mounting knockouts; see Fig. 2 - if needed, loosen screws holding battery in place (see Fig. 3) and remove battery..
- Route AC service wires through main knockout hole in back housing. Mount back housing to ceiling/surface box using screws. See Fig. 2.
- CAUTION: (2) Screws must be used to mount the back-plate to the ceiling surface with suitable hardware to prevent sag and/or the unit falling.
- Make AC service connection at this time. See OPERATING INSTRUCTIONS below.
- Replace the cover and snap tabs into place; see Fig. 1.



## OPERATING INSTRUCTIONS

1. Connect AC supply wires to transformer leads and push through knockout into outlet or ceiling/surface box. Observe the wire colors.  
 BLACK wire 120 volt AC input.  
 WHITE wire common or neutral for 120 or 277 volts AC input. RED wire 277 volt AC input.  
 CAUTION: CAP ALL UNUSED BLACK OR RED WIRES TO PREVENT SHORTING OR ELECTRICAL SHOCK.  
 Note: when all wiring connections are made, push wires thru knockout into outlet box.
2. Battery Connections:
  - Lead Acid
    - a. If needed, Place battery into back housing, secure using strap and (2) screws; See Fig. 3a.
    - b. Connect the red and black wire with the 2-pin connector from battery to the BATT location on the diagnostic charger board inside front cover. (See WIRING INFORMATION on back page)
  - Ni-Cad
    - a. If needed, Place battery into back housing, secure using strap and (2) screws; See Fig. 3b.
    - Note: If there is only one Ni-Cad battery pack, connect the red and black wire with the 2-pin connector from battery to the BATT location on the diagnostic charger board inside front cover. Continue to step 3.
    - b. Connect the red and black wires with the 2-pin connectors from batteries into the battery integration board 2-pin connectors.
    - c. Connect the red and black wire harness from battery integration board to the BATT location on the diagnostic charger board inside front cover.
3. Connect the red and white wire with the 2-pin connector from transformer to XFMR connector on the diagnostic charger board on inside of front cover.
4. Energize AC power to equipment and check the unit using the POWER-UP SEQUENCE (see next page). Leave AC connected for a minimum of 72 hours to charge battery before performing normal operation/manual tests.

# INSTALLATION CONTINUED

## INSTRUCTIONS LAMP REPLACEMENT - Disconnect power before re-lamping.

- CTX -Open lens using a small flat-head screwdriver by gently releasing the tab on the corner of the lamp head; see Fig. 1. Replace lamp, snap cover back into place.
- CAX-Open front cover (see instructions above), disconnect lamp from the diagnostic charger board. Using an opened paper clip, release the lamp retaining ring; see Fig. 4. Replace with new lamp. Reinstall retaining ring and connect new lamp to diagnostic charger board. Snap cover back into place.

## REMOTE LAMP HEAD HOOKUP INSTRUCTIONS (If remote capability is available)

NOTE: Observe output rating and do not exceed maximum load combining all lamp connections.

1. The Maximum total watts on L1 or L2 must not exceed replacement lamp wattage listed on Nameplate for all CAX/CTX units.
2. The remote lamp connection (REMOTE) may not exceed the output rated maximum minus the output on L1 & L2.
3. Do not short the lamp leads to ground.

Failure to properly follow conditions stated above may result in damage to the unit and void the unit's warranty.

## NORMAL POWER-UP SEQUENCE

