



2100 South Clearwater Drive  
Des Plaines, IL 60018  
Phone: 847-803-5000  
Fax: 847-803-5454  
www.chicagofaucets.com

# ROUGH-IN

FITTING NO.

GN8AE3JKABCP

SUBMITTED MODEL NO.

**FOR TECHNICAL ASSISTANCE**  
1-800-TEC-TRUE (1-800-832-8783)

BY: JAR    DATE: 05-23-13  
CHK: *JAR*    REV:

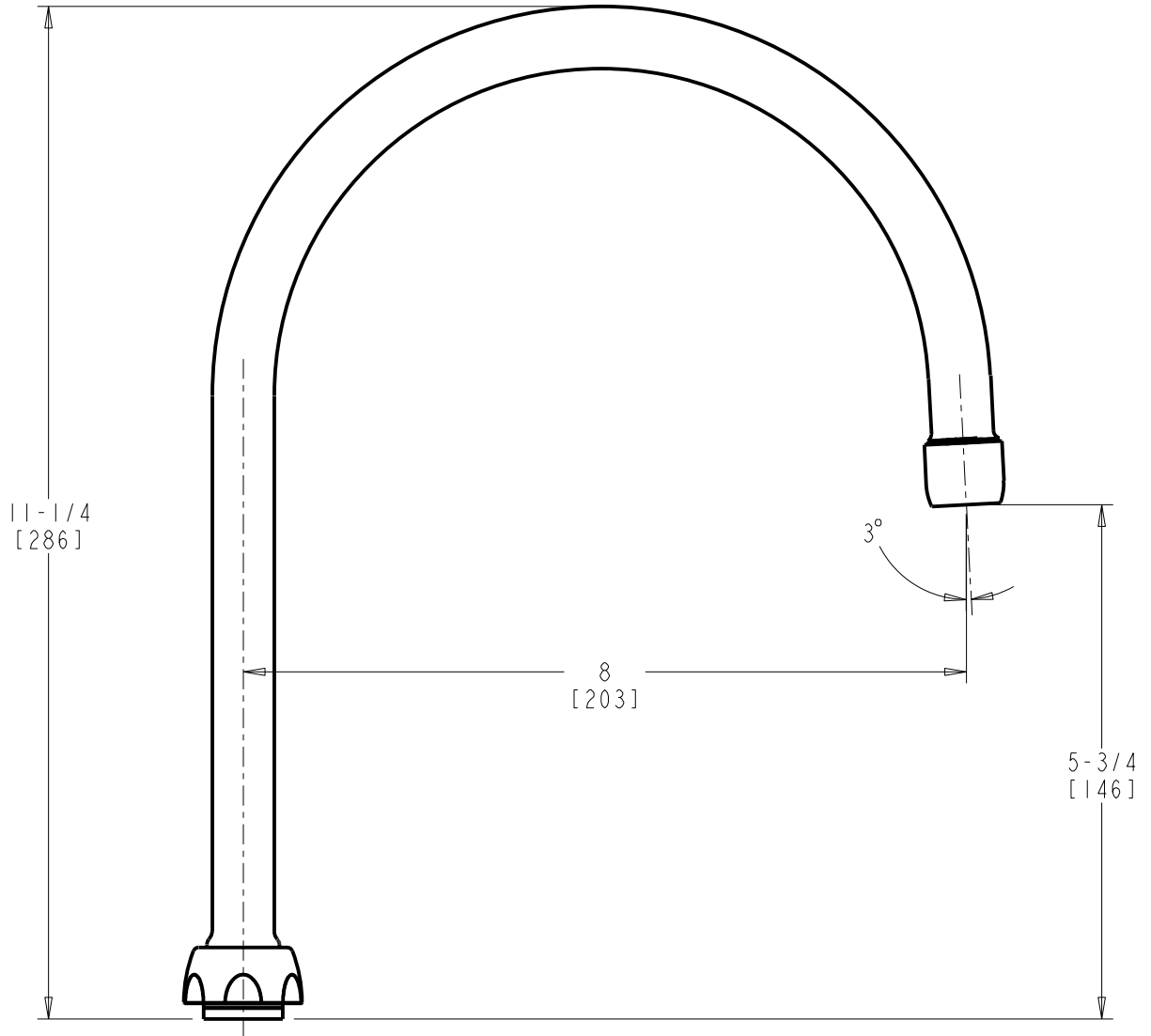
SUBMITTED AS SHOWN

SUBMITTED AS NOTED

SEE ATTACHED FOR  
SUBMITTED MODIFICATION

JOB NAME

ITEM NO.



DIMENSIONS ARE IN INCHES AND [MILLIMETERS].

**TECHNICAL DATA**

- RIGID/SWING GOOSENECK SPOUT WITH AERATOR  
- FINISH: CHROME PLATE

- E3 SOFTFLO AERATOR OUTLET  
- 2.2 GPM [8.3 L/min.] MAXIMUM FLOW RATE

ROUGHING IN DIMENSIONS MAY VARY AND ARE SUBJECT TO CHANGE. NO RESPONSIBILITY IS ASSUMED FOR USE OF SUPERCEDED OR VOIDED DATA.