

CHICAGO FAUCETS

Last As Long As The Building

2100 SOUTH CLEARWATER DRIVE
DES PLAINES, ILLINOIS 60018-5999

FITTING NO.

E2805

SUBMITTED MODEL NO.

JOB NAME

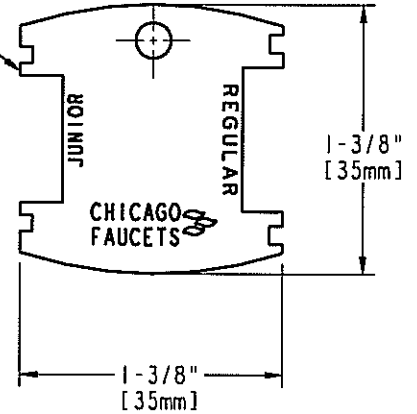
ITEM NO.

SUBMITTED AS SHOWN

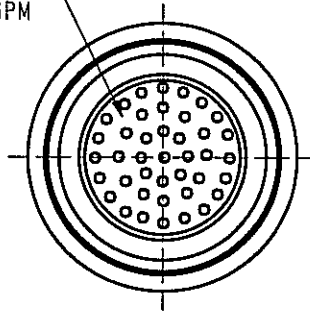
SUBMITTED AS NOTED

SEE ATTACHED FOR
SUBMITTED MODIFICATION

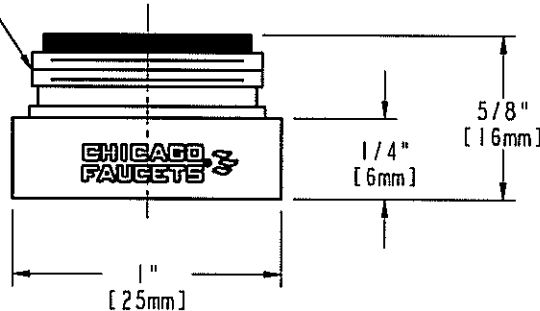
3-024 VANDAL
OUTLET KEY



WHITE/GREEN INSERT
INDICATES 0.5 GPM



13/16-27 MALE THREAD



DIMENSIONS IN INCHES AND [MILLIMETERS].

TECHNICAL DATA

- 0.5 GPM VANDAL RESISTANT SPRAY OUTLET
- MEETS ASME A112.18.1M AND CSA STANDARDS
- POLISHED CHROME FINISH
- INCLUDES REQUIRED VANDAL OUTLET KEY

DATE: 05-06-03

BY: SID

CHK'D: *[Signature]*

APP'D:

REV: A

E2805

ROUGHING IN DIMENSIONS MAY VARY AND ARE SUBJECT TO CHANGE. NO RESPONSIBILITY IS ASSUMED FOR USE OF SUPERCEDED OR VOIDED DATA.