

ROUGHING IN DIMENSIONS MAY VARY AND ARE SUBJECT TO CHANGE. NO RESPONSIBILITY IS ASSUMED FOR USE OF SUPERCEDED OR VOIDED DATA. (0192-1)

**CHICAGO.
FAUCETS**

2100 SOUTH CLEARWATER DRIVE
DES PLAINES, ILLINOIS 60018-5999

FITTING NO.

E12

SUBMITTED MODEL NO.

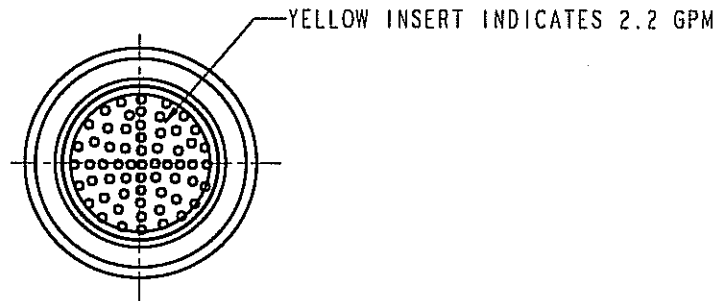
JOB NAME

ITEM NO.

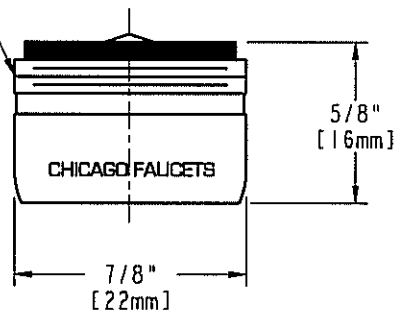
SUBMITTED AS SHOWN

SUBMITTED AS NOTED

SEE ATTACHED FOR
SUBMITTED MODIFICATION



13/16-27 MALE TREAD



DIMENSIONS IN INCHES AND [MILLIMETERS].

TECHNICAL DATA

- 2.2 GPM AERATOR
- MEETS ASME A112.18.1M AND CSA STANDARDS
- POLISHED CHROME FINISH

DATE: 10-16-01

BY: SID

CHK'D: *ST*

APP'D: *EW*

REV:

E12