



a Geberit company

2100 South Clearwater Drive
Des Plaines, IL 60018
Phone: 847-803-5000
Fax: 847-803-5454
www.chicagofaucets.com

FOR TECHNICAL ASSISTANCE
1-800-TEC-TRUE (1-800-832-8783)

REPAIR PARTS

BY: JAR DATE: 07-18-14

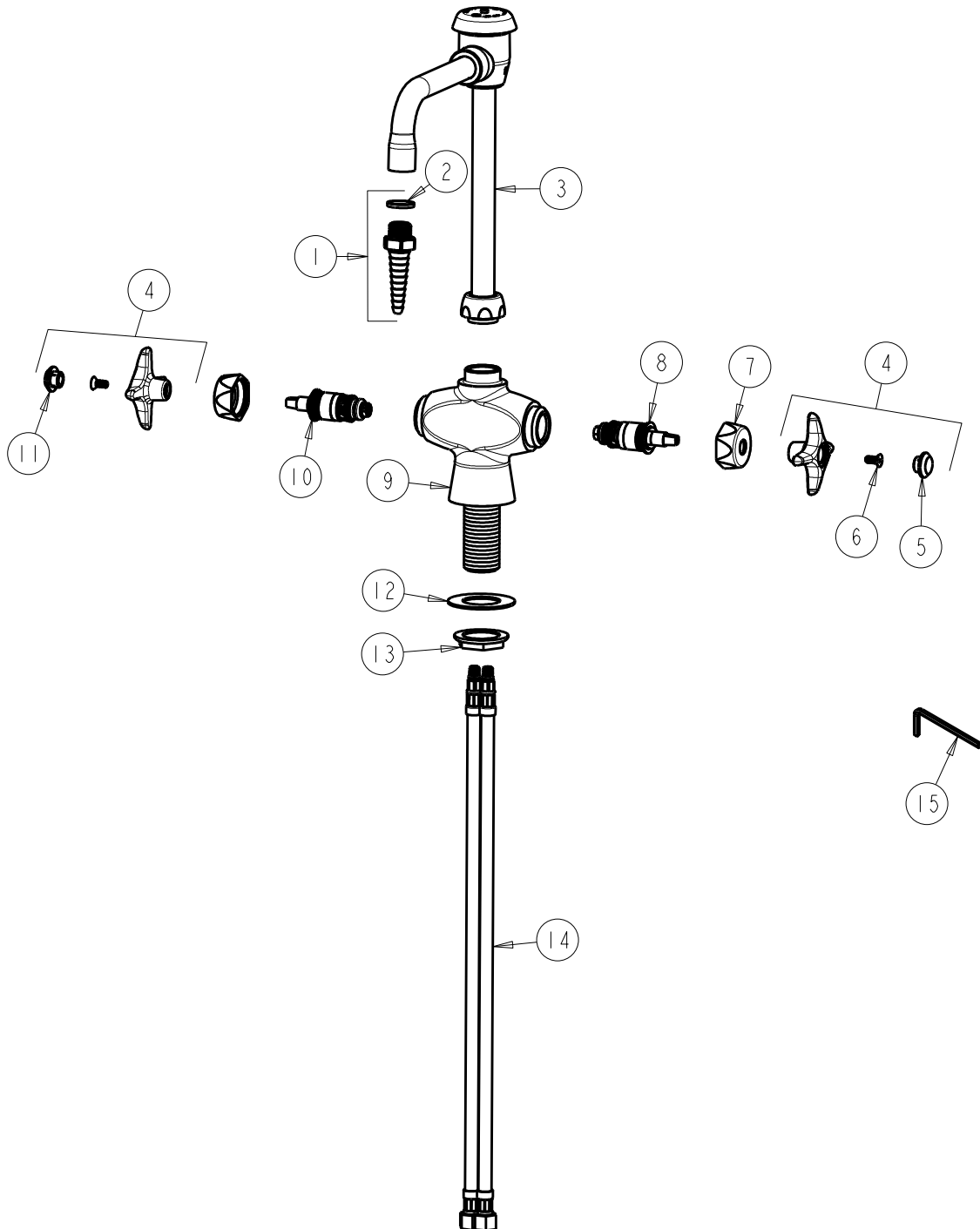
CHK: *[Signature]* REV:

FITTING NO.

930-CP

SUBMITTED MODEL NO.

ITEM NO.



ITEM	PART NO.	DESCRIPTION	ITEM	PART NO.	DESCRIPTION
1	E7JKCP	SERRATED HOSE NOZZLE	9	-----	VALVE BODY (NOT SOLD SEPARATELY)
2	229-003JKABNF	WASHER	10	217-XTLHJKABNF	CARTRIDGE, SLO-COMPRESSION (LH)
3	GN2BVBKABCP	SPOUT, VACUUM BREAKER	11	216-128JKNF	BUTTON 'HW'
4	204-PRJKCP	HANDLE, 4 ARM	12	50-014JKNF	STEEL WASHER
5	216-178JKNF	BUTTON 'CW'	13	50-003JKRBF	LOCKNUT
6	420-020JKNF	SCREW, 1/8 FLAT HEX HEAD X 1/2	14	250-025KJKABNF	HOSE, SS BRAIDED 5/16-24 X 3/8
7	444-005JKCP	CAP	15	420-022JKNF	VP WRENCH, 1/8 HEX
8	217-XTRHJKABNF	CARTRIDGE, SLO-COMPRESSION (RH)			