



a Geberit company

2100 South Clearwater Drive
Des Plaines, IL 60018
Phone: 847-803-5000
Fax: 847-803-5454
www.chicagofaucets.com

REPAIR PARTS

BY: JAR DATE: 10-27-11

CHK: *[Signature]* REV: 08-27-14

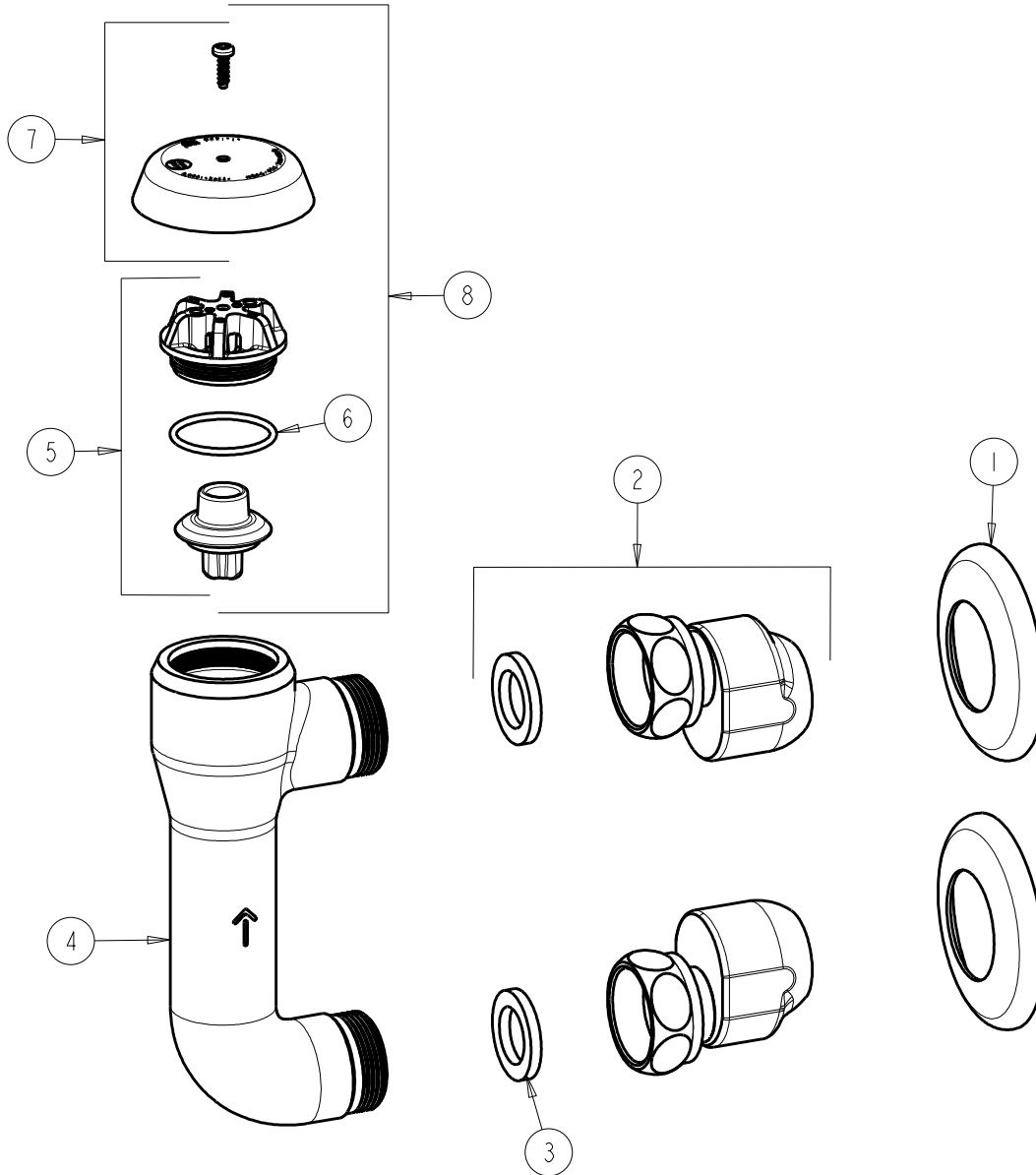
FITTING NO.

892-GABCP

SUBMITTED MODEL NO.

ITEM NO.

FOR TECHNICAL ASSISTANCE
1-800-TEC-TRUE (1-800-832-8783)



ITEM	PART NO.	DESCRIPTION	ITEM	PART NO.	DESCRIPTION
1	1-055JKCP	FLANGE	5	892-302KJKABNF	VACUUM BREAKER REPAIR KIT
2	GJKABCP	ARM ASSEMBLY w/WASHER	6	80-007JKABNF	O RING 0.989 X .070
3	1-011JKABNF	WASHER, .97 X .62 X .12	7	892-254KJKCP	KIT, VB COVER w/ SCREW
4	-----	ELEVATED VB BODY	8	892-402KJKABNF	KIT, VACUUM BREAKER ASSEMBLY