



a Geberit company

2100 South Clearwater Drive  
Des Plaines, IL 60018  
Phone: 847-803-5000  
Fax: 847-803-5454  
www.chicagofaucets.com

**FOR TECHNICAL ASSISTANCE**  
1-800-TEC-TRUE (1-800-832-8783)

# REPAIR PARTS

BY: JAR DATE: 06-11-14

CHK: *JAR* REV:

FITTING NO.

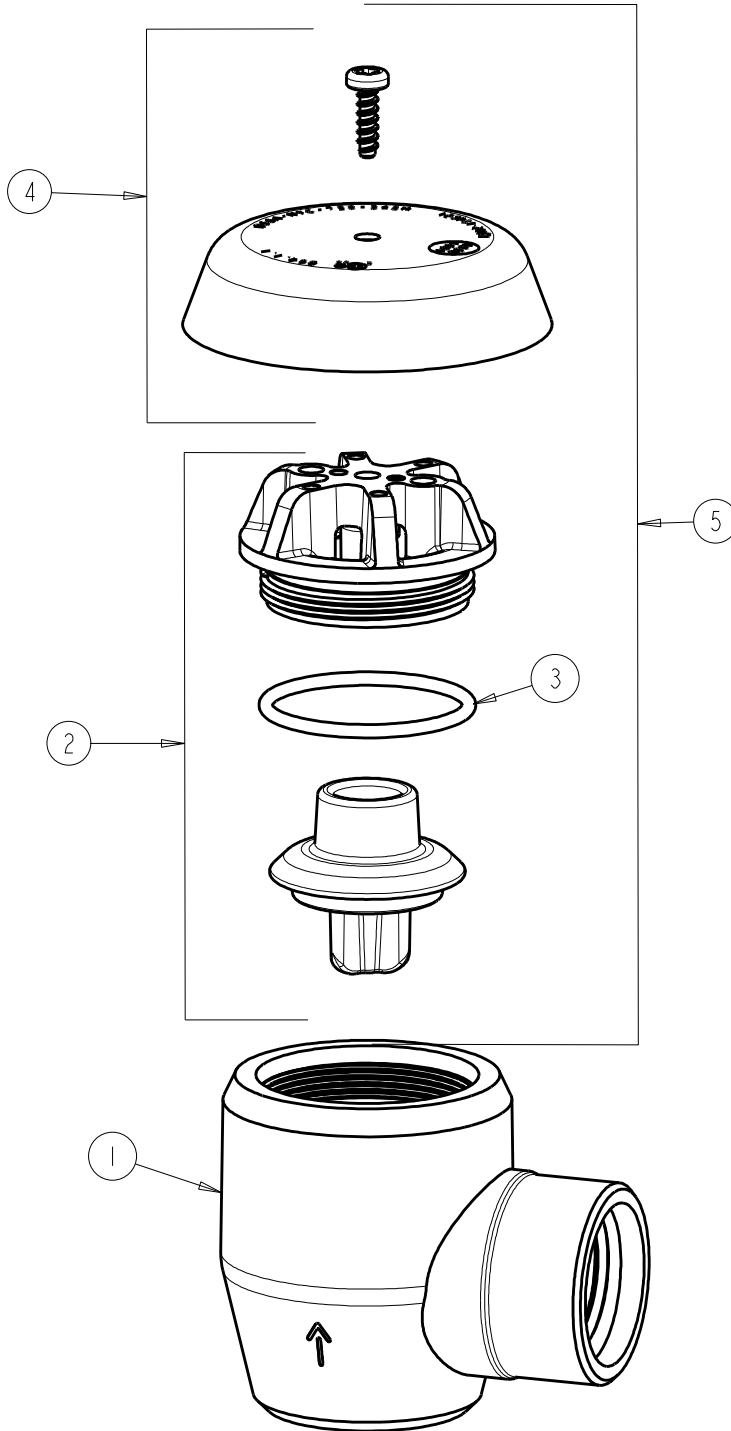
**SEE SCHEDULE**

SUBMITTED MODEL NO.

ITEM NO.

## SCHEDULE

FITTING NO.	SIZE
893-ABCP	3/8 NPT
892-ABCP	1/2 NPT
892-ABRCF	1/2 NPT



ITEM	PART NO.	DESCRIPTION
1	-----	BODY (NOT SOLD SEPARATELY)
2	892-302KJKABNF	VACUUM BREAKER REPAIR KIT
3	80-007JKABNF	O RING 0.989 X .070
4	892-254KJKCP	VACUUM BREAKER COVER w/ SCREW
5	892-402KJKABNF	KIT, VACUUM BREAKER ASSEMBLY