

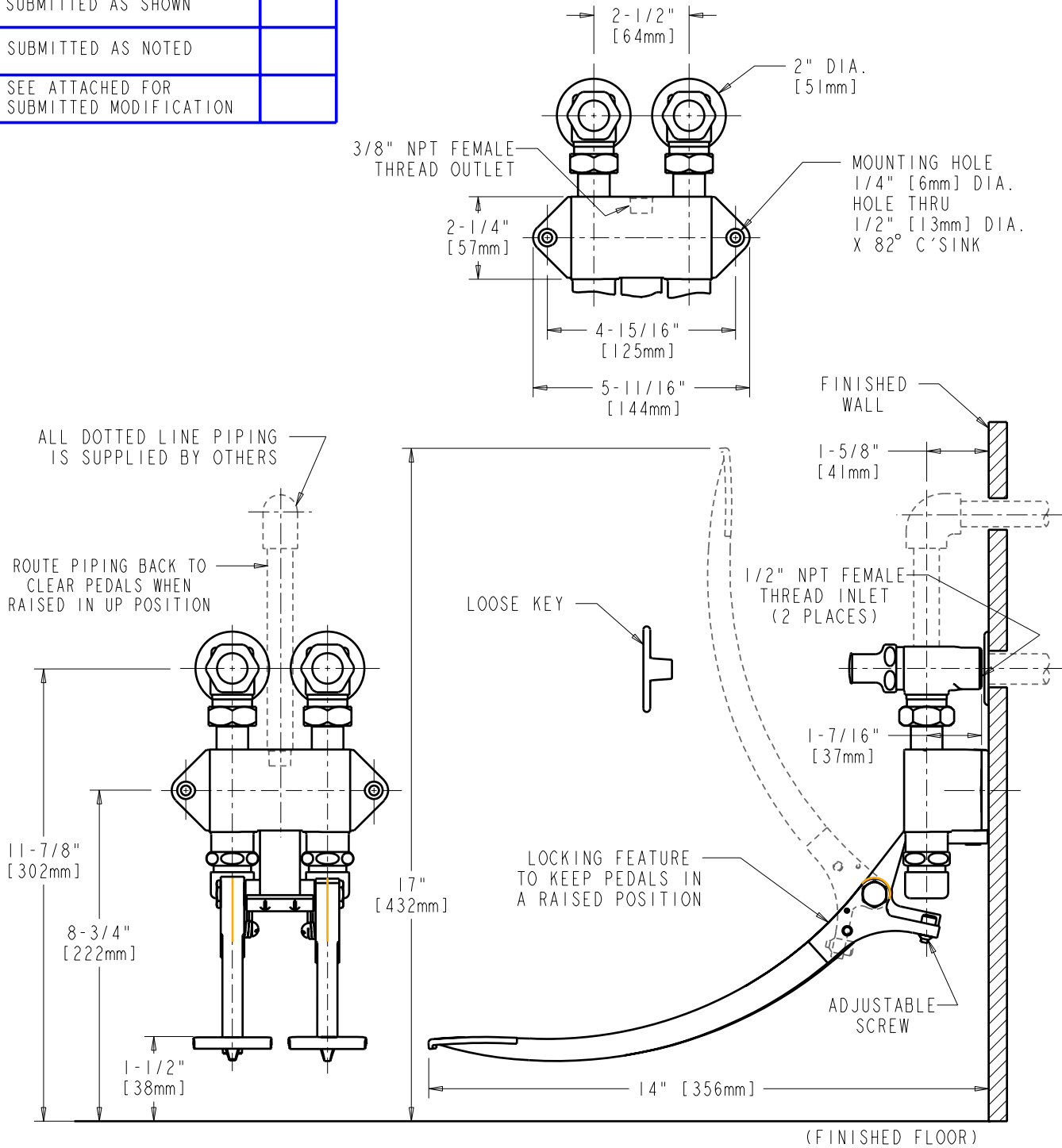
JOB NAME

ITEM NO.

SUBMITTED AS SHOWN

SUBMITTED AS NOTED

SEE ATTACHED FOR
SUBMITTED MODIFICATION



TECHNICAL DATA

- WALL MOUNTED COMBINATION PEDAL VALVE
- 625-XSLO NAIAD PUSH BUTTON CARTRIDGES
- LOOSE KEY ANGLE INLET SERVICE STOPS
- EXTENDED PEDALS
- FINISH: CHROME PLATE

- ASME A112.18.1M COMPLIANT
- CSA B125 COMPLIANT
- NSF 61 COMPLIANT

DATE: 05-21-02

BY: SID

CHK'D:

APP'D:

REV: 8-28-06

834-EPSLO

ROUGHING IN DIMENSIONS MAY VARY AND ARE SUBJECT TO CHANGE. NO RESPONSIBILITY IS ASSUMED FOR USE OF SUPERCEDED OR VOIDED DATA.