



a Geberit company

2100 South Clearwater Drive  
Des Plaines, IL 60018  
Phone: 847-803-5000  
Fax: 847-803-5454  
www.chicagofaucets.com

# ROUGH-IN

BY: SID DATE: 11-29-06  
CHK: [Signature] REV: 09-01-09

FITTING NO.

748-665CP

SUBMITTED MODEL NO.

**FOR TECHNICAL ASSISTANCE**  
1-800-TEC-TRUE (1-800-832-8783)

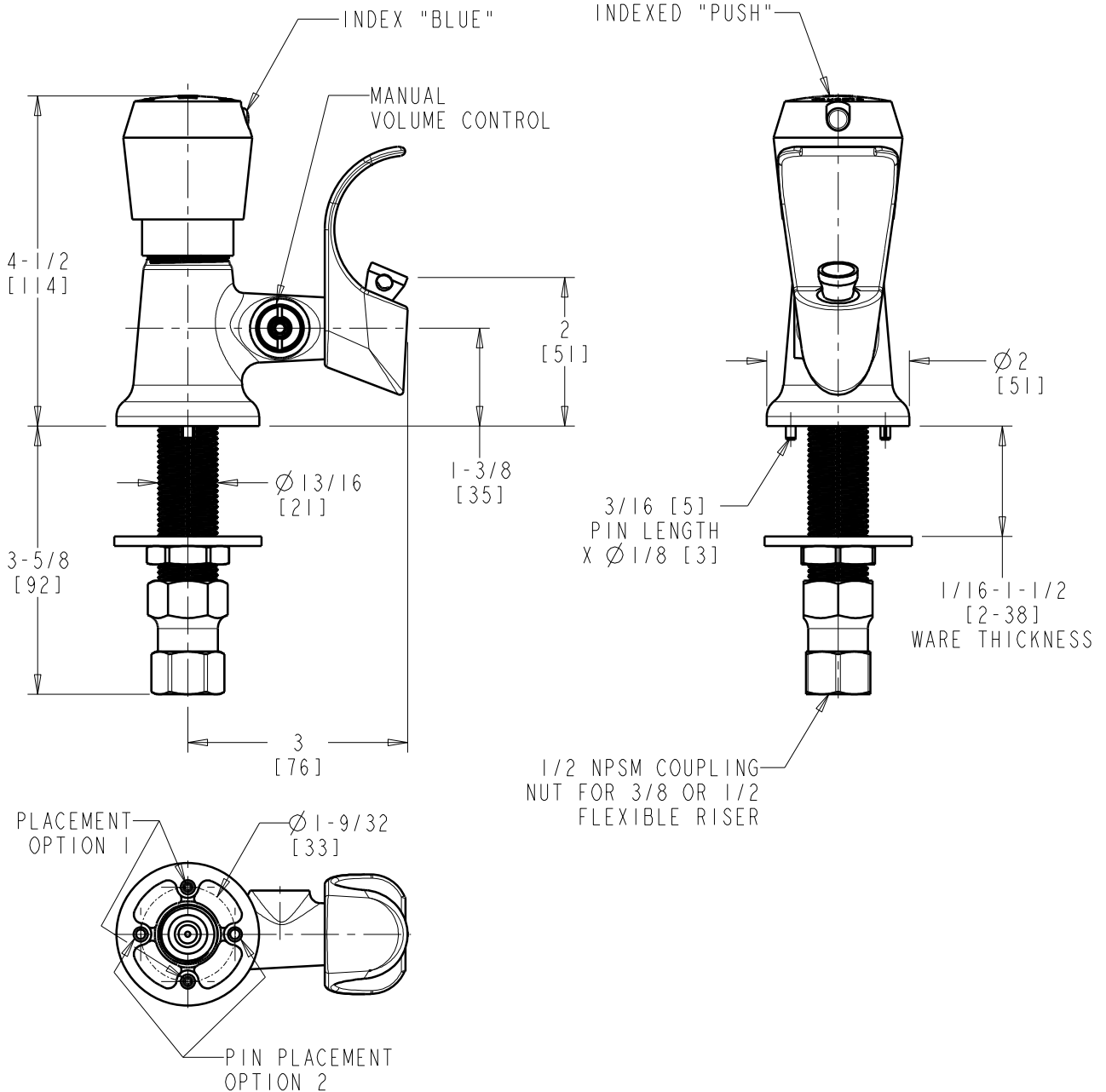
SUBMITTED AS SHOWN

SUBMITTED AS NOTED

SEE ATTACHED FOR  
SUBMITTED MODIFICATION

JOB NAME

ITEM NO.



DIMENSIONS ARE IN INCHES AND [MILLIMETERS].

## TECHNICAL DATA

- DRINKING FOUNTAIN
- 665 INDEXED PUSH HANDLE
- MVP SELF-CLOSING NON-METERING CARTRIDGE
- ANTI-ROTATING PINS
- FINISH: CHROME PLATE

- MANUAL VANDAL RESISTANT VOLUME CONTROL
- 0.7 GPM (2.6 L/MIN.) MAXIMUM FLOW CONTROL
- ASME A112.18.1/CSA B125.1 COMPLIANT
- NSF/ANSI 61 COMPLIANT



ADA COMPLIANT

ROUGHING IN DIMENSIONS MAY VARY AND ARE SUBJECT TO CHANGE. NO RESPONSIBILITY IS ASSUMED FOR USE OF SUPERCEDED OR VOIDED DATA.