

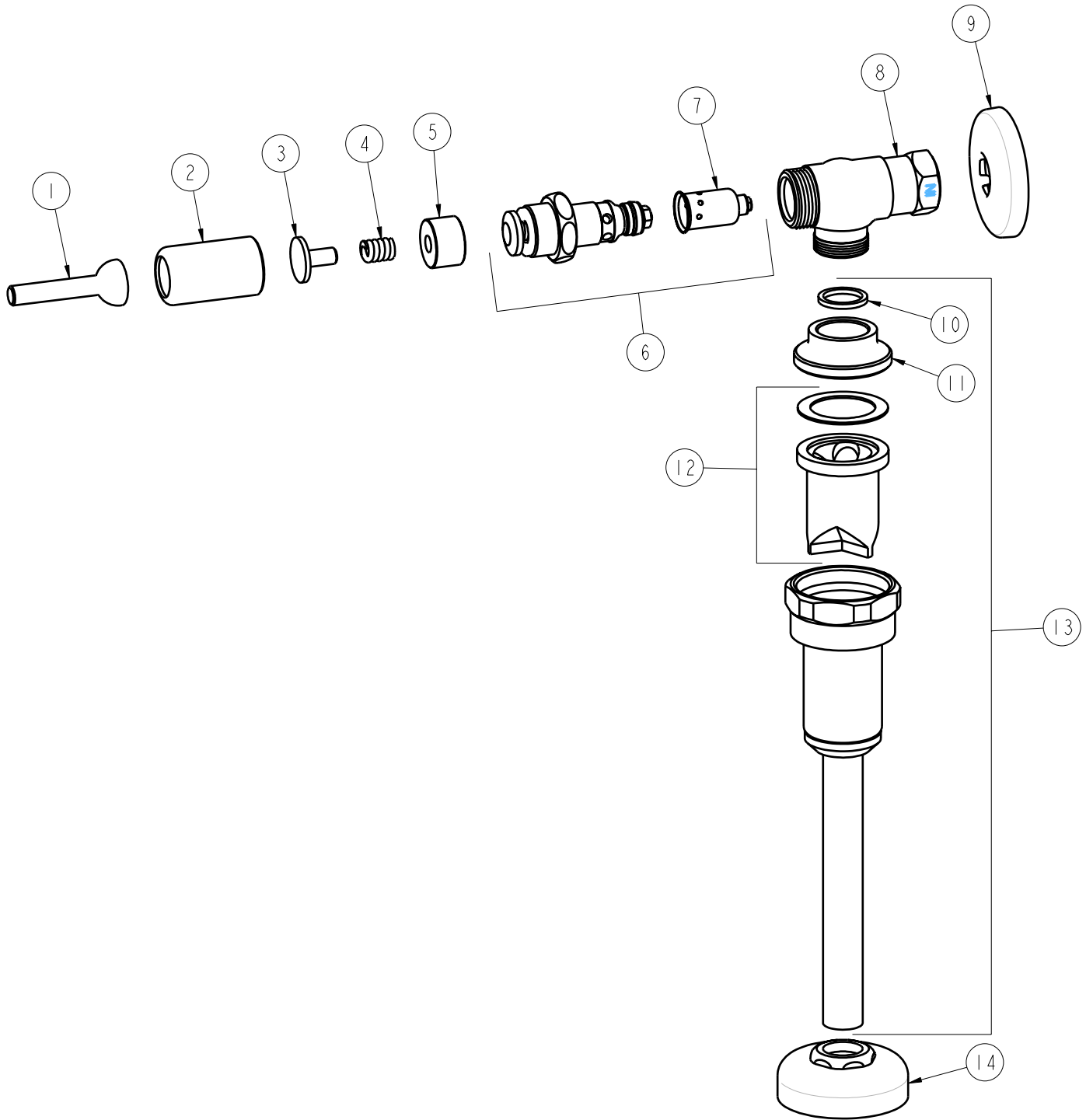
PARTS LIST

BY: SID
CHK'D: *[Signature]*



FINISH: AS SPECIFIED
DATE: 10-17-03
REV: 04-02-07

732-OHVB



ITEM NO.	PART NO.	DESCRIPTION	ITEM NO.	PART NO.	DESCRIPTION
1	386-009	HANDLE	8	-----	VALVE BODY (NOT SOLD SEPARATELY)
2	386-010	BONNET	9	749-016	WALL FLANGE
3	386-011	PLUNGER	10	734-005	GASKET
4	386-013	SPRING	11	734-001	ADAPTER
5	386-014	SLEEVE	12	734-105K	URINAL V.B. REPAIR KIT
6	386-XSLO	OSCILLATING HANDLE UNIT	13	734	URINAL VALVE VACUUM BREAKER
7	333-073K	SLOW DASHPOT ASSEMBLY	14	142-PP	FLANGE ASSEMBLY PRE-PACK