



a Geberit company

2100 South Clearwater Drive
Des Plaines, IL 60018
Phone: 847-803-5000
Fax: 847-803-5454
www.chicagofaucets.com

FOR TECHNICAL ASSISTANCE
1-800-TEC-TRUE (1-800-832-8783)

REPAIR PARTS

BY: SID DATE: 06-05-12

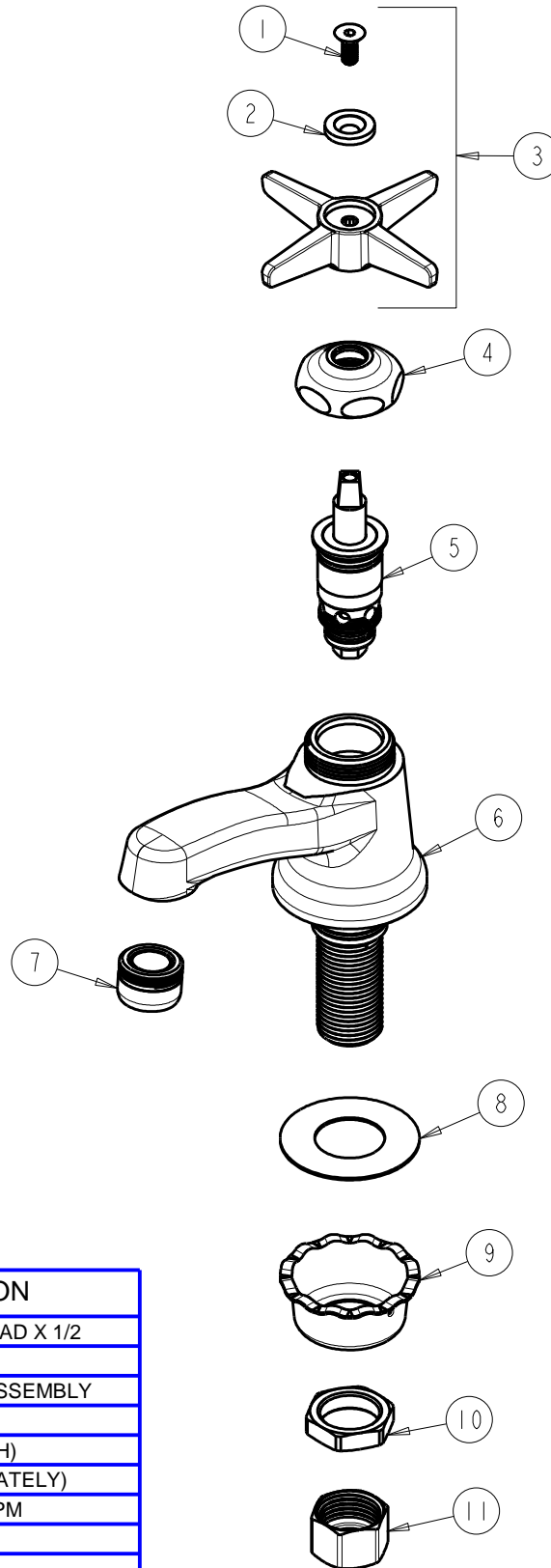
CHK: *[Signature]* REV: 10-03-14

FITTING NO.

700-HOTABCP

SUBMITTED MODEL NO.

ITEM NO.



ITEM	PART NO.	DESCRIPTION
1	420-020JKNF	SCREW, 1/8 FLAT HEX HEAD X 1/2
2	633-023JKNF	INDEX BUTTON (RED)
3	633-HOTJKCP	4-ARM CROSS HANDLE ASSEMBLY
4	1-214JKCP	CAP
5	1-100XTJKABNF	QUATURN CARTRIDGE (LH)
6	-----	BODY (NOT SOLD SEPARATELY)
7	E12JKABCP	OUTLET, AERATOR 2.2 GPM
8	333-103JKNF	RUBBER WASHER
9	1797-114JKNF	BASIN COCK WASHER
10	49-004JKRBF	LOCKNUT
11	49-005JKRBF	COUPLING NUT