



a Geberit company

2100 South Clearwater Drive
Des Plaines, IL 60018
Phone: 847-803-5000
Fax: 847-803-5454
www.chicagofaucets.com

ROUGH-IN

FITTING NO.

621-CP

BY: JAR

DATE: 04-29-02

SUBMITTED MODEL NO.

CHK: *JAR*

REV: 08-30-11

FOR TECHNICAL ASSISTANCE
1-800-TEC-TRUE (1-800-832-8783)

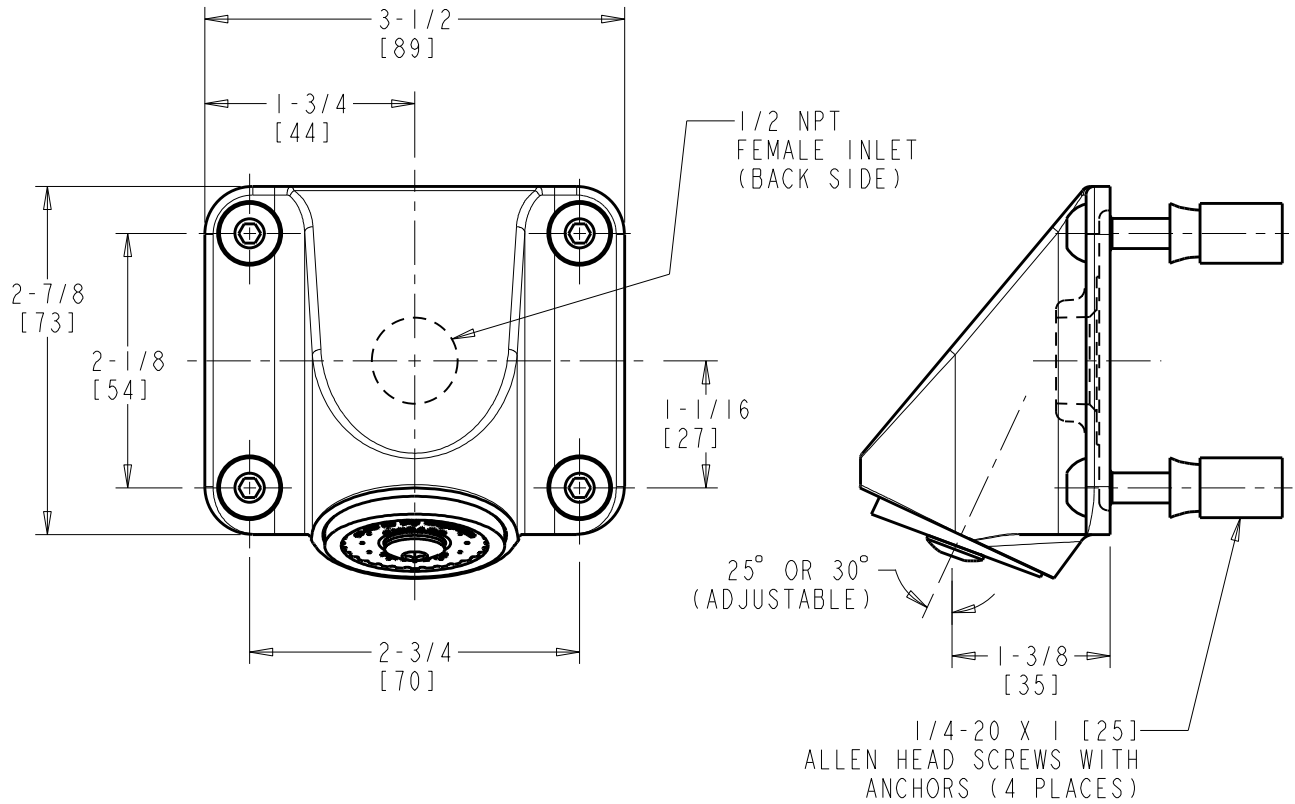
SUBMITTED AS SHOWN

SUBMITTED AS NOTED

SEE ATTACHED FOR
SUBMITTED MODIFICATION

JOB NAME

ITEM NO.



DIMENSIONS ARE IN INCHES AND [MILLIMETERS].

TECHNICAL DATA

- WALL MOUNTED INSTITUTIONAL SHOWER HEAD
- PRESSURE COMPENSATING FLOW CONTROL
- ADJUSTABLE SPRAY ANGLE 20° OR 30°
- VANDAL RESISTANT MOUNTING
- INTEGRAL FLOW CONTROL
- FINISH: CHROME PLATE

- 2.0 GPM [7.6 L/min.] MAXIMUM FLOW RATE
- ASME A112.18.1/CSA B125.1 COMPLIANT
- CERTIFIED TO NSF/ANSI 61, SECTION 9 BY CSA

ROUGHING IN DIMENSIONS MAY VARY AND ARE SUBJECT TO CHANGE. NO RESPONSIBILITY IS ASSUMED FOR USE OF SUPERCEDED OR VOIDED DATA.