



a Geberit company

2100 South Clearwater Drive
Des Plaines, IL 60018
Phone: 847-803-5000
Fax: 847-803-5454
www.chicagofaucets.com

REPAIR PARTS

BY: SID DATE: 10-27-08

CHK: *[Signature]* REV: 10-07-14

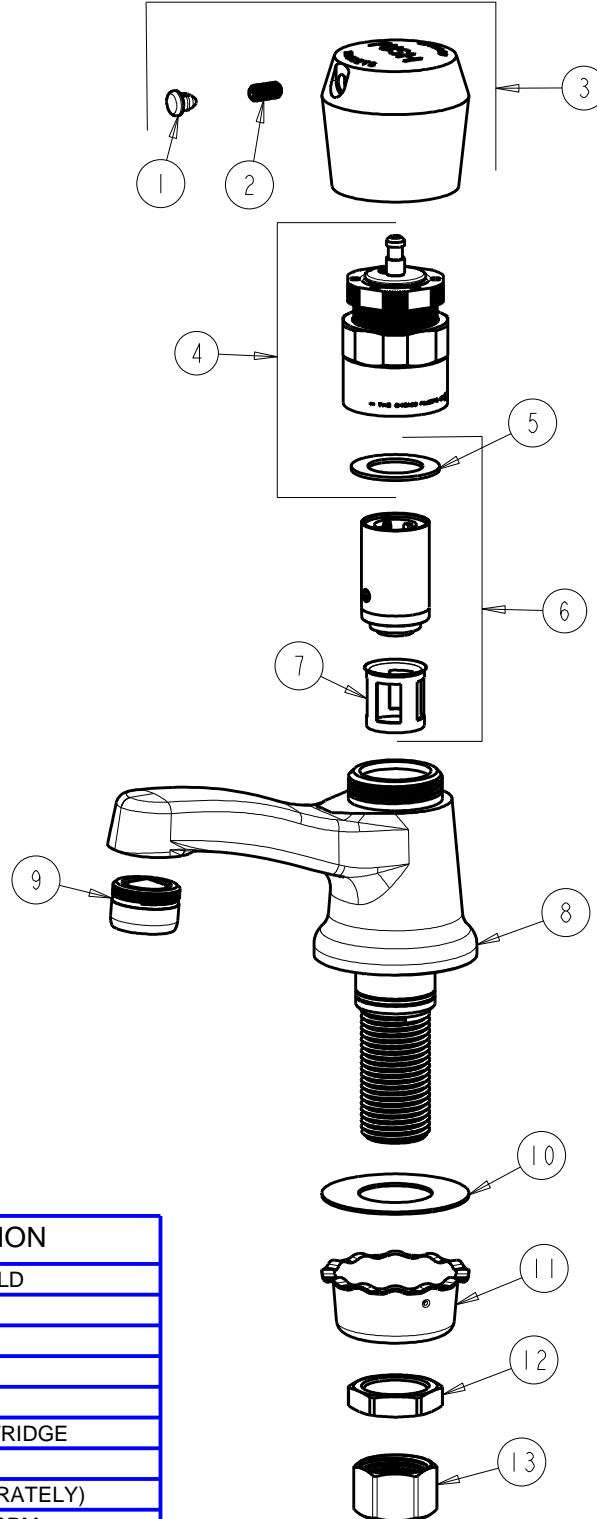
FITTING NO.

333-665PSHABCP

SUBMITTED MODEL NO.

ITEM NO.

FOR TECHNICAL ASSISTANCE
1-800-TEC-TRUE (1-800-832-8783)



ITEM	PART NO.	DESCRIPTION
1	665-309JKNF	BUTTONS, HOT AND COLD
2	665-116JKNF	SET SCREW
3	665-PSHJKCP	HANDLE, PUSH CAP
4	665-190KJKABNF	ACTUATOR ASSEMBLY
5	665-011JKABNF	WASHER, SEALING
6	671-XJKABNF	METERING VALVE CARTRIDGE
7	667-402JKABNF	MVP FILTER
8	-----	BODY (NOT SOLD SEPARATELY)
9	E12JKABCP	OUTLET, AERATOR 2.2 GPM
10	333-103JKNF	RUBBER WASHER
11	1797-114JKNF	BASIN COCK WASHER
12	49-004JKRBF	LOCKNUT
13	49-005JKRBF	COUPLING NUT