

**CHICAGO FAUCETS**  
a Geberit company

2100 South Clearwater Drive  
Des Plaines, IL 60018  
Phone: 847-803-5000  
Fax: 847-803-5454  
www.chicagofaucets.com

**ROUGH-IN**

FITTING NO.

**293-CP**

SUBMITTED MODEL NO.

BY: SID

DATE: 05-24-02

CHK: *[Signature]*

REV: 06-11-09

**FOR TECHNICAL ASSISTANCE**  
**1-800-TEC-TRUE (1-800-832-8783)**

SUBMITTED AS SHOWN

SUBMITTED AS NOTED

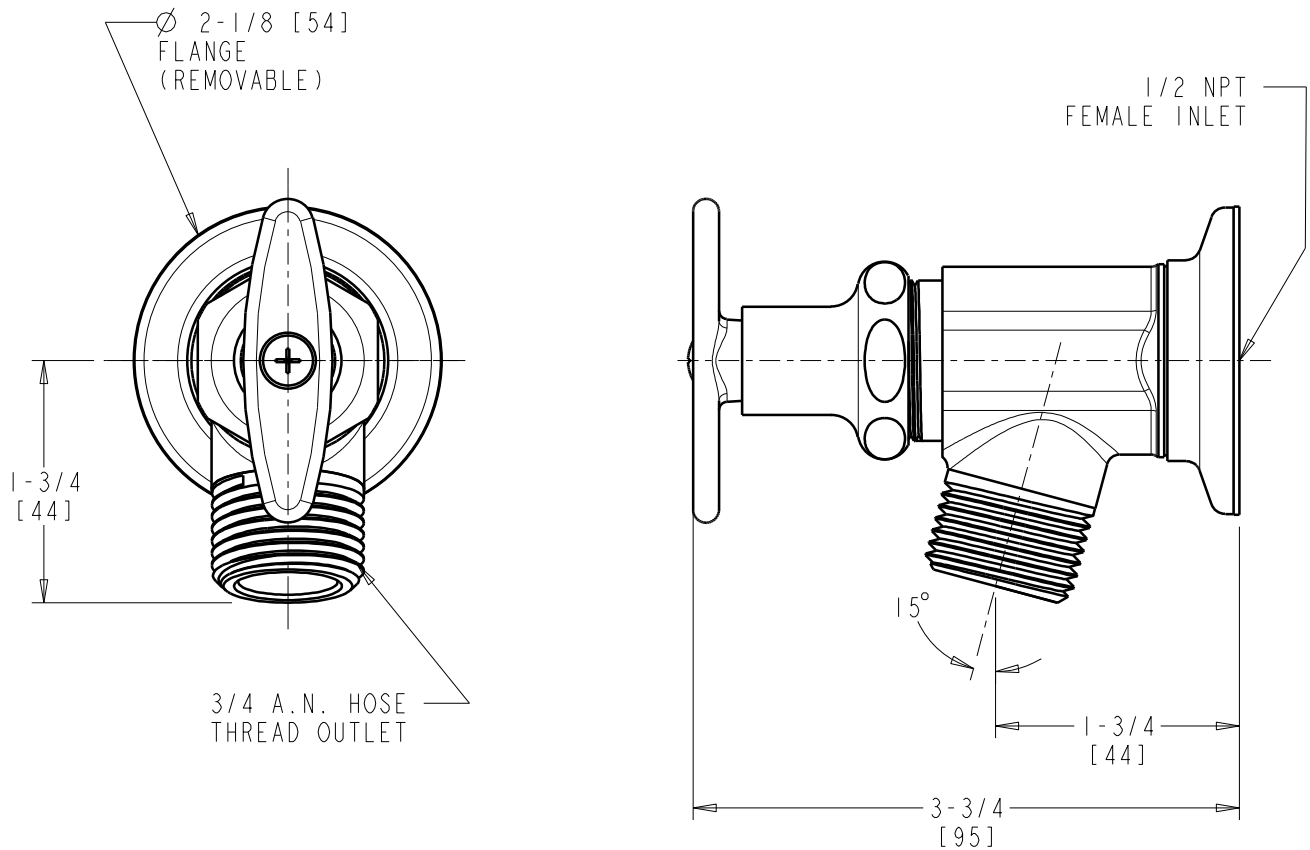
SEE ATTACHED FOR  
SUBMITTED MODIFICATION

JOB NAME

ITEM NO.

**NOTE:**

INSTALLATION OF THIS FITTING  
SHOULD CONFORM TO LOCAL PLUMBING CODE  
REQUIREMENTS FOR BACKFLOW PREVENTION.  
(E27 VACUUM BREAKER OR EQUIVALENT)



DIMENSIONS ARE IN INCHES AND [MILLIMETERS].

**TECHNICAL DATA**

- WALL MOUNTED INSIDE SILL FITTING
- 293-006 LOOSE KEY TEE HANDLE
- SLO-COMPRESSION OPERATING CARTRIDGE
- FINISH: CHROME PLATE

- ASME A112.18.1/CSA B125.1 COMPLIANT

ROUGHING IN DIMENSIONS MAY VARY AND ARE SUBJECT TO CHANGE. NO RESPONSIBILITY IS ASSUMED FOR USE OF SUPERCEDED OR VOIDED DATA.