



2100 South Clearwater Drive  
Des Plaines, IL 60018  
Phone: 847-803-5000  
Fax: 847-803-5454  
www.chicagofaucets.com

**FOR TECHNICAL ASSISTANCE**  
1-800-TEC-TRUE (1-800-832-8783)

# ROUGH-IN

BY: JAR      DATE: 09-11-13  
CHK: *[Signature]*      REV:

FITTING NO.

2300-XJKABNF

SUBMITTED MODEL NO.

SUBMITTED AS SHOWN

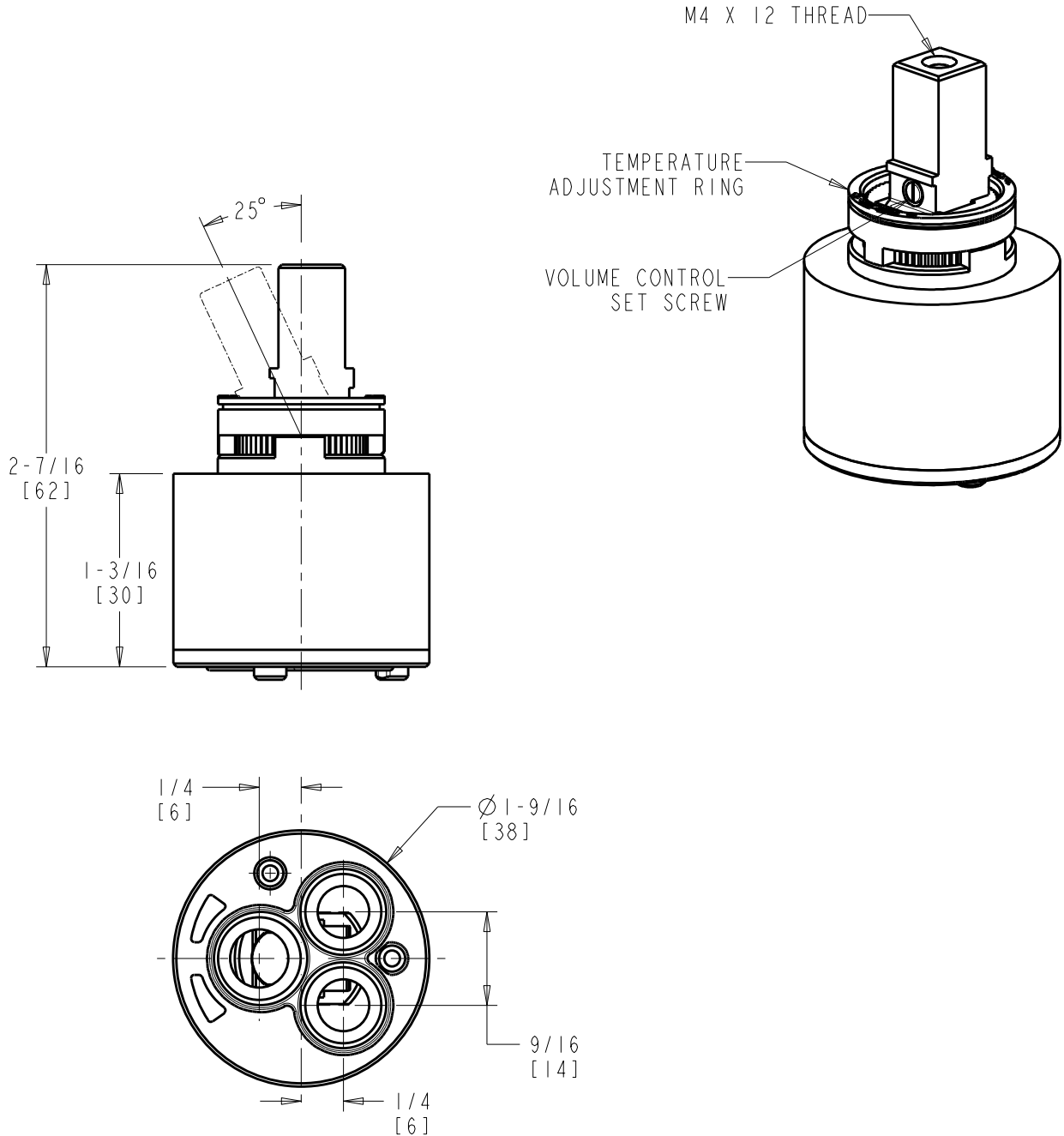
SUBMITTED AS NOTED

SEE ATTACHED FOR  
SUBMITTED MODIFICATION

JOB NAME

ITEM NO.

ROUGHING IN DIMENSIONS MAY VARY AND ARE SUBJECT TO CHANGE. NO RESPONSIBILITY IS ASSUMED FOR USE OF SUPERCEDED OR VOIDED DATA.



DIMENSIONS ARE IN INCHES AND [MILLIMETERS].

### TECHNICAL DATA

- CERAMIC MIXING CARTRIDGE
- MAX. OPENING ANGLE: 25°
- MAX. MIXING ANGLE: 110°
- MAX. WATER PRESSURE: 35 BAR [500 PSI]
- MAX. TEMPERATURE: 90°C [194°F]
- FINISH: NO FINISH
- ASME A112.18.1/CSA B125.1 COMPLIANT
- CERTIFIED TO NSF/ANSI 61, SECTION 9 BY CSA