

CHICAGO FAUCETS
a Geberit company

2100 South Clearwater Drive
Des Plaines, IL 60018
Phone: 847-803-5000
Fax: 847-803-5454
www.chicagofaucets.com

REPAIR PARTS

FITTING NO.

1105-XLHJKABNF

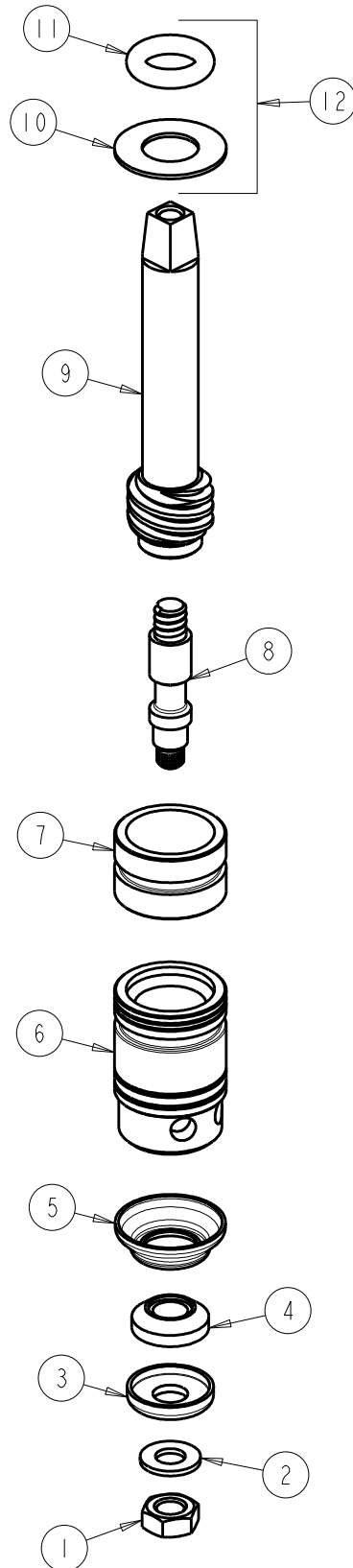
SUBMITTED MODEL NO.

ITEM NO.

BY: JAR DATE: 01-11-17

CHK: *JAR* REV:

FOR TECHNICAL ASSISTANCE
1-800-TEC-TRUE (1-800-832-8783)



ITEM	PART NO.	DESCRIPTION
1	333-097JKABNF	NUT
2	1-031JKABNF	WASHER, STEM
3	1-022JKABNF	WASHER, RETAINER
4	1-021JKABNF	WASHER, SEAT
5	1-027JKABNF	SEAT
6	-----	L.H. QUATURN SLEEVE
7	-----	EXTENSION UNIT SLEEVE
8	-----	STEM, LOWER UNIT
9	-----	STEM, QUATURN L.H.
10	93-031JKABRBF	BRASS WASHER .675 O.D. X .411 I.D.
11	1-519JKABNF	O-RING, .359 X .139
12	93-131JKABNF	WASHER AND O-RING