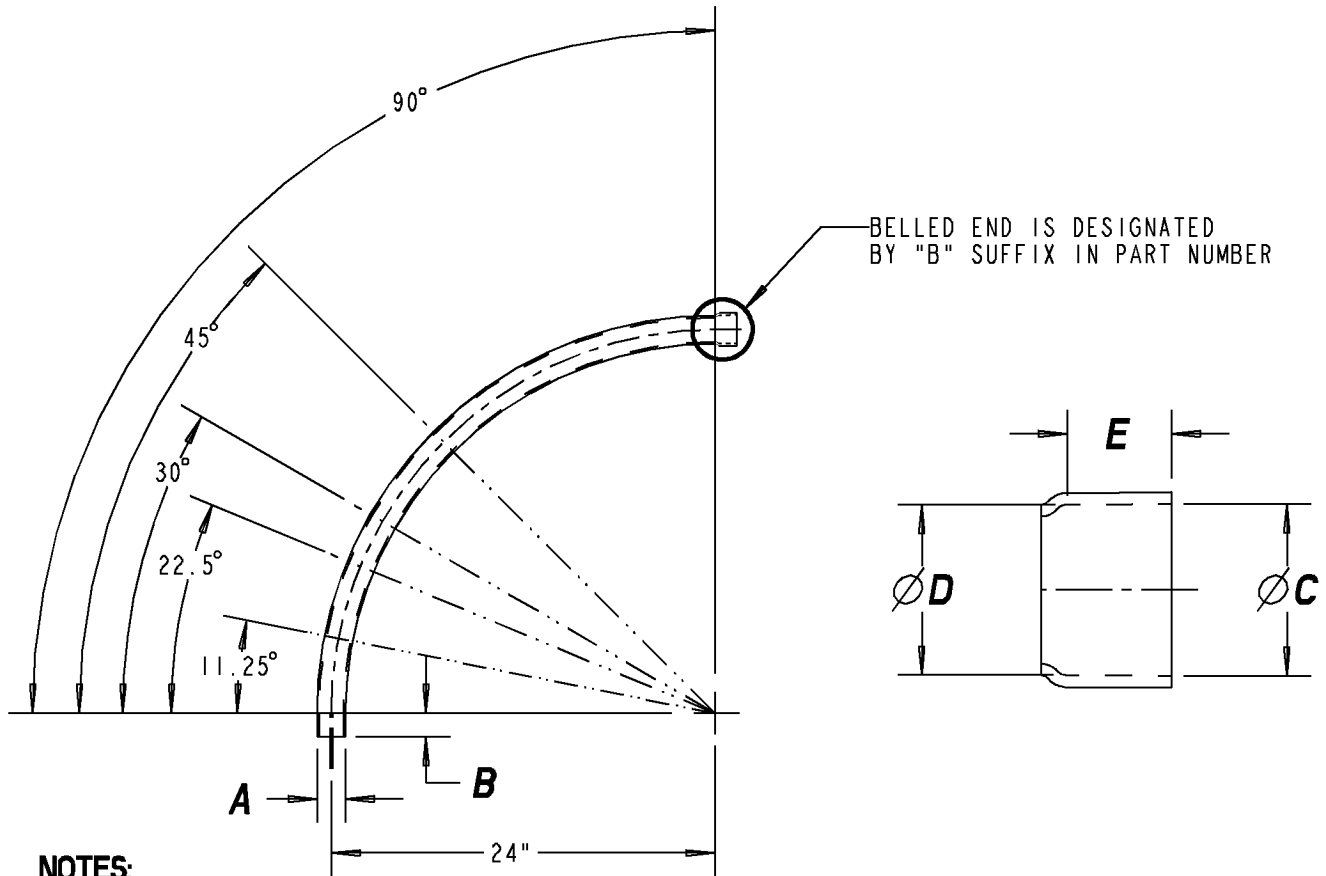



# Carlton®



**NOTES:**

1. "B" DIMENSION (TANGENT LENGTH) IS TYPICAL ON NON-BELLED SWEEPS.

<b>GENERAL NOTES</b>		 www.tnb.com			
1. ALL DIMENSIONS ARE FOR REFERENCE ONLY. 2. DIMENSIONS IN BRACKETS [ ] ARE IN METRIC UNITS.					
<b>REVISIONS</b>		<b>DESCRIPTION: SCH.40 BELLED &amp; SPIGOT END SWEEPS - 24" RADIUS</b>			
*** SEE ERN ( **** ) FOR APPROVAL SIGNATURES & RELEASE DATE. PROJECT NO: ****		ORIGINAL PROJECT NO / ( ERN NO ) / ( )	SHEET NO: 1 OF 2	REV. NO: A	DRAWING NO: WSD-AC04882

SIZE	90° P/N	45° P/N	30° P/N	22 1/2° P/N	11 1/4° P/N	A	B	ØC	ØD	E
1"	UA9DFB UA9DF	UA7DF	- -	- -	- -	1.32 (33.5)	1.88 (47.7)	1.33 (33.8)	1.31 (33.3)	1.38 (34.9)
1 1/4"	UA9DGB UA9DG	UA7DG	- -	- -	- -	1.66 (42.2)	2.00 (50.8)	1.68 (42.6)	1.66 (42)	1.47 (37.3)
1 1/2"	UA9DHB UA9DH	UA7DH	- -	- -	- -	1.90 (48.3)	2.00 (50.8)	1.92 (48.7)	1.89 (48.1)	1.53 (38.9)
2"	UA9DJ UA9DJB-PS UA9DJBR UA9DJB-UPC UA9DJCB	UA7DJBR UA7DJB UA7DJ	UA6DJB UA6DJ	UA5DJBR UA5DJB UA5DJ	UA3DJB UA3DJ	2.38 (60.7)	2.00 (50.8)	2.39 (60.8)	2.37 (59.9)	1.56 (39.7)
2 1/2"	UA9DKB UA9DK UA9DKB-UPC	UA7DKBR UA7DKB UA7DK	UA6DK	UA5DK	UA3DK	2.88 (73.2)	3.00 (76.2)	2.89 (73.4)	2.87 (72.8)	2.24 (56.8)
3"	UA9DLB-PS UA9DL UA9DLBR UA9DLB-UPC	UA7DLBR UA7DLB UA7DL	UA6DLB UA6DL	UA5DLBR UA5DLB UA5DL	UA3DLB UA3DL	3.50 (88.9)	3.13 (79.5)	3.52 (89.3)	3.49 (88.7)	2.36 (59.9)
3 1/2"	UA9DMB UA9DM	UA7DM	UA6DM	UA5DM	UA3DM	4.00 (101.6)	3.25 (82.6)	4.02 (102)	3.99 (101.4)	2.47 (62.7)
4"	UA9DNB UA9DN UA9DNB-PS UA9DNBR	UA7DNBR UA7DNB UA7DN	UA6DN	UA5DNBR UA5DNB UA5DN	UA3DNB UA3DN	4.50 (114.3)	3.38 (85.9)	4.52 (114.7)	4.49 (114.1)	2.56 (65.1)
5"	- -	- -	- -	UA5DPB UA5DP	- -	5.56 (141.2)	3.63 (92.2)	5.59 (142.1)	5.55 (141)	2.78 (70.6)

**Thomas & Betts**  
www.tnb.com

DESCRIPTION: **SCH.40 BELLED & SPIGOT END  
SWEEPS - 24" RADIUS**

SHEET NO:  
**2 OF 2**

REV. NO:  
**A**

DRAWING NO:  
**WSD-AC04882**