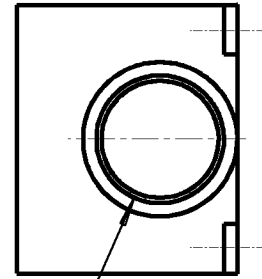
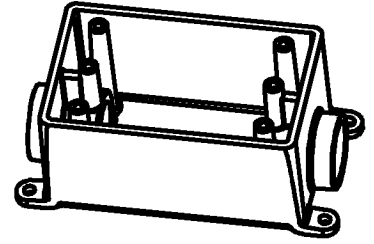
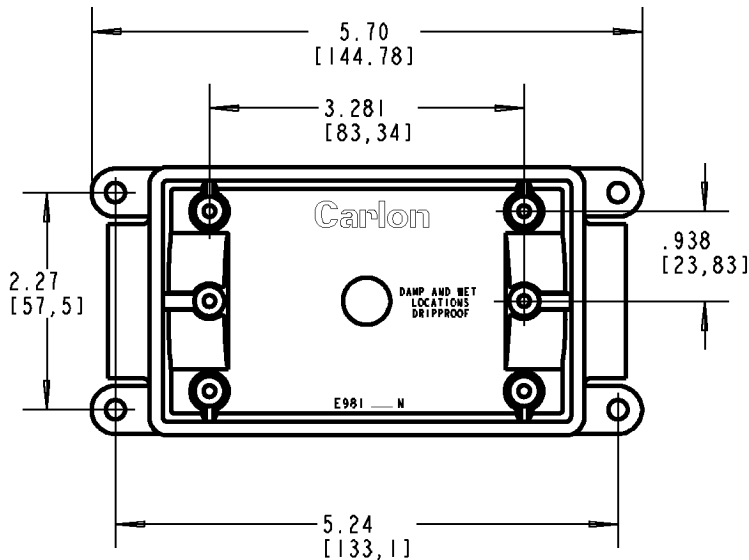
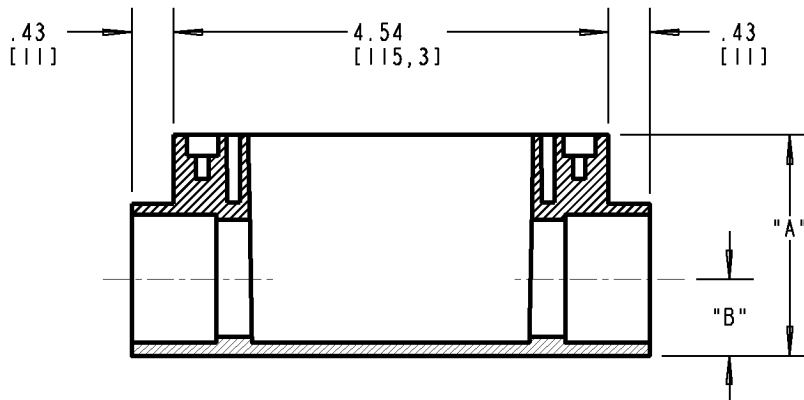


Carlton®



DIA. TO FIT DESIGNATED CONDUIT SIZE



PART NO	CONDUIT SIZE INCHES (MM)	VOLUME CU. IN. (ML)	DIM 'A' INCHES (MM)	DIM 'B' INCHES (MM)
E981DFN E981DFN-CTN E981DFNL	1/2" (16)	18 (295)	2.30 (58.4)	.566 (14.4)
E981EFN E981EFN-CTN E981EFNL	3/4" (21)	18 (295)	2.30 (58.4)	.672 (17.1)
E981FFN E981FFN-CAR E981FFN-CTN E981FFNL	1" (27)	18 (295)	2.30 (58.4)	.805 (20.4)

GENERAL NOTES

- ALL DIMENSIONS ARE FOR REFERENCE ONLY.
- DIMENSIONS IN BRACKETS [] ARE IN METRIC UNITS.

REVISIONS

*** SEE ERN (****) FOR APPROVAL SIGNATURES & RELEASE DATE.
PROJECT NO: ****

Thomas & Betts
www.tnb.com

DESCRIPTION:

FS BOX 2 PORTS

ORIGINAL PROJECT NO / (ERN NO)

/ ()

SHEET NO:

1 OF 1

REV. NO:

A

DRAWING NO:

WSD-AC04669