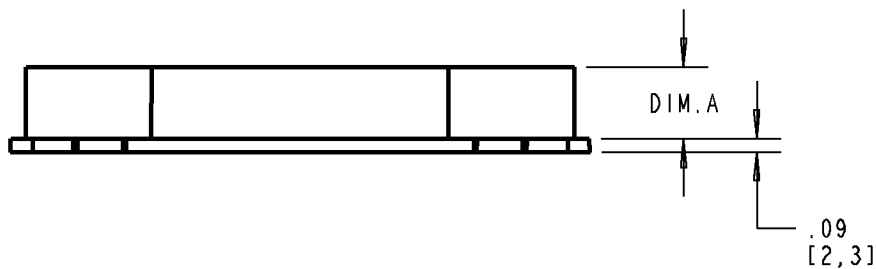
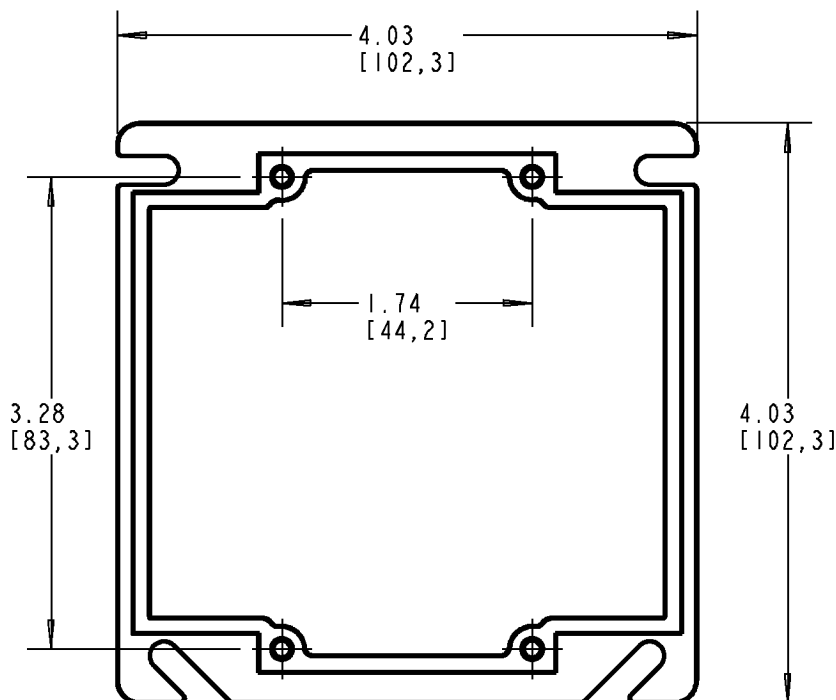
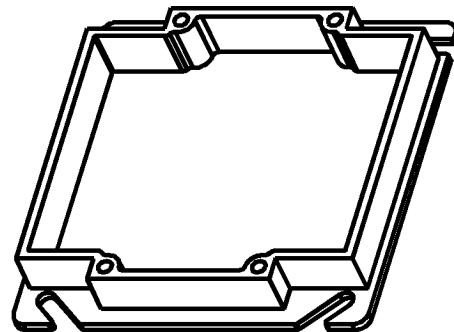


Carlton®

PART NO.	DIM. A	HEIGHT	VOL. CU. IN.
A420 A420RR	.50 [12.7]	1/2"	6.1
A421 A421RR	.63 [16]	5/8"	7.4
A422	.75 [19]	3/4"	8.7



GENERAL NOTES

- ALL DIMENSIONS ARE FOR REFERENCE ONLY.
- DIMENSIONS IN BRACKETS [] ARE IN METRIC UNITS.

REVISIONS

*** SEE ERN (****) FOR APPROVAL SIGNATURES & RELEASE DATE.
PROJECT NO: ****

Thomas & Betts
www.tnb.com

DESCRIPTION: **2 GANG RAISED 4" COVER**

ORIGINAL PROJECT NO / (ERN NO)
/ ()

SHEET NO:
1 OF 1

REV. NO:
A

DRAWING NO:
WSD-AC05176