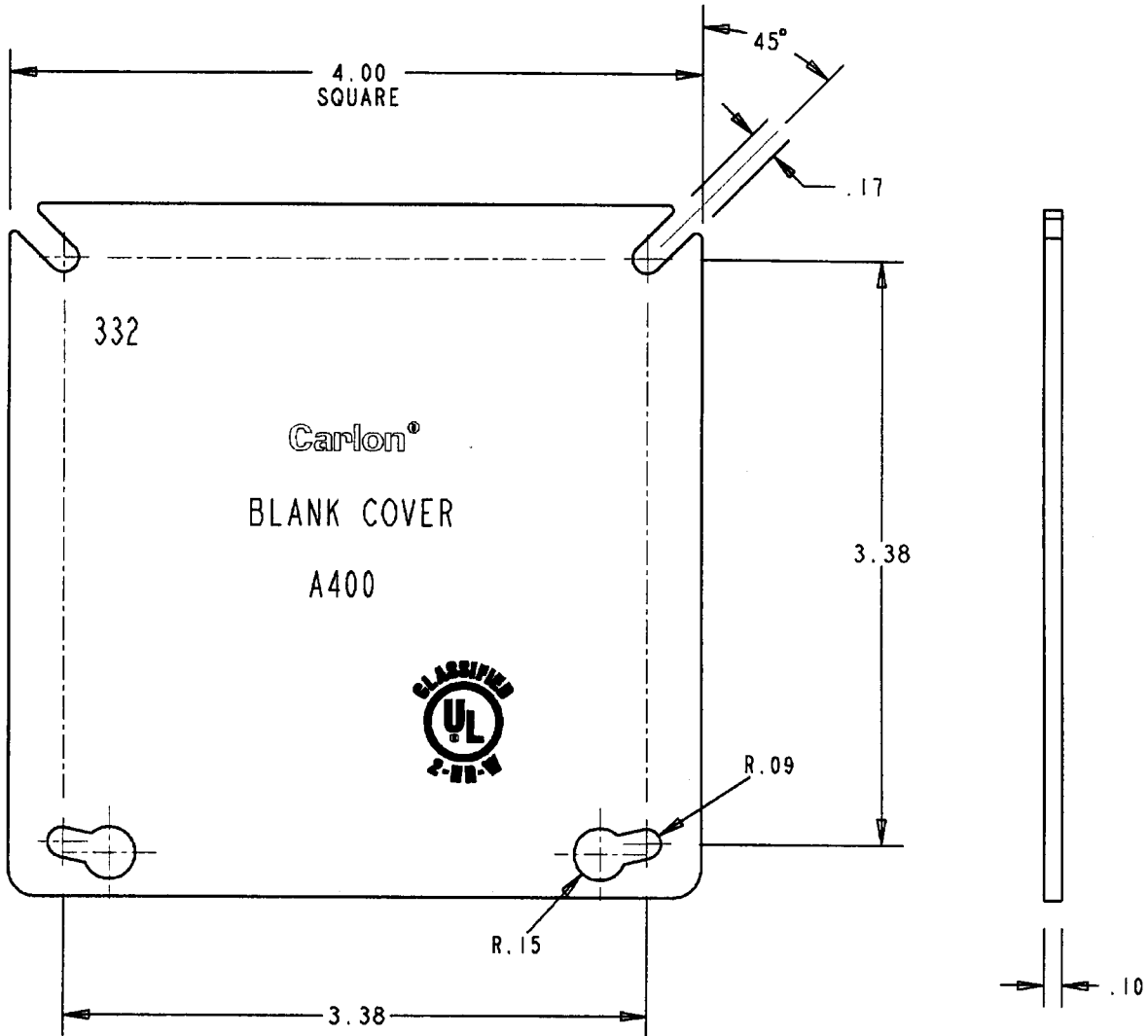


Carlton



CATALOG NO: A400

GENERAL NOTES

1. ALL DIMENSIONS ARE FOR REFERENCE ONLY.
2. DIMENSIONS IN BRACKETS [] ARE IN METRIC UNITS.

REVISIONS

** SEE ERN (2010273) FOR APPROVAL SIGNATURES & RELEASE DATE.
PROJECT NO: 5AM91009

Thomas & Betts
www.tnb.com

DESCRIPTION: COVER - ENT - BLANK - SQUARE - 4"

ORIGINAL PROJECT NO / (ERN NO)	SHEET NO:	REV. NO:	DRAWING NO:
5AM91009 / (2010351)	1 OF 1	A	WSD-AC05217