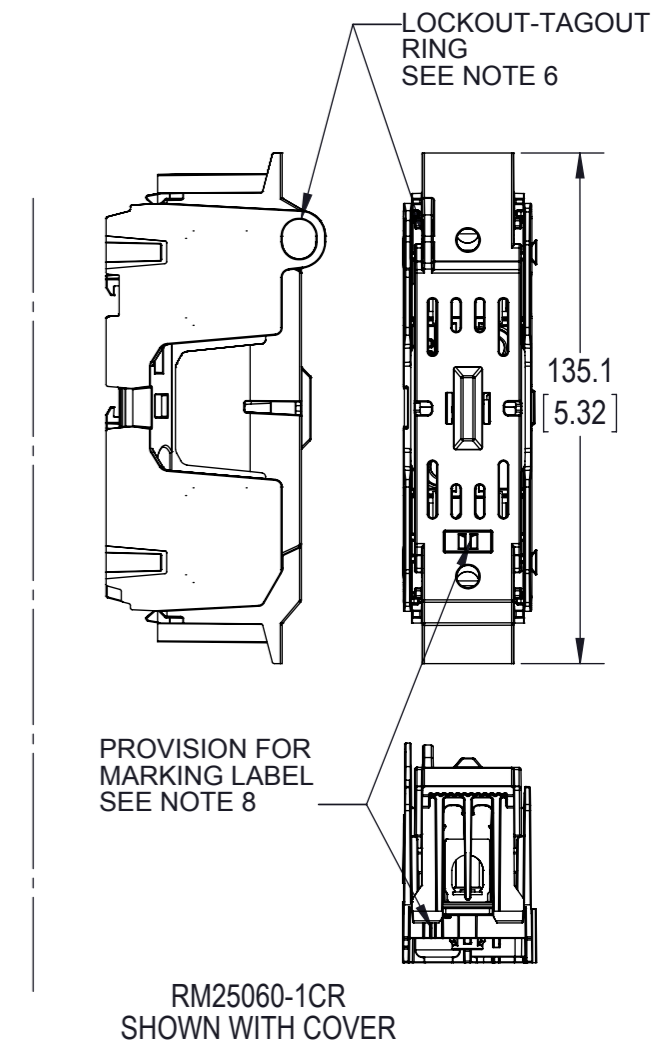
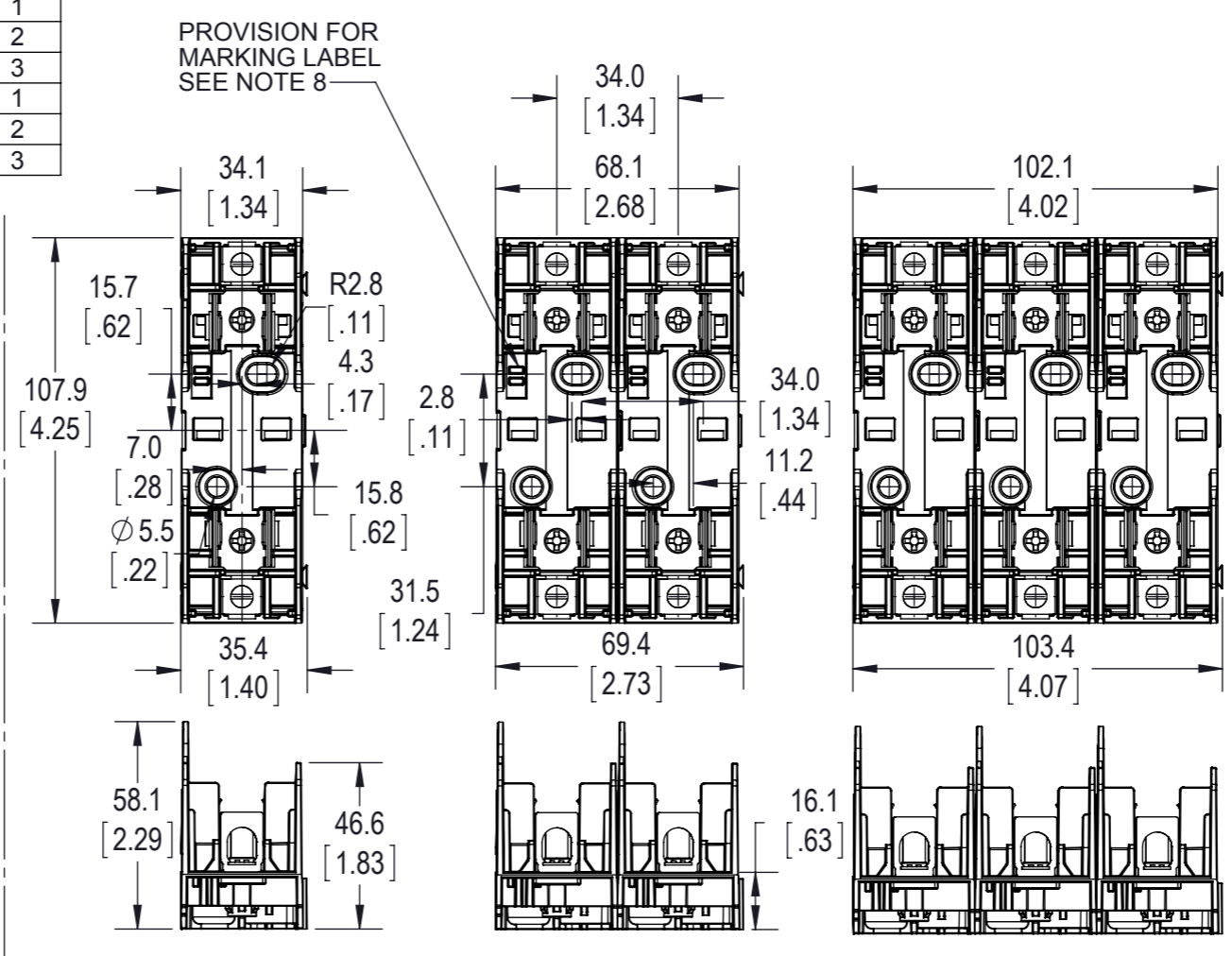
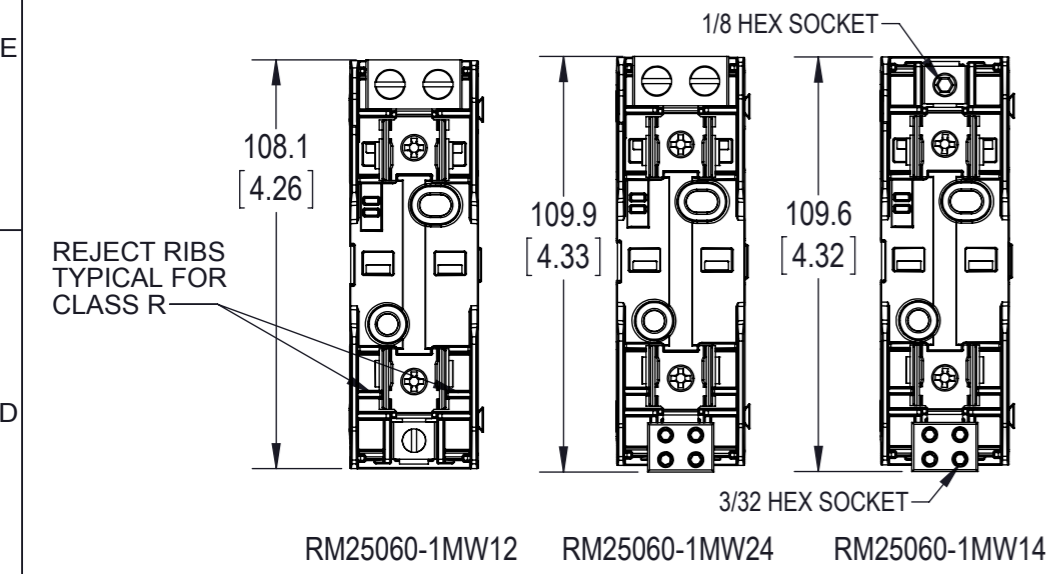
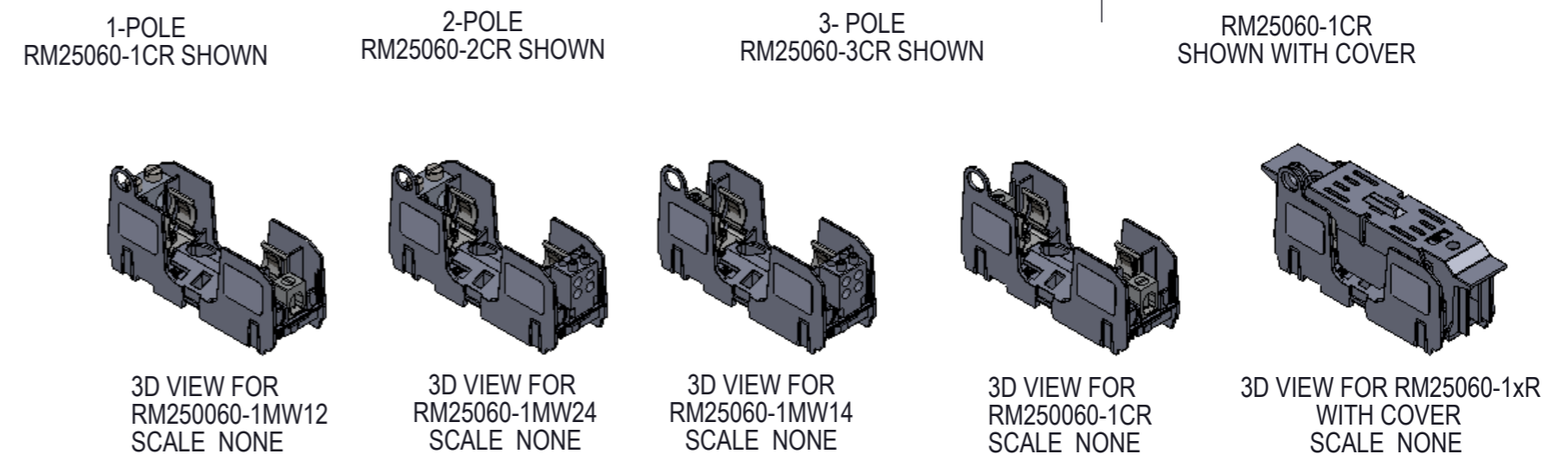


CATALOG NO.	TERMINAL TYPE	IP20 FINGER SAFE COVERS		NO. OF POLES
		W/O INDICATION	INDICATION	
RM25060-1CR	BOX LUG 1 PORT	CVR-RH-25060	CVRI-RH-25060	1
RM25060-2CR	BOX LUG 1 PORT			2
RM25060-3CR	BOX LUG 1 PORT			3
RM25060-1MW14	BOX LUG - 1 TO 4 PORT			1
RM25060-2MW14	BOX LUG - 1 TO 4 PORT			2
RM25060-3MW14	BOX LUG - 1 TO 4 PORT			3
RM25060-1MW12	BOX LUG - 1 TO 2 PORT	NA	NA	1
RM25060-2MW12	BOX LUG - 1 TO 2 PORT			2
RM25060-3MW12	BOX LUG - 1 TO 2 PORT			3
RM25060-1MW24	BOX LUG - 2 TO 4 PORT			1
RM25060-2MW24	BOX LUG - 2 TO 4 PORT			2
RM25060-3MW24	BOX LUG - 2 TO 4 PORT			3



- NOTES:
- VOLTAGE RATING: 250V
  - AMPERAGE: 60A
  - WITHSTAND RATING: CLASS R = 200kA; CLASS H = 10kA
  - WIRE: -CR/-MW12/MW14 CU/AL 75C  
-MW24 CU/AL 75/90C
  - 1 PORT WIRE RANGE: (1) 2 - 14 AWG CU  
2-3: 50 lb-in (5.6 Nm)  
4-6, 45 lb-in (5.1 Nm)  
8, 40 lb-in (4.5 Nm)  
10-14, 35 lb-in (4.0 Nm)  
(2) 12-14, 50 lb-in (5.6 Nm)
  - 4 PORT WIRE RANGE: (1) 2 - 8 AWG AL  
2-3: 50 lb-in (5.6 Nm)  
4-6, 45 lb-in (5.1 Nm)  
8, 40 lb-in (4.5 Nm)  
(1) 8-14 AWG CU  
8 AWG 3.4 Nm (30 in-lb)  
14-10 2.8 Nm (25 in-lb)  
(2) 12-14 AWG CU  
12-14 3.4 Nm (30 in-lb)  
(1) 8-10 AWG AL  
8 Str/10 Sol: 3.4 Nm (30 in-lb)
  - 2 PORT WIRE RANGE: (1) CU 2-14, AL 2-8  
2 - 4 AWG 5.6 Nm (50 lb-in)  
6-10 AWG 4.5 Nm (40 lb-in)  
12-14 AWG 1.7 Nm (15 lb-in)
  - USE 4MM DIA. CABLE LOCK OR 1/4 INCH DIA. HASP PADLOCK.
  - RECOMMEND USING DIN-RAIL END STOPS FOR DIN RAIL MOUNTED APPLICATIONS  
BUSSMANN PART NUMBERS BRKT-ND OR BRKT-NDSCREW2
  - USE BUSMANN MAKER LABEL TM26CB
  - ALL DIMENSIONS ARE TYPICAL UNLESS OTHERWISE INDICATED
  - COVER NOT APPLICABLE FOR -xMW12 AND -xMW24 CONFIGURATIONS
  - CHR IS IDENTICAL TO THE -CR EXCEPT WITH A 1/8 INCH HEX WIRE CONNECTOR SCREW



EATON CORPORATION - CONFIDENTIAL AND PROPRIETARY  
NOTICE TO PERSONS RECEIVING THIS DOCUMENT AND/OR TECHNICAL INFORMATION

THIS DRAWING IS AN UNCONTROLLED COPY IF PRINTED OR SENT ELECTRONICALLY. DO NOT SCALE DRAWING

GENERAL DRAWING PRACTICES IN ACCORDANCE WITH ASME - Y14.100-2004 DIMENSIONS AND TOLERANCES IN ACCORDANCE WITH ASME - Y14.5M-1994 UNLESS OTHERWISE SPECIFIED DIMENSIONS ARE IN MILLIMETERS

UNLESS OTHERWISE SPECIFIED TOLERANCES TO BE MILLIMETERS ±.13 mm ANGULAR ± 1°

**CUSTOMER PRINT**  
THIRD ANGLE PROJECTION

© 2012 Eaton Corporation. All Rights Reserved.

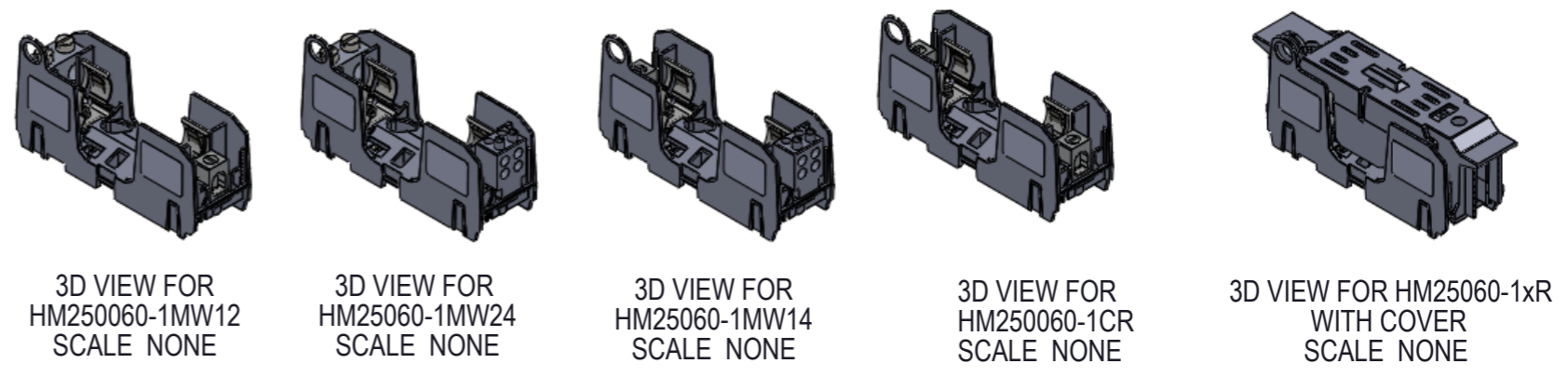
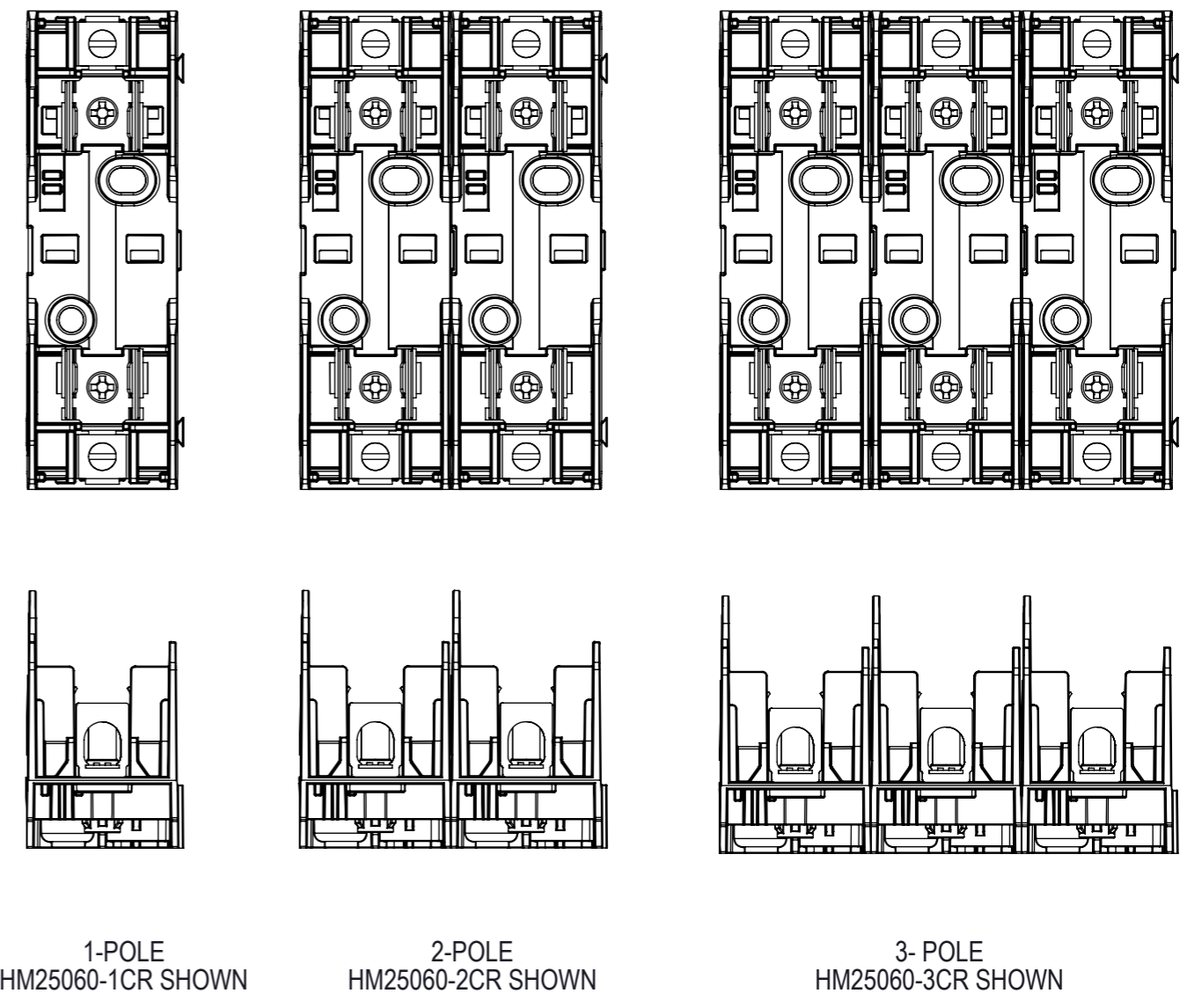
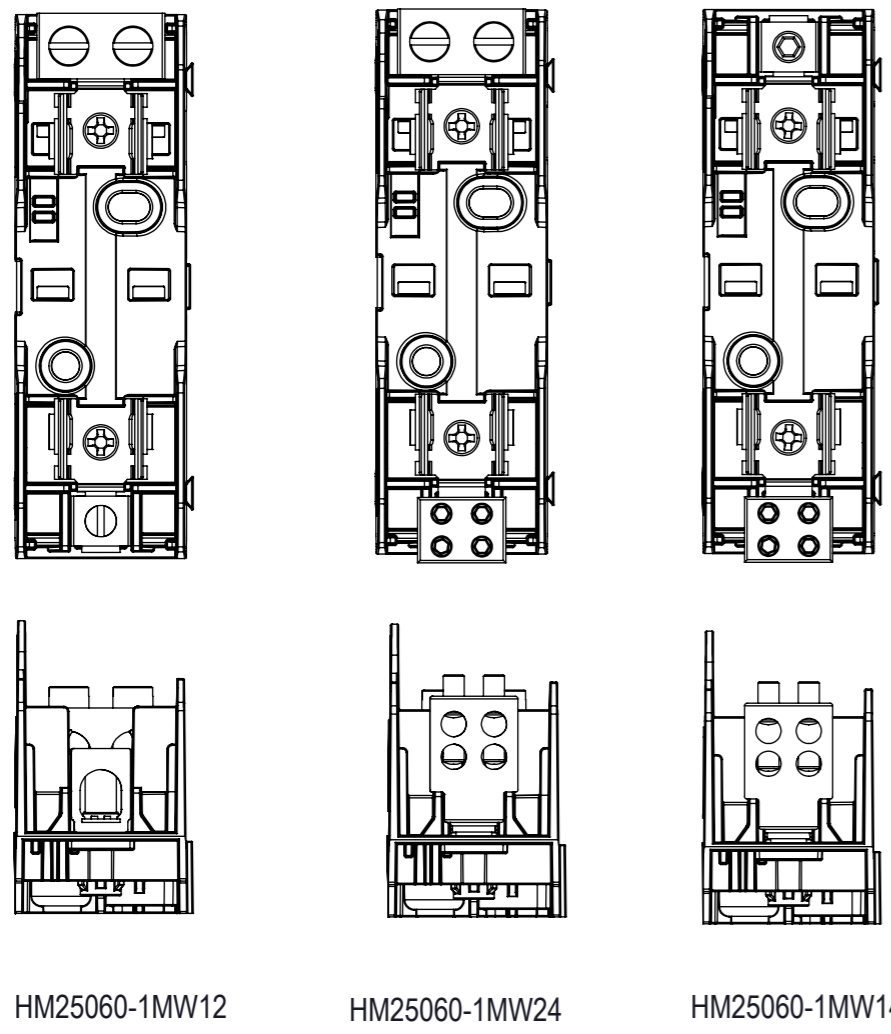
**EATON** BUSSMANN SERIES

TITLE: **250V / 60AMP CLASS R & H FUSE BLOCK**

SIZE: **A3** DWG NO.: **RM25060-HM25060-CP** REV: **B**

SCALE: 1:2 SHEET 1 OF 3

CATALOG NO.	TERMINAL TYPE	IP20 FINGER SAFE COVERS		NO. OF POLES
		W/O INDICATION	INDICATION	
HM25060-1CR	BOX LUG 1 PORT	CVR-RH-25060	CVRI-RH-25060	1
HM25060-2CR	BOX LUG 1 PORT			2
HM25060-3CR	BOX LUG 1 PORT			3
HM25060-1MW14	BOX LUG - 1 TO 4 PORT	NA	NA	1
HM25060-2MW14	BOX LUG - 1 TO 4 PORT			2
HM25060-3MW14	BOX LUG - 1 TO 4 PORT			3
HM25060-1MW12	BOX LUG - 1 TO 2 PORT	NA	NA	1
HM25060-2MW12	BOX LUG - 1 TO 2 PORT			2
HM25060-3MW12	BOX LUG - 1 TO 2 PORT			3
HM25060-1MW24	BOX LUG - 2 TO 4 PORT	NA	NA	1
HM25060-2MW24	BOX LUG - 2 TO 4 PORT			2
HM25060-3MW24	BOX LUG - 2 TO 4 PORT			3



**EATON** BUSSMANN SERIES

TITLE  
**250V / 60AMP CLASS R & H FUSE BLOCK**

SIZE: **A3**      DWG NO.: **RM25060-HM25060-CP**      REV: **B**

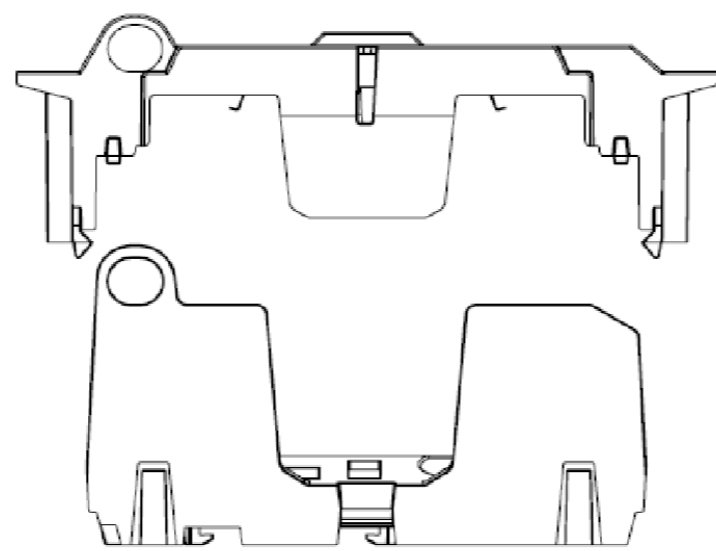
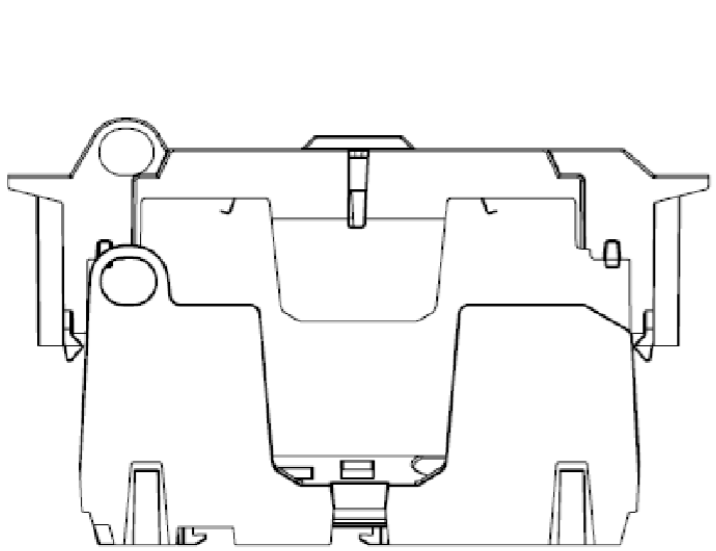
SCALE: 2:3      SHEET 2 OF 3

SJA\_BUSS\_ME\_CERPL\_REV\_A

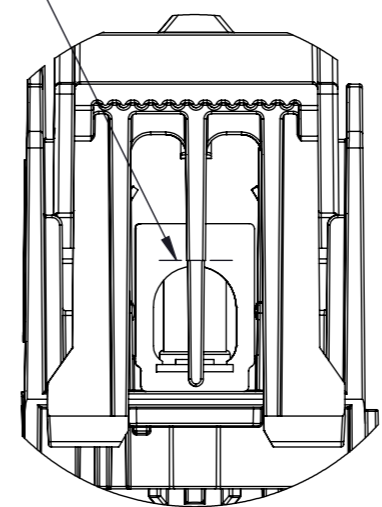
8 7 6 5 4 3 2 1

F  
E  
D  
C  
B  
A

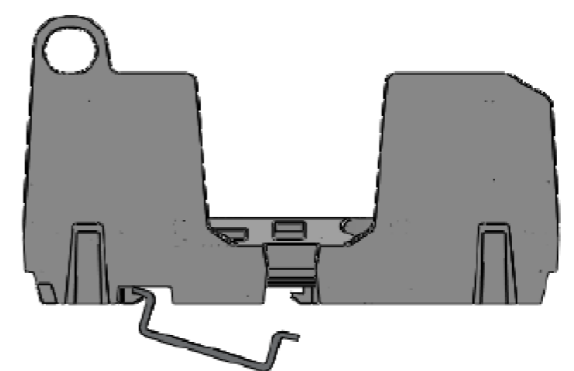
F  
E  
D  
C  
B  
A



CUT COVER TAB AT NOTCH FOR USE WITH WIRES LARGER THAN 8 AWG

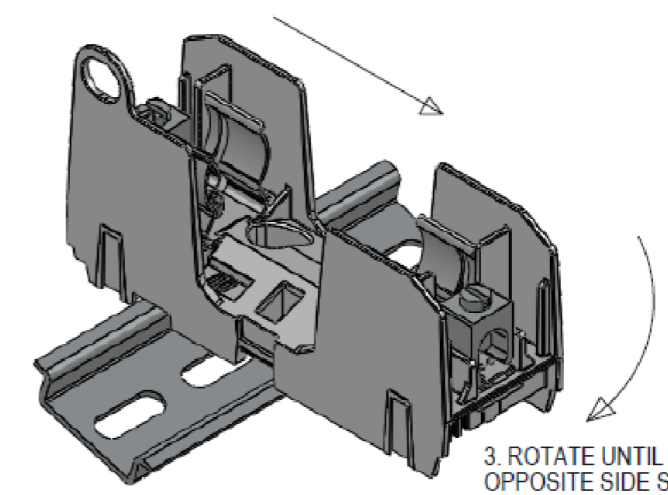


DETAIL A  
SCALE 4 : 3

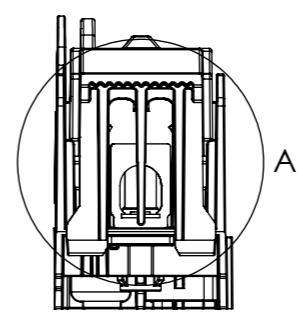
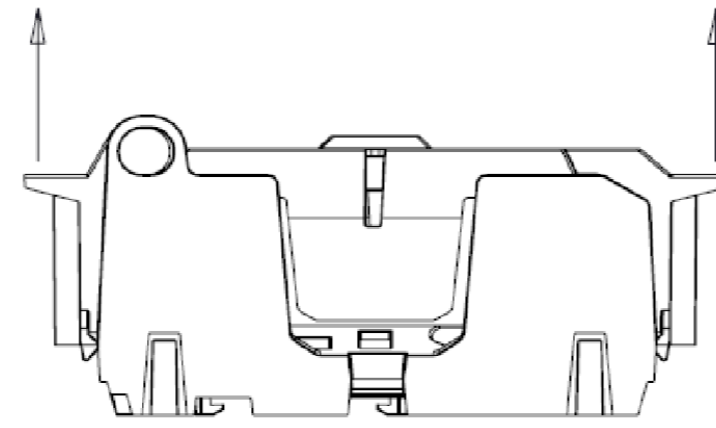
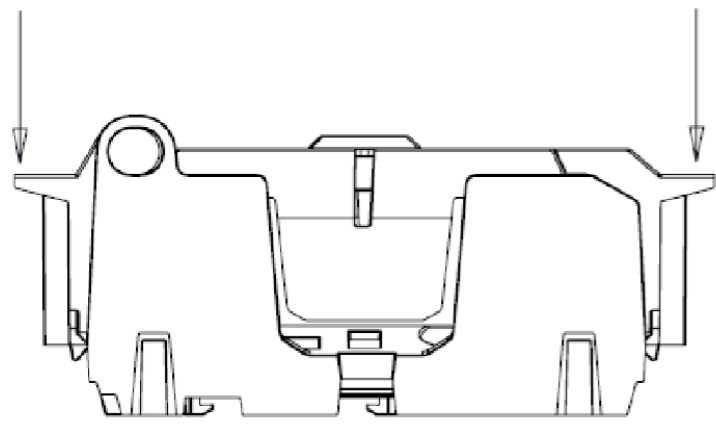


1. HOOK DIN RAIL SNAPS ON ONE SIDE OF THE DIN RAIL

2. PUSH DOWN TO DEFLECT THE SNAPS



3. ROTATE UNTIL THE OPPOSITE SIDE SNAPS ONTO DIN RAIL



**CLOSING**  
PUSH STRAIGHT DOWN UNTIL SNAPS CLICK INTO PLACE

**OPENING**  
PULL STRAIGHT UP AT BOTH OUTSIDE HANDLES

**INSTALLATION ON DIN RAIL**  
END STOPS MAY BE NECESSARY FOR SOME ASSEMBLY CONDITIONS - SEE NOTE 7



TITLE  
**250V / 60AMP CLASS R & H FUSE BLOCK**

SIZE: **A3** DWG NO.: **RM25060-HM25060-CP** REV: **B**

SCALE: 2:3 SHEET 3 OF 3

8 7 6 5 4 3 2 1

A

A