

Job Name		Engineer / Architect	
Job Location		Wholesaler	
Submittal Date		Contractor	

OR1512A/ OR1712A/ OR1715A/ OR1720A & OR3712A/ OR3720A Copper Faucet Supply Kit – Multi-Turn FIP Angle Stop

Use: For use with water in accessible locations only. Not intended for recirculating water systems that produce continuous use temperatures above 115° F. For those applications, use our KT™ series ball stop supply kits.

Design Features:

- **Everything you need.** Kits include a multi-turn stop, escutcheon, and copper riser, everything you need to hookup your water supply
- **✓ No Lead**

Copper riser provides:

- **One-piece construction**
- **Cut-to-length** for clean, professional installation

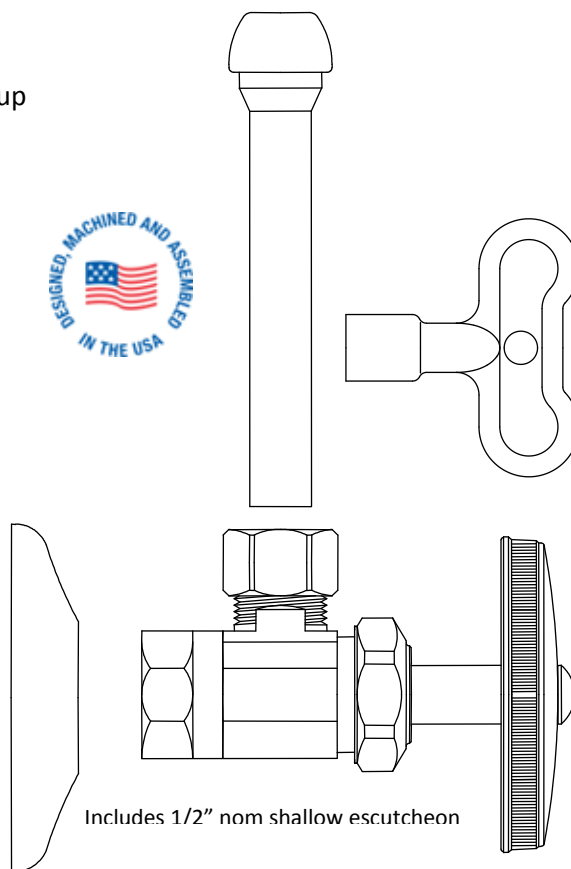
Multi-Turn stop provides:

- **Machined one-piece brass body** provides strength, durability, and long-lasting performance
- **Oval knurled handle** provides a secure grip and smooth on/off operation
- **Easy-to-remove handle** with screw attachment helps protect against accidental stop operation during rough-ins

Operating Specifications:

Temperature: 40° - 140° F
Pressure: 125 PSI maximum

Tubing Diameter: 3/8" OD or 1/2" OD



Includes 1/2" nom shallow escutcheon

Standard

CONNECTOR MATERIAL SPECIFICATIONS	
Tube	Copper, chrome plated
Insert	POM

No Lead

CONNECTOR MATERIAL SPECIFICATIONS	
Tube	Copper, chrome plated
Insert	POM

This specification and all information contained herein is the confidential and exclusive property of BrassCraft Manufacturing, and shall not be disclosed to others without the written consent of BrassCraft Mfg. This specification must be returned to BrassCraft Mfg if requested.



OR1512A/ OR1712A/ OR1715A/ OR1720A & OR3712A/ OR3720A Copper Faucet Supply Kit – Multi-Turn FIP Angle Stop

Standard

STOP MATERIAL SPECIFICATIONS	
Body	Brass, chrome plated
Stem	POM; brass; or brass, chrome plated
Bib & Packing Washer	Rubber
Packing Nut	Brass, chrome plated
Handle	Zinc die cast, plated; ABS, plated; or Polycarbonate
Handle Screw	Steel, plated
Compression Nut	Brass, chrome plated
Compression Sleeve	Brass

No Lead

STOP MATERIAL SPECIFICATIONS	
Body	No Lead brass, chrome plated
Stem	POM; No Lead brass; or No Lead brass, chrome plated
Bib & Packing Washer	Rubber
Packing Nut	Brass, chrome plated
Handle	Zinc die cast, plated; ABS, plated; or Polycarbonate
Handle Screw	Steel, plated
Compression Nut	Brass, chrome plated
Compression Sleeve	Brass

Escutcheon	Stainless steel
Loose Key	Zinc die cast
Lock Shield	Brass, chrome plated
Loose Key Stem	Brass, chrome plated

Escutcheon	Stainless steel
Loose Key	Zinc die cast
Lock Shield	Brass, chrome plated
Loose Key Stem	Brass, chrome plated

**Where specified*

Standard Part Listing:

- OR1512A C 3/8" FIP x 3/8" OD compression stop with 3/8" OD tube x 11-1/2" length riser & shallow escutcheon, chrome plated
- OR1512AN3 C 3/8" FIP x 3/8" OD compression stop with 3/8" OD tube x 11-1/2" length riser & shallow escutcheon, chrome plated, w/3" nipple
- OR1512AN4 C 3/8" FIP x 3/8" OD compression stop with 3/8" OD tube x 11-1/2" length riser & shallow escutcheon, chrome plated, w/4" nipple
- OR1512AZ C 3/8" FIP x 3/8" OD compression stop, brass stem with 3/8" OD tube x 11-1/2" length riser & shallow escutcheon, chrome plated
- OR1520A C 3/8" FIP x 3/8" OD compression stop with 3/8" OD tube x 19-1/2" length riser & shallow escutcheon, chrome plated
- OR1712A C 1/2" FIP x 3/8" OD compression stop with 3/8" OD tube x 11-1/2" length riser & shallow escutcheon, chrome plated
- OR1712AN3 C 1/2" FIP x 3/8" OD compression stop with 3/8" OD tube x 11-1/2" length riser & shallow escutcheon, chrome plated, w/3" nipple
- OR1712AZ C 1/2" FIP x 3/8" OD compression stop, brass stem with 3/8" OD tube x 11-1/2" length riser & shallow escutcheon, chrome plated
- OR1715A C 1/2" FIP x 3/8" OD compression stop with 3/8" OD tube x 14-1/2" length riser & shallow escutcheon, chrome plated
- OR1720A C 1/2" FIP x 3/8" OD compression stop with 3/8" OD tube x 19-1/2" length riser & shallow escutcheon, chrome plated
- OR3512AZ C 3/8" FIP x 1/2" OD compression stop, brass stem with 3/8" OD tube x 11-1/2" length riser & shallow escutcheon, chrome plated
- OR3712A C 1/2" FIP x 1/2" OD compression stop with 1/2" OD tube x 11-1/2" length riser & shallow escutcheon, chrome plated
- OR3712AZ C 1/2" FIP x 1/2" OD compression stop, brass stem with 1/2" OD tube x 11-1/2" length riser & shallow escutcheon, chrome plated

This specification and all information contained herein is the confidential and exclusive property of BrassCraft Manufacturing, and shall not be disclosed to others without the written consent of BrassCraft Mfg. This specification must be returned to BrassCraft Mfg if requested.



OR1512A/ OR1712A/ OR1715A/ OR1720A & OR3712A/ OR3720A Copper Faucet Supply Kit – Multi-Turn FIP Angle Stop

Standard Part Listing Con't:

- | | | |
|--------------------------|-------------|---|
| <input type="checkbox"/> | OR3720AB C | 1/2" FIP x 1/2" OD compression stop, brass stem with 1/2" OD tube x 19-1/2" length riser, shallow escutcheon, & bell flange, chrome plated |
| <input type="checkbox"/> | SR1512A C | 3/8" FIP x 3/8" OD compression stop with 3/8" OD tube x 11-1/2" length riser & shallow escutcheon, chrome plated, loose key |
| <input type="checkbox"/> | SR1512AB C | 3/8" FIP x 3/8" OD compression stop with 3/8" OD tube x 11-1/2" length riser, shallow escutcheon, & bell flange, chrome plated, loose key |
| <input type="checkbox"/> | SR1512AN3 C | 3/8" FIP x 3/8" OD compression stop with 3/8" OD tube x 11-1/2" length riser & shallow escutcheon, chrome plated, w/3" nipple, loose key |
| <input type="checkbox"/> | SR1512AN4 C | 3/8" FIP x 3/8" OD compression stop with 3/8" OD tube x 11-1/2" length riser & shallow escutcheon, chrome plated, w/4" nipple, loose key |
| <input type="checkbox"/> | SR1520A C | 3/8" FIP x 3/8" OD compression stop with 3/8" OD tube x 19-1/2" length riser & shallow escutcheon, chrome plated, loose key |
| <input type="checkbox"/> | SR1712A C | 1/2" FIP x 3/8" OD compression stop with 3/8" OD tube x 11-1/2" length riser & shallow escutcheon, chrome plated, loose key |
| <input type="checkbox"/> | SR1712AB C | 1/2" FIP x 3/8" OD compression stop with 3/8" OD tube x 11-1/2" length riser, shallow escutcheon, & bell flange, chrome plated, loose key |
| <input type="checkbox"/> | SR1712AN3 C | 1/2" FIP x 3/8" OD compression stop with 3/8" OD tube x 11-1/2" length riser & shallow escutcheon, chrome plated, w/3" nipple, loose key |
| <input type="checkbox"/> | SR1715A C | 1/2" FIP x 3/8" OD compression stop with 3/8" OD tube x 14-1/2" length riser & shallow escutcheon, chrome plated, loose key |
| <input type="checkbox"/> | SR1720A C | 1/2" FIP x 3/8" OD compression stop with 3/8" OD tube x 19-1/2" length riser & shallow escutcheon, chrome plated, loose key |
| <input type="checkbox"/> | SR3512A C | 3/8" FIP x 1/2" OD compression stop, brass stem with 3/8" OD tube x 11-1/2" length riser, chrome plated, loose key |
| <input type="checkbox"/> | SR3512AB C | 3/8" FIP x 1/2" OD compression stop, brass stem with 3/8" OD tube x 11-1/2" length riser, shallow escutcheon, & bell flange, chrome plated, loose key |
| <input type="checkbox"/> | SR3712A C | 1/2" FIP x 1/2" OD compression stop with 1/2" OD tube x 11-1/2" length riser & shallow escutcheon, chrome plated, loose key |
| <input type="checkbox"/> | SR3712AN3 C | 1/2" FIP x 1/2" OD compression stop with 1/2" OD tube x 11-1/2" length riser & shallow escutcheon, chrome plated, w/3" nipple, loose key |
| <input type="checkbox"/> | SR3715A C | 1/2" FIP x 1/2" OD compression stop with 1/2" OD tube x 14-1/2" length riser & shallow escutcheon, chrome plated, loose key |
| <input type="checkbox"/> | SR3720A C | 1/2" FIP x 1/2" OD compression stop with 1/2" OD tube x 19-1/2" length riser & shallow escutcheon, chrome plated, loose key |

No Lead Part Listing:

- | | | |
|--------------------------|--------------|---|
| <input type="checkbox"/> | OR1512AX C | 3/8" FIP x 3/8" OD compression stop with 3/8" OD tube x 11-1/2" length riser & shallow escutcheon, chrome plated |
| <input type="checkbox"/> | OR1512AN3X C | 3/8" FIP x 3/8" OD compression stop with 3/8" OD tube x 11-1/2" length riser & shallow escutcheon, chrome plated, w/3" nipple |
| <input type="checkbox"/> | OR1512AZX C | 3/8" FIP x 3/8" OD compression stop, brass stem with 3/8" OD tube x 11-1/2" length riser & shallow escutcheon, chrome plated |
| <input type="checkbox"/> | OR1520AX C | 3/8" FIP x 3/8" OD compression stop with 3/8" OD tube x 19-1/2" length riser & shallow escutcheon, chrome plated |
| <input type="checkbox"/> | OR1712AX C | 1/2" FIP x 3/8" OD compression stop with 3/8" OD tube x 11-1/2" length riser & shallow escutcheon, chrome plated |

This specification and all information contained herein is the confidential and exclusive property of BrassCraft Manufacturing, and shall not be disclosed to others without the written consent of BrassCraft Mfg. This specification must be returned to BrassCraft Mfg if requested.

BrassCraft®

OR1512A/ OR1712A/ OR1715A/ OR1720A & OR3712A/ OR3720A Copper Faucet Supply Kit – Multi-Turn FIP Angle Stop

No Lead Part Listing Con't:

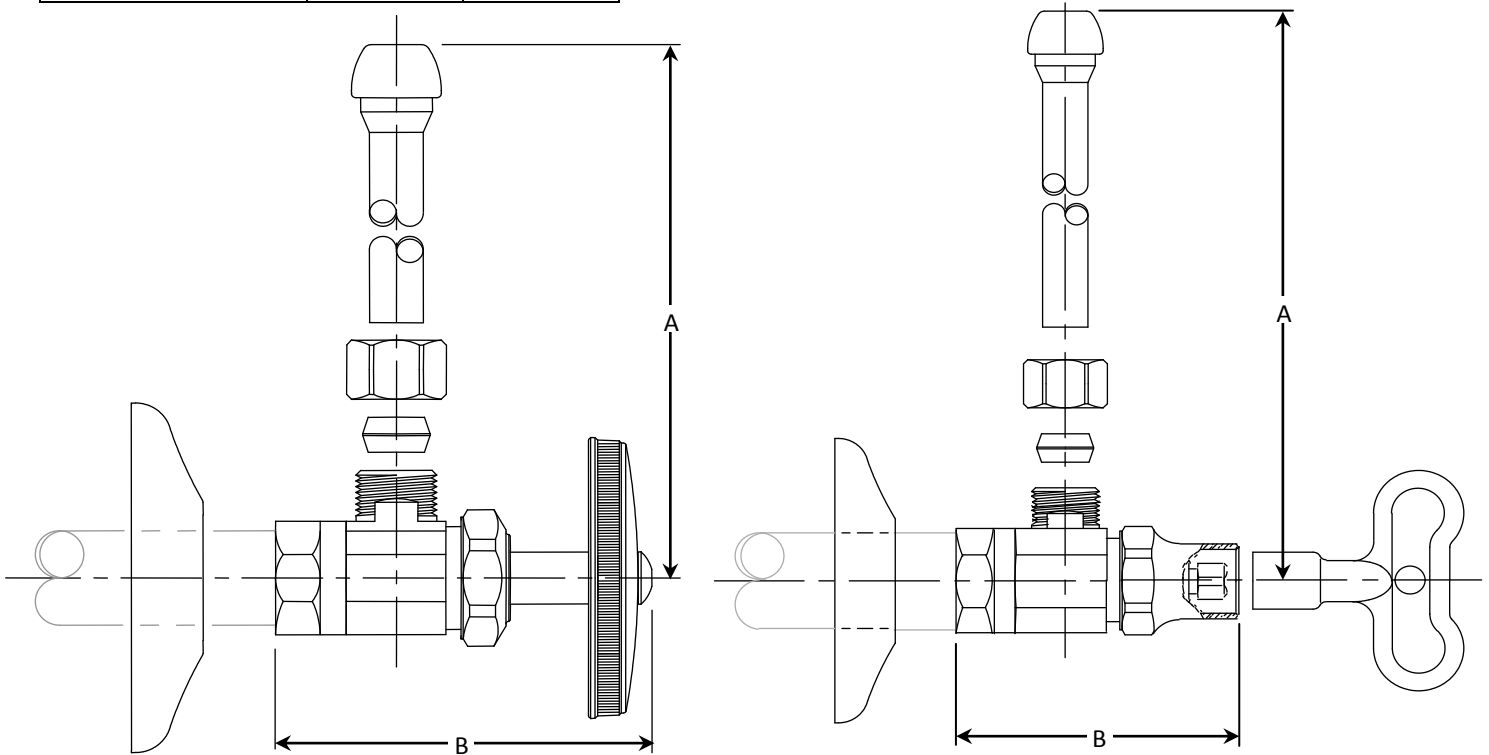
- | | | |
|--------------------------|--------------|---|
| <input type="checkbox"/> | OR1712AN3X C | 1/2" FIP x 3/8" OD compression stop with 3/8" OD tube x 11-1/2" length riser & shallow escutcheon, chrome plated, w/3" nipple |
| <input type="checkbox"/> | OR1712AZX C | 1/2" FIP x 3/8" OD compression stop, brass stem with 3/8" OD tube x 11-1/2" length riser & shallow escutcheon, chrome plated |
| <input type="checkbox"/> | OR1715AX C | 1/2" FIP x 3/8" OD compression stop with 3/8" OD tube x 14-1/2" length riser & shallow escutcheon, chrome plated |
| <input type="checkbox"/> | OR1720AX C | 1/2" FIP x 3/8" OD compression stop with 3/8" OD tube x 19-1/2" length riser & shallow escutcheon, chrome plated |
| <input type="checkbox"/> | OR3712AX C | 1/2" FIP x 1/2" OD compression stop with 1/2" OD tube x 11-1/2" length riser & shallow escutcheon, chrome plated |
| <input type="checkbox"/> | OR3712AZX C | 1/2" FIP x 1/2" OD compression stop, brass stem with 1/2" OD tube x 11-1/2" length riser & shallow escutcheon, chrome plated |
| <input type="checkbox"/> | SR1512AX C | 3/8" FIP x 3/8" OD compression stop with 3/8" OD tube x 11-1/2" length riser & shallow escutcheon, , chrome plated, loose key |
| <input type="checkbox"/> | SR1512ABX C | 3/8" FIP x 3/8" OD compression stop with 3/8" OD tube x 11-1/2" length riser, shallow escutcheon, & bell flange, chrome plated, loose key |
| <input type="checkbox"/> | SR1512AN3X C | 3/8" FIP x 3/8" OD compression stop with 3/8" OD tube x 11-1/2" length riser & shallow escutcheon, chrome plated, w/3" nipple, loose key |
| <input type="checkbox"/> | SR1520AX C | 3/8" FIP x 3/8" OD compression stop with 3/8" OD tube x 19-1/2" length riser & shallow escutcheon, , chrome plated, loose key |
| <input type="checkbox"/> | SR1712AX C | 1/2" FIP x 3/8" OD compression stop with 3/8" OD tube x 11-1/2" length riser & shallow escutcheon, chrome plated, loose key |
| <input type="checkbox"/> | SR1712AN3X C | 1/2" FIP x 3/8" OD compression stop with 3/8" OD tube x 11-1/2" length riser & shallow escutcheon, chrome plated, loose key, w/3" nipple |
| <input type="checkbox"/> | SR1715AX C | 1/2" FIP x 3/8" OD compression stop with 3/8" OD tube x 14-1/2" length riser & shallow escutcheon, chrome plated, loose key |
| <input type="checkbox"/> | SR1720AX C | 1/2" FIP x 3/8" OD compression stop with 3/8" OD tube x 19-1/2" length riser & shallow escutcheon, chrome plated, loose key |
| <input type="checkbox"/> | SR3512AX C | 3/8" FIP x 1/2" OD compression stop, brass stem with 3/8" OD tube x 11-1/2" length riser, chrome plated, loose key |
| <input type="checkbox"/> | SR3512ABX C | 3/8" FIP x 1/2" OD compression stop, brass stem with 3/8" OD tube x 11-1/2" length riser, shallow escutcheon, & bell flange, chrome plated, loose key |
| <input type="checkbox"/> | SR3712AX C | 1/2" FIP x 1/2" OD compression stop with 1/2" OD tube x 11-1/2" length riser & shallow escutcheon, chrome plated, loose key |
| <input type="checkbox"/> | SR3715AX C | 1/2" FIP x 1/2" OD compression stop with 1/2" OD tube x 14-1/2" length riser & shallow escutcheon, chrome plated, loose key |
| <input type="checkbox"/> | SR3720AX C | 1/2" FIP x 1/2" OD compression stop with 1/2" OD tube x 19-1/2" length riser & shallow escutcheon, chrome plated, loose key |

This specification and all information contained herein is the confidential and exclusive property of BrassCraft Manufacturing, and shall not be disclosed to others without the written consent of BrassCraft Mfg. This specification must be returned to BrassCraft Mfg if requested.

BrassCraft®

OR1512A/ OR1712A/ OR1715A/ OR1720A & OR3712A/ OR3720A Copper Faucet Supply Kit – Multi-Turn FIP Angle Stop

PART DIMENSIONS (Inches)		
Model	DIM. A	DIM. B
OR1512A /AZ	12.00	2.62
OR1520A	15.00	2.62
OR1712A /AZ	12.00	2.62
OR1715A	15.00	2.62
OR1720A	20.00	2.62
OR3712A /AZ	12.00	2.62
OR3720AB	20.00	2.62
SR1512A	12.00	2.28
SR1712A	12.50	2.34
SR3712A	12.00	2.34



Listings & Certifications:

- IAPMO listed to ASME A112.8.1 / CSA B125.1 (File # 0645)
- CSA listed to ASME A112.8.1 / CSA B125.1 (File # 204593)
- No Lead product CSA listed to Low Lead Content Certification Program – Plumbing Products Class 6853-01



This specification and all information contained herein is the confidential and exclusive property of BrassCraft Manufacturing, and shall not be disclosed to others without the written consent of BrassCraft Mfg. This specification must be returned to BrassCraft Mfg if requested.

BrassCraft®