

**For Residential and Commercial Applications**

|                |  |                      |  |
|----------------|--|----------------------|--|
| Job Name       |  | Engineer / Architect |  |
| Job Location   |  | Wholesaler           |  |
| Submittal Date |  | Contractor           |  |

## MAU2 Male Gas Adapter - 5/8" OD (15/16-16 Thread) x Male Iron Pipe

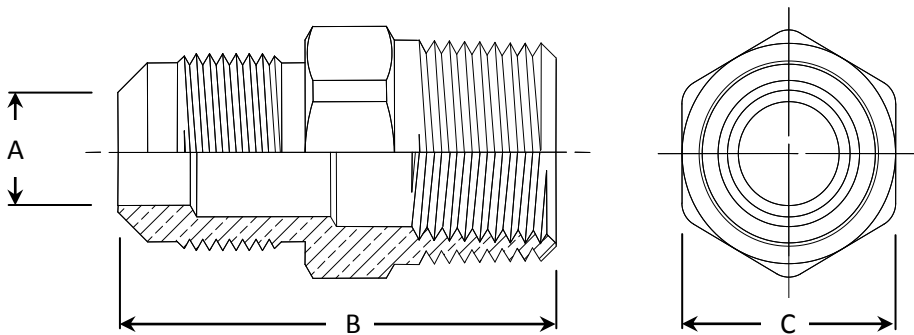
**Use:** For use with natural, manufactured, mixed, liquefied petroleum gases and LP gas-air mixtures.

**Operating Specifications:**

**Temperature:** -40° to 150° F  
**Pressure:** Up to 1/2 psi maximum

| MATERIAL SPECIFICATIONS |   |
|-------------------------|---|
| <b>Brass Bodies</b>     | <b>C36000 brass</b>                         |
| <b>Steel Bodies</b>     | <b>Blue zinc plated 12L14 or 1010 steel</b> |

| PART DIMENSIONS (Inches) |        |        |        |
|--------------------------|--------|--------|--------|
| Model Prefix             | DIA. A | DIM. B | DIM. C |
| MAU2-10-12               | 0.50   | 2.06   | 1-1/16 |
| MAU2-10-8                | 0.50   | 2.00   | 15/16  |



Brass Models



**Part Listing:**

- MAU2-10-12      5/8" OD Flare (15/16-16 Thread) x 3/4" M.I.P. (1/2" F.I.P. tapped), brass
- MAU2-10-12 B    5/8" OD Flare (15/16-16 Thread) x 3/4" M.I.P. (1/2" F.I.P. tapped), brass, bulk
- MAU2-10-12 K5   5/8" OD Flare (15/16-16 Thread) x 3/4" M.I.P. (1/2" F.I.P. tapped), brass, 5 per bag
- MAU2-10-12S    5/8" OD Flare (15/16-16 Thread) x 3/4" M.I.P. (1/2" F.I.P. tapped), steel
- MAU2-10-8      5/8" OD Flare (15/16-16 Thread) x 1/2" M.I.P., brass
- MAU2-10-8 B    5/8" OD Flare (15/16-16 Thread) x 1/2" M.I.P., brass, bulk
- MAU2-10-8 K5   5/8" OD Flare (15/16-16 Thread) x 1/2" M.I.P., brass, 5 per bag
- MAU2-10-8S    5/8" OD Flare (15/16-16 Thread) x 1/2" M.I.P., steel
- MAU2-10-8S B   5/8" OD Flare (15/16-16 Thread) x 1/2" M.I.P., steel, bulk

**Listings & Certifications:**

- For use with CSA listed ANSI Z21.24 / CSA 6.10 connectors
- For use with CSA listed ANSI Z21.75 / CSA 6.27 connectors

*This specification and all information contained herein is the confidential and exclusive property of BrassCraft Manufacturing, and shall not be disclosed to others without the written consent of BrassCraft. This specification must be returned to BrassCraft if requested.*

