

For Residential and Commercial Applications

Job Name		Engineer / Architect	
Job Location		Wholesaler	
Submittal Date		Contractor	

M40-10 Gas Flare Cap - 5/8" OD (15/16-16 Thread)

Use: For use with natural, manufactured, mixed, liquefied petroleum gases and LP gas-air mixtures.

Operating Specifications:

Temperature: -40° to 150° F

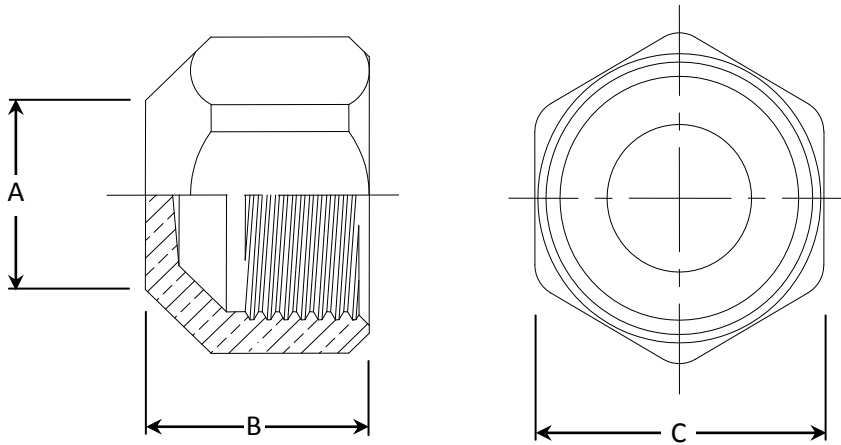
Pressure: Up to 1/2 psi maximum

MATERIAL SPECIFICATIONS

Brass Bodies	C36000 brass
---------------------	---------------------

PART DIMENSIONS (Inches)

Model	DIA. A	DIM. B	DIM. C
M40-10	.710	.697	1-1/16



Part Listing:

- M40-10 5/8" OD Flare (15/16-16 thread) cap, brass

Listings & Certifications:

- For use with CSA listed ANSI Z21.24 / CSA 6.10 connectors and fittings
- For use with CSA listed ANSI Z21.75 / CSA 6.27 connectors and fittings
- For use with CSA listed ANSI Z21.15 / CSA 9.1 gas ball valves

This specification and all information contained herein is the confidential and exclusive property of BrassCraft Manufacturing, and shall not be disclosed to others without the written consent of BrassCraft. This specification must be returned to BrassCraft if requested.

