

## HONOLULU PORCELAIN ENAMEL 46 1/2" X 27" X 15 1/4" BATHTUB



011-2378 RH DRAIN, SLIP RESISTANT  
011-2379 LH DRAIN, SLIP RESISTANT

### *DESCRIPTION:*

The Honolulu is a 46 1/2" x 27" x 15 1/4" bathtub – used when space is limited and a bath is desired. The Honolulu bathtub features a traditional design with a standard “straight” back support. Construction is one piece seamless steel with an acid-resistant porcelain enamel finish. The Honolulu weighs 56 lbs., which allows easy transportation, handling, and installation. The Honolulu does not require a support pad. This product is compatible or complies with ASME A112.19.1/CSA B45.2 (Standard for Enameled Steel Plumbing Fixtures), ADA (American Disabilities Act), ASTM F 462 (Safety Specification for Slip Resistant Bathing Facilities), ASTM E 162 (Test Method for Surface Flammability), ASTM E 662 (Test Method for Smoke Density), ANSI Z124.1.2sec5.6 (Ignition Test), WW-P 541 (U.S. Military Federal Specification), HUD-FHA-VA, LEED, and the Buy American Act, as applicable when installed accordingly. Available in white, bone or biscuit colors with a right and left hand drain. Made in the USA.

Weight: 56 lbs

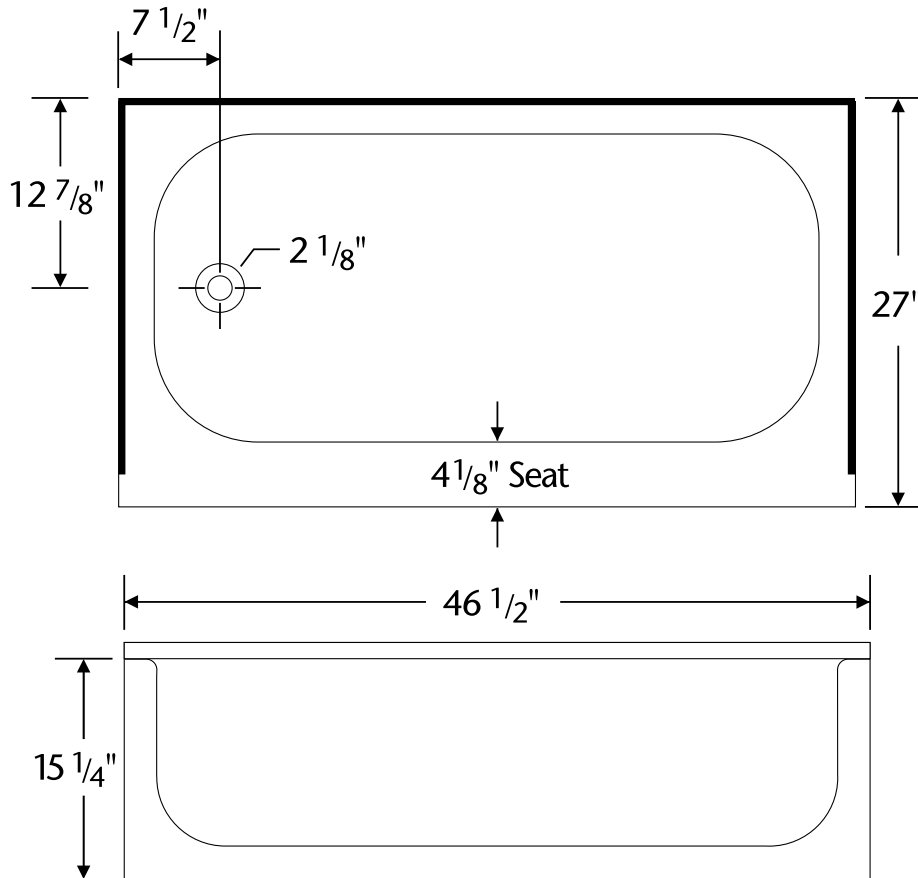


1400 Park Street • P.O. Box 18010 • Evansville, IN 47719-1010 • (812) 423-5401 • Fax (812) 429-2254 • [www.bootz.com](http://www.bootz.com) • [webmaster@bootz.com](mailto:webmaster@bootz.com)

# HONOLULU PORCELAIN ENAMEL 46 1/2" X 27" X 15 1/4" BATHTUB

## HONOLULU 4' Bathtub 46 1/2" x 27" x 15 1/4" Standard Outlet

011-2378 RH Drain, slip resistant  
011-2379 LH Drain, slip resistant



**Complies with:**  
All fixtures are compatible or comply with ANSI, ASME, CSA, WW-P 541, HUD-FHA-VA, LEED and the "Buy America Act" where applicable when installed accordingly.

**Standard Features:**  
Slip resistant bottom  
Space-conscious size  
Chemical-resistant  
High-gloss  
Sanitary finish  
Industry-standard drain and overflow holes  
**Made in the USA**

All Dimensions +/- 1/8" unless otherwise noted.  
Dimensions shown are for reference.  
Actual dimensions may vary slightly and should be checked prior to installation  
SS 5/14

