

## FEATURED MODEL

441598 1-3/4 REVERSE, 9-1/2" bowl depths, ANTHRACITE

## ADDITIONAL

- 441600 1-3/4 REVERSE, 9-1/2" bowl depths, CINDER
- 441601 1-3/4 REVERSE, 9-1/2" bowl depths, METALLIC GRAY
- 441606 1-3/4 REVERSE, 9-1/2" bowl depths, BISCUIT
- 441607 1-3/4 REVERSE, 9-1/2" bowl depths, BISCOTTI
- 441609 1-3/4 REVERSE, 9-1/2" bowl depths, CAFE BROWN
- 441608 1-3/4 REVERSE, 9-1/2" bowl depths, TRUFFLE
- 441603 1-3/4 REVERSE, 9-1/2" bowl depths, WHITE

## FEATURES

- Required outside cabinet: 36"
- 80% solid granite
- Heat resistant up to 536°F
- Unsurpassed cleanability backed by industry leading 7 patents!
- Resistant to scratches, stains and all household acids and alkali solutions
- Template provided with approximate 1/8" reveal
- Under mount clips included
- Limited lifetime warranty

## OPTIONAL ACCESSORIES

Sink Grids: 231342 (left), 231343 (right)

## CODE/STANDARDS COMPLIANCE

ANSI Z124.6-97  
IAPMO/UPC listed

## WARRANTY

BLANCO'S SILGRANIT II Series sinks feature a LIMITED LIFETIME WARRANTY to be free of all manufacturing defects under normal use. See our complete warranty for details.

While BLANCO endeavors to provide accurate information, all dimensions are nominal, cannot be guaranteed, and are subject to change or cancellation. BLANCO assumes no responsibility for use of superseded or voided specifications.

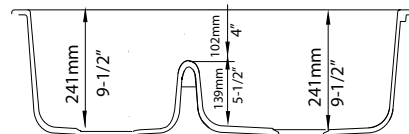
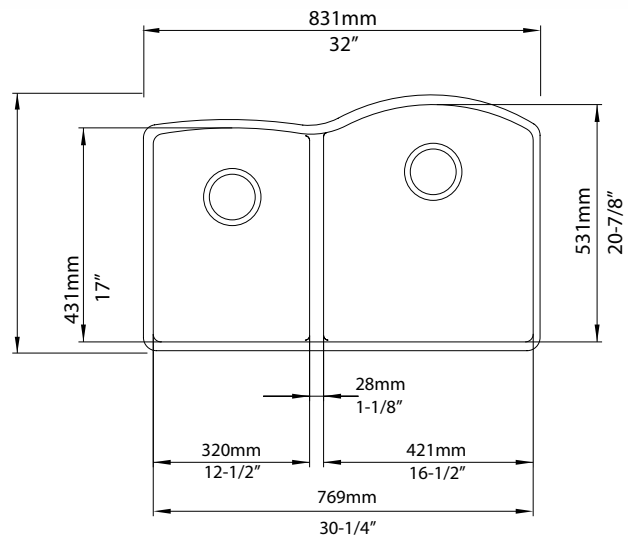


Model 441598 shown

## NOMINAL DIMENSIONS

OVERALL	CUTOUT SIZE	BOWL DEPTH		DRAIN DIAMETER
		LEFT	RIGHT	
32" x 20-7/8"	Template provided with approximate 1/8" reveal	9-1/2"	9-1/2"	3-1/2"

DXF cutout templates available on our website



**BLANCO AMERICA**

800.451.5782

www.blancoamerica.com

© 2014 BLANCO AMERICA

1/14

SPEC-003