

FEATURED MODEL

441506 Pull-Down Spray, CHROME

ADDITIONAL MODELS

441507 Pull-Down Spray, STAINLESS FINISH

FEATURES

- Solid brass body
- Dual pull-down spray
- Ceramic disk cartridge
- 2.2 GPM flow rate
- Installation in a 1-3/8" hole
- 180 degree spout swivel
- 2-1/4" maximum deck thickness
- * Stainless steel finish is a color co-ordinate and not actually made of or in stainless steel

OPTIONAL ACCESSORIES

Napa Bar Faucet 441759 (Chrome)
Napa Soap Dispenser 441755 (Chrome)

CODE/STANDARDS COMPLIANCE

ASME A112.18.1-2011
IAPMO listed
CMR 248 - MA

AB1953 Lead Free

WARRANTY

BLANCO'S kitchen and bar faucets feature a LIMITED LIFETIME WARRANTY to be free of all manufacturing defects under normal use. See our complete warranty for details.

While BLANCO endeavors to provide accurate information, all dimensions are nominal, cannot be guaranteed, and are subject to change or cancellation. BLANCO assumes no responsibility for use of superseded or voided specifications.

JOB INFORMATION

Job Name: _____

Contact: _____

Date Specified: _____

Specifier: _____

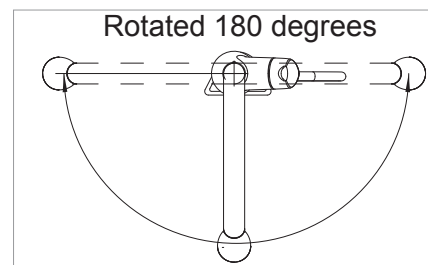
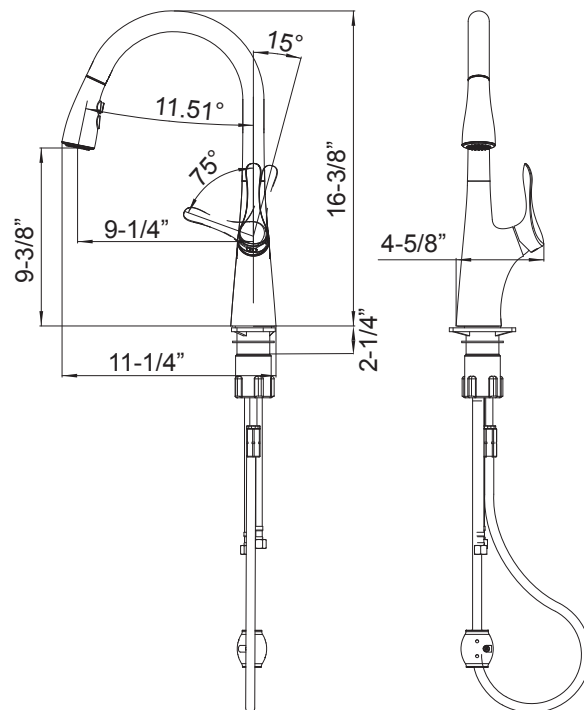
Contractor: _____



NOMINAL DIMENSIONS

Model 441506 shown

REACH	SPOUT HEIGHT	FAUCET HEIGHT
9-1/4"	9-3/8"	16-3/8"



See next page for exploded parts drawing and parts list.

BLANCO AMERICA

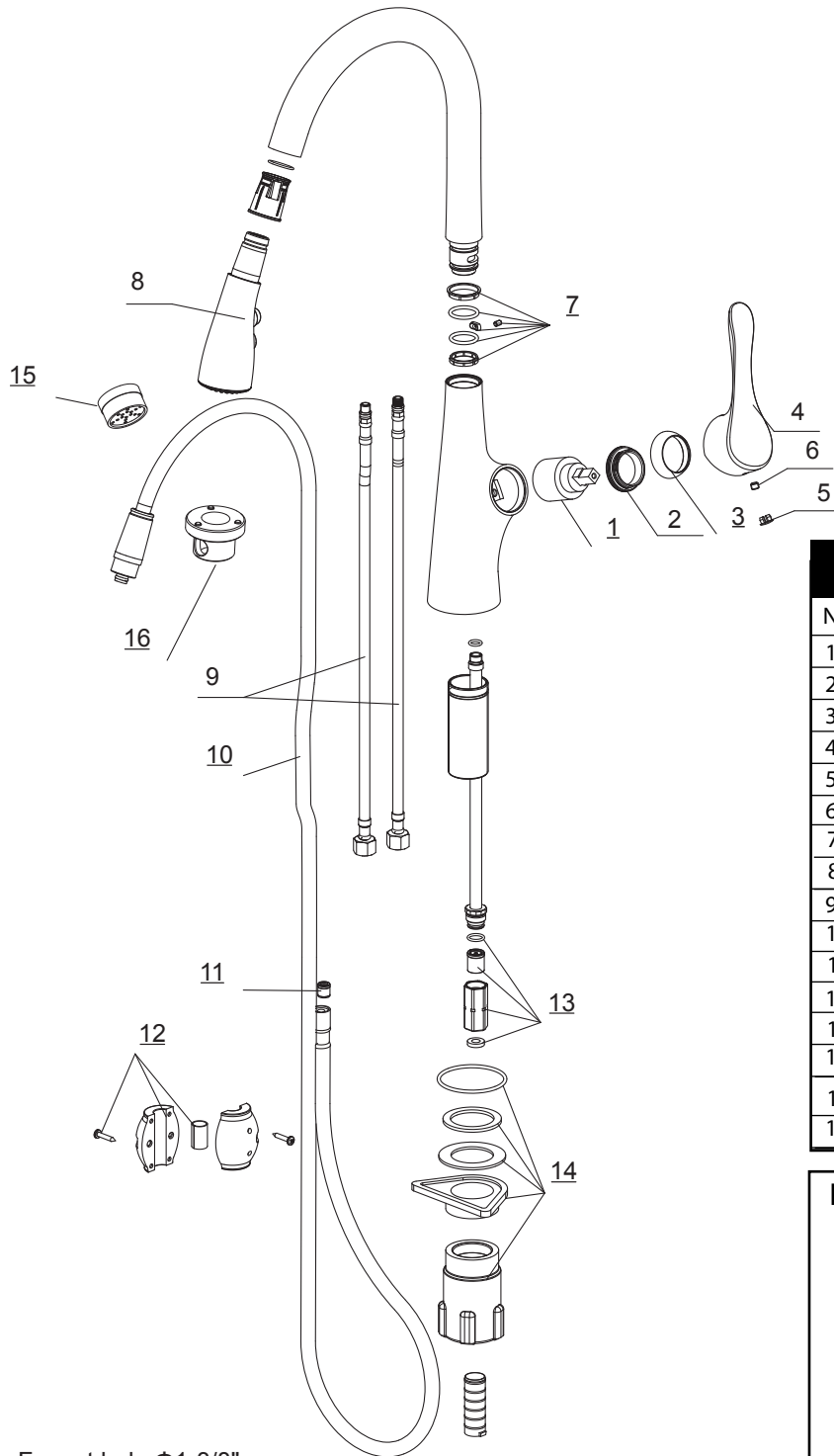
800.451.5782

www.blancoamerica.com

© 2015 BLANCO AMERICA

9/15

SPEC-004



REPAIR PART GUIDE

Num.	Description	Part #
1	Cartridge	441545
2	Cartridge Lock Nut	441544
3	Cartridge cap - Chrome	441557
4	Handle - Chrome	441559
5	Screw cap - Chrome	441540
6	Handle screw	441539
7	Set of O-rings and screw	441561
8	Handspray - Chrome	441568
9	Supply lines	441566
10	Spray hose	441574
11	Check valve	441555
12	Weight	441556
13	Check valve with flow restrictor	441572
14	Mounting kit	441548
15	Aerator	442083
16	Aerator Tool	441957

Need to Change a Faucet Cartridge?



Scan this QR code
to see our how-to video

For faucet technical support or questions,
please e-mail us at faucets@blancoamerica.com