

Installing Dies

Insert Dies for TBM6H Hydraulic Head and Type OD Tools



| Cat. No. | Description or Colour Codes | Cat. No. | Description or Colour Codes |
|--------------|-----------------------------|----------------|-----------------------------|
| OJB | 0 | BY37 | 840 (EEI 11A) |
| DBL | D | BY55 | Wire Cutter (2/0 max.) |
| BY39 | 510 Hex (non-bow) | BY63 | Orange (Nicopress) |
| BY41 | 635 Hex (non-bow) | BY65 | Plum |
| BY43 | 747 Hex (non-bow) | BY15C* | 7/32 Red |
| BY45 | T | BY17C* | 1/4 Blue |
| BY47 | K | BY19C* | 5/16 Grey |
| BY49 | B | BY21C* | 3/8 Brown |
| BY51 | J | BY23C* | 1/2 Pink |
| BY53 | P | BY24C* | 1/2-1 Gold |
| BY13 | 3/16 | BY25C* | 9/16 Tan/Orange |
| BY15* | 7/32 (EEI-1 index 236) | BY27C* | 11/16 Yellow |
| BY17 | 1/4 | BY31C* | 5/8-1 Olive/Purple |
| BY19 | 5/16 (index 161.242) | BY32C* | Ruby |
| BY21 | 3/8 | BY35C* | 781 White |
| BY23 | 1/2 (index 163) | BY37C* | 840 Red |
| BY25 | 9/16 | BY28C* | 17/32 Black |
| BY27 | 11/16 | BY53C* | P Green |
| BY29 | 19/32 | BG-1-BB | Canvas Bag for OD58 |
| BY31 | 5/8-1 (index 165) | ODH1 | Insulating Head Cover |
| BY33 | 737 | - | - |
| BY35 | 781 | - | - |

*Can also be used with OD58 tool.

Insert Dies for Hydraulic Heads* JB12B, 13100A, TBM14M, TBM14CR-LI, TBM14RH, TBM15I, TBM15CR-LI



| Cat. No. | Description or Colour Codes | Cat. No. | Description or Colour Codes |
|--------------|-----------------------------|---------------|-----------------------------|
| B58CS | 5/8 Die Set | B75AH | - |
| HO | "O" Die Set | B76AH | - |
| HD | "D" Die Set | B76SH | - |
| HN | "N" Die Set | B06CHI | Pink/Gold #1/0 AWG Cu |
| HU | "U" Die Set | B08CH | Tan/Orange #3/0 AWG Cu |
| HBKC | BKC | B09CH | Olive/Purple #4/0 AWG Cu |
| HBKT | BKT | B11CH | Red/Blue #350/400 kcmil Cu |
| B24EA | EEI 8A | B10SH | - |
| B30EA | EEI 9A | B05CH | Green #1 AWG Cu |
| B39EA | EEI 10A | B26CH | Ruby/Yellow #250 kcmil Cu |
| B49EA | EEI 11A (840) | B71CH | Red #8 AWG Cu |
| B61EA | EEI 12A | B72CH | Black #2/0 AWG Cu |
| B80EA | EEI 13A | B73CH | Blue #6 AWG Cu |
| B20AH | EEI14A | B74CH | Grey #4 AWG Cu |
| B71AH | - | B75CH | Brown #2 AWG Cu |
| B72AH | - | B76CH | Pink #500 kcmil Al |
| B73AH | - | B10CHI | White #300 kcmil Cu |
| B74AH | - | B12CHI | Brown #500 kcmil Cu |

*Adaptor 15500-TB required with T&B 15-Ton tools.

Cross-Reference for 21940 (40-Ton) Tool Dies

| Die Designation | Die Code | Cat. No. | Burdly | |
|-----------------|-----------|---------------|-------------|-------------|
| | | | Copper | Aluminum |
| - | 66 | 11409 | 30RT | 28RT |
| 840 | 71 / 76 | 11363 / 11410 | 31RT / 32RT | 29RT / 30RT |
| 1 | 87 | 11423 | 34RT | 31RT |
| 1-1/8 | 94 / 99 | 11364 / 11424 | 36RT / 38RT | 32RT / 34RT |
| - | 106 | 74506 | 39RT | 36RT |
| 1-5/16 | 107 / 112 | 11425 / 11426 | 40 RT | 40 RT |
| 1-1/2 | 115 / 125 | 11308 / 11416 | 44 RT | 39 ART |
| 1-5/8 | 140 | 11418 | - | 40RT |
| 1-3/4 | 150 / 161 | 11419 / 11420 | 46RT | 44RT |
| - | 175 | 11421 | - | - |

Installing Dies

Dies for Standard Lugs and Splices

| Connector Size | | | Color Code | TBM6H | | TBM6PCR-LI, TBM62PCR-LI, TBM62CR-LI, TBM6UNICR-LI | | | | TBM15CR-LI/TBM15I*** | | TBM12PCR-LI | | TBM14M, TB14MC, 13100A, JB12A TBM14CR-LI | |
|----------------|----------------|------------|------------|--------------|--------------|---|--------------|-----------------------|-----------------------|----------------------|--------------|--------------|--------------|--|--------------|
| Code Copper | Flex /24 | Al/Cu | | Die Cat. No. | Die Code No. | Die Cat. No. | Die Code No. | Hex-Flex Die Cat. No. | Hex-Flex Die Code No. | Die Cat. No. | Die Code No. | Die Cat. No. | Die Code No. | Die Cat. No. | Die Code No. |
| 8 AWG | 37/24 | 10 AWG | Red | 6TON21SS | 21 | 6TON21SS | 21 | 6TON21XSS | 21X | 15520SS | 21 | 15520SS | 21 | 15520XSS | 21X |
| 6 AWG | 61/24 | 8 AWG | Blue | 6TON24SS | 24 | 6TON24SS | 24 | 6TON24XSS | 24X | 15522SS | 24 | 15522SS | 24 | 15522XSS | 24X |
| 4 AWG | 91/24 | 6 AWG | Grey | 6TON29SS | 29 | 6TON29SS | 29 | 6TON29XSS | 29X | 15527SS | 29 | 15527SS | 29 | 15527XSS | 29X |
| 2 AWG | 125/24 | - | Brown | 6TON33SS | 33 | 6TON33SS | 33 | 6TON33XSS | 33X | 15528SS | 33 | 15528SS | 33 | 15528XSS | 33X |
| 1 AWG | 150/24 | 4 AWG | Green | 6TON37SS | 37 | 6TON37SS | 37 | 6TON37XSS | 37X | 15513SS | 37 | 15513SS | 37 | 15513XSS | 37X |
| 1/0 | 225/24 | 2 AWG | Pink | 6TON42SS | 42 | 6TON42SS | 42 | 6TON42XSS | 42X | 15508SS | 42 | 15508SS | 42 | 15508XSS | 42X |
| 2/0 | 275/24 | - | Black | 6TON45SS | 45 | 6TON45SS | 45 | 6TON45XSS | 45X | 15526SS | 45 | 15526SS | 45 | 15526XSS | 45X |
| 3/0 | 325/24 | - | Orange | 6TON50SS | 50H | 6TON50SS | 50H | 6TON50XSS | 50X | 15530SS | 50 | 15530SS | 50 | 15530XSS | 50X |
| 4/0 | 450/24 | - | Purple | 6TON54SS | 54H | 6TON54SS | 54H | 6TON54XSS | 54X | 15511SS | 54 | 15511SS | 54 | 15511XSS | 54X |
| 250 kcmil | 550/24 | - | Yellow | 6TON62SS | 62H | 6TON62SS | 62H | 6TON62XSS | 62X | 15510SS | 62 | 15510SS | 62 | 15510XSS | 62X |
| | | 1 AWG | Gold | 6TON45SS | 45 | 6TON45SS | 45 | | | 15526SS | 45 | 15526SS | 45 | | |
| | | 1/0 | Tan | 6TON50SS | 50H | 6TON50SS | 50H | | | 15530SS | 50 | 15530SS | 50 | | |
| | | 2/0 | Olive | 6TON54SS | 54H | 6TON54SS | 54H | | | 15511SS | 54 | 15511SS | 54 | | |
| | | 3/0 | Ruby | 6TON60SS | 60H | 6TON60SS | 60H | | | 15532SS | 60 | 15532SS | 60 | | |
| 300 kcmil | | 4/0 | White | 6TON66SS | 66H | 6TON66SS | 66H | 6TON66X | 66X | 15534SS | 66 | 15534SS | 66 | 15534XSS | 66X |
| 350 kcmil | 775/24 (Short) | 250 kcmil | Red | 6TON71SS | 71H | 6TON71SS | 71H | | | 15514SS | 71 | 15514SS | 71 | 15514XSS | 71X |
| 400 kcmil | 775/24 (Long) | 300 kcmil | Blue | 6TON76SS | 76H | 6TON76SS | 76H | | | 15512SS | 76 | 15512SS | 76 | 15512XSS | 76X |
| | 925/24* | | | 6TON80SS | 80H | 6TON80SS | 80H | | | 15517SS | 80 | 15517SS | 80H | 15517XSS | 80X |
| | | | | | | | | | | 15606 | 80 | | | | |
| 500 kcmil | | 350 kcmil | Brown | 6TON87SS | 87H | 6TON87SS | 87H | | | 15506SS | 87 | 15506SS | 87H | 15506XSS | 87X |
| 600 kcmil | 1100/24 | 400 kcmil | Green | 6TON94SS | 94H | 6TON94SS | 94H | | | 15536SS | | 15536SS | 94H | 15536XSS | 84X |
| | 1325/24** | | Pink | | | | | | | | | | | | |
| 700 kcmil | | 500 kcmil | Pink | | 99H | | | | | 15505SS | | 15505SS | 99H | | |
| 750 kcmil | | 650 kcmil | Black | | 106H | | | | | 15515SS | | 15515SS | 106H | | |
| 800 kcmil | | | Orange | | 107H | | | | | 15540SS | | 15540SS | 107H | | |
| | | 700 kcmil | Purple | | 112H | | | | | | | | | | |
| 900 kcmil | 195/24 | 750 kcmil | Yellow | | 115H | | | | | 15504SS | | 15504SS | 115H | | |
| 1000 kcmil | | 800 kcmil | - | | | | | | | | | | | | |
| 1250 kcmil | | 1000 kcmil | - | | | | | | | | | | | | |
| 1500 kcmil | | | - | | | | | | | | | | | | |

* Standard barrel only. Long barrel requires Brown 87H.

** Standard barrel only. Long barrel requires Black 106H.

Dies for Standard Lugs and Splices (OD58)

| Connector Size | | | Color-Keyed Die Colour | OD58 | |
|----------------|---------|--------|------------------------|-------------|--------------|
| Code Copper | Flex/24 | Al/Cu | | Die Cat No. | Die Code No. |
| 8 AWG | 37/24 | 10 AWG | Red | BY15C | 21 |
| 6 AWG | 61/24 | 8 AWG | Blue | BY17C | 24 |
| 4 AWG | 91/24 | 6 AWG | Grey | BY19C | 29 |
| 2 AWG | 125/24 | - | Brown | BY21C | 33 |
| 1AWG | 150/24 | 4 AWG | Green | BY53C | 37 |
| 1/0 | 225/24 | 2 AWG | Pink | BY23C | 42 |
| 2/0 | 275/24 | - | Black | BY28C | 45 |
| 3/0 | 325/24 | - | Orange | BY25C | 50 |
| 4/0 | 450/24 | - | Purple | BY27C | 54 |
| 250 kcmil | 550/24 | - | Yellow | BY31C | 62 |
| | | 1AWG | Gold | BY24C | 45 |
| | | 1/0 | Tan | BY25C | 50 |
| | | 2/0 | Olive | BY31C | 54 |
| | | 3/0 | Ruby | BY32C | 60 |

Installing Dies

Dies for Lugs and Splices

| Connector Size | | | Color Code | TBM151***, TBM15CR-LI | | | | | | | | 21940 | |
|----------------|----------------|------------|------------|-----------------------|--------------|-------------------|-------------------|-----------------------|-----------------------|----------------------------|----------------------------|--------------|--------------|
| Code Copper | Flex /24 | Al/Cu | | Die Cat. No. | Die Code No. | Full Die Cat. No. | Full Die Code No. | Hex-Flex Die Cat. No. | Hex-Flex Die Code No. | Hex-Flex Full Die Cat. No. | Hex-Flex Full Die Code No. | Die Cat. No. | Die Code No. |
| 8 AWG | 37/24 | 10 AWG | Red | 15520SS | 21 | 15520F | 21 | 15520XSS | 21X | | | 21 | |
| 6 AWG | 61/24 | 8 AWG | Blue | 15522SS | 24 | 15522F | 24 | 15522XSS | 24X | | | 24 | |
| 4 AWG | 91/24 | 6 AWG | Grey | 15527SS | 29 | 15527F | 29 | 15527XSS | 29X | | 11401 | 29 | |
| 2 AWG | 125/24 | | Brown | 15528SS | 33 | 15528F | 33 | 15528XSS | 33X | | 11402 | 33 | |
| 1 AWG | 150/24 | 4 AWG | Green | 15513SS | 37 | 15513F | 37 | 15513XSS | 37X | | 11333 | 37 | |
| 1/0 | 225/24 | 2 AWG | Pink | 15508SS | 42 | 15508F | 42 | 15508XSS | 42X | | 11334 | 42 | |
| 2/0 | 275/24 | | Black | 15526SS | 45 | 15526F | 45 | 15526XSS | 45X | | 11405 | 45 | |
| 3/0 | 325/24 | | Orange | 15530SS | 50H | 15530F | 50H | 15530XSS | 50X | | 11406 | 50 | |
| 4/0 | 450/24 | | Purple | 15511SS | 54H | 15511F | 54H | 15511XSS | 54X | | 11407 | 54 | |
| 250 kcmil | 550/24 | | Yellow | 15510SS | 62H | 15510F | 62H | 15510XSS | 62X | 15662X | 62X | 11340 | 62 |
| | | 1 AWG | Gold | 15526SS | 45 | | 45 | | | | | 11405 | 45 |
| | | 1/0 | Tan | 15530SS | 50H | | 50H | | | | | 11406 | 50 |
| | | 2/0 | Olive | 15511SS | 54H | | 54H | | | | | 11407 | 54 |
| | | 3/0 | Ruby | 15532SS | 60H | 15532F | 60H | | | | | 11408 | 60 |
| 300 kcmil | | 4/0 | White | 15534SS | 66H | 15534XSS | 66H | 15534XSS | 66X | 15666X | 66X | 11409 | 66 |
| 350 kcmil | 775/24 (Short) | 250 kcmil | Red | 15514SS | 71H | 15514XSS | 71H | 15514XSS | 71X | 15671X | 71X | 11363 | 71 |
| 400 kcmil | 775/24 (Long) | 300 kcmil | Blue | 15512SS | 76H | 15512XSS | 76H | 15512XSS | 76X | 15676X | 76X | 11410 | 76 |
| - | 925/24* | | - | 15517SS | 80H | 15517XSS | 80H | 15517XSS | 80X | 15606 | 80X | 11423 | |
| 500 kcmil | | 350 kcmil | Brown | 15506SS | 87H | 15506XSS | 87H | 15506XSS | 87X | 15687X | 87X | 11364 | 87 |
| 600 kcmil | 1100/24 | 400 kcmil | Green | 15536SS | 94H | 15536XSS | 94H | 15536XSS | 94X | 15611X | 94X | | 94 |
| | 1325/24** | | Pink | | | | | | | | | | |
| 700 kcmil | | 500 kcmil | Pink | 15505SS | 99H | 15505F | | | | 15605X | 99X | 11424 | 99 |
| 750 kcmil | | 650 kcmil | Black | 15515SS | 106H | 15515F | | | | 15615X | 106X | 7450 | 106 |
| 800 kcmil | | | Orange | | | 15609 | | | | 15608X | 107X | 11425 | 107 |
| - | | 700 kcmil | Purple | | | 15504F | | | | | | 11426 | 112 |
| 900 kcmil | 195/24 | 750 kcmil | Yellow | 15504SS | 115H | 15603 | | | | 15604X | 115X | 11308 | 115 |
| 1000 kcmil | | 800 kcmil | - | | | 15602 | | | | | | 11416 | 125 |
| 1250 kcmil | | 1000 kcmil | - | | | 15601 | | | | | | 11418 | 140 |
| 1500 kcmil | | | - | | | | | | | | | 11419 | 150 |

* Standard barrel only. Long barrel requires Brown 87H.

** Standard barrel only. Long barrel requires Black 106H.

*** 15500 Series dies require 15500-TB adaptor. 15500F for full size die to fit TBM151 without adaptor.

Dies for C-Taps

| Connector | Colour code | TBM45S Nest Colour | TBM5/5S Die Cat. No. | TBM6/6S Die Cat. No. | TBM8/8S Die Cat. No. | TBM62PCR-LI/TBM6H | |
|-----------|-------------|--------------------|----------------------|----------------------|----------------------|-------------------|--------------|
| | | | | | | Die Cat. No. | Die Cat. No. |
| 54705 | Red | Red Nest | 13454 | 13475/13477 | 13461 | TBM6221 | 6TON21SS |
| 54710 | Blue | Blue Nest | | | | TBM6224 | 6TON24SS |
| 54715 | Grey | Grey Nest | | | | TBM6229 | 6TON29SS |
| 54720 | Brown | Brown Nest | | | | TBM6233 | 6TON33SS |
| 54725 | Green | Green Nest | 13455 | 13474/13477 | 13462 | TBM6237 | 6TON37SS |
| 54730 | Pink | | | | | TBM6242 | 6TON42SS |
| 54735 | Black | | | | | TBM6245 | 6TON45SS |
| 54740 | Orange | | | | | TBM6250 | 6TON50SS |
| 54745 | Purple | | 13456 | 13473/13478 | 13463 | TBM6254 | 6TON54SS |
| 54750 | Yellow | | | | | TBM6262 | 6TON62SS |

Installing Dies

Dies for Large C-Taps

| Connector | Colour code | 13642M/13400 Die Cat. No. | TBM12 Die Cat. No. | 13100A/JB12B/TBM14M/TBM14RH/ TBM14CR-LI/TBM12CR-LI Die Cat. No. | TBM15I/TBM15CR-LI Die Cat. No. |
|-----------|-------------|------------------------------|-----------------------|---|-----------------------------------|
| 54755 | Blue | 11744 | TBM12D-4 | 15512SS | 15512SS |
| 54760 | Brown | 11746-TB | TBM12D-3 | 15506SS | 15506SS |
| 54765 | Pink | 11748 | TBM12D-2 | 15505SS | 15505SS |
| 54770 | Black | 11749 | | 15515SS | 15515SS |
| 54775 | Yellow | 11753 | TBM12D-1 | 15504SS | 15504SS |
| 54780 | White | | | | |
| 54785 | - | - | - | - | 15603 |
| 54790 | | | | | |

Dies for Aluminum H-Taps

| Connector | Colour code | TBM5/5S Die Cat. No. | TBM6/6S Die Cat. No. | TBM8/8S Die Cat. No. | TBM12 Die Cat. No. | TBM6H/TBM6PCR-LI Die Cat. No. | 13100A/JB12B/TBM14M/TBM14RH/ TBM14CR-LI/TBM12CR-LI Die Cat. No. | TBM15I/TBM15CR-LI Die Cat. No. |
|-----------|-------------|-------------------------|-------------------------|-------------------------|-----------------------|----------------------------------|---|-----------------------------------|
| 63105 | Orange | 13455 | 13474/13477 | 13462 | TBM12D-4 | 6TON50 | 15530SS | 15530SS |
| 63110 | Green | | 13470 | | TBM12D-H | OJB | 15501A | 15501A |
| 63118 | | | | | | DBL | 15502 | 15502 |
| 63125 | Blue | - | 13471 | - | | | | |
| 63140 | Blue | | | | | | | |
| 63148 | Red | | | | | | | 15612 |
| 63160 | Red | | | | | | | |
| 63169 | Black | | | | | | | |
| 63170 | Black | | | | | | | 15620 |
| 63180 | Black | | | | | | | |

Dies for Copper H-Taps

| Connector | Colour code | TBM6H Die Cat. No. | 13100A/JB12B/ TBM14M/TBM14CR-LI/ TBM14RH/TBM14CR-LI/ TBM12CR-LI Die Cat. No. | TBM15CR-LI/ TBM15I/ TBM15CR-LI Die Cat. No. |
|--------------|-------------|-----------------------|--|--|
| CHT814-10 | Green | 6TON37R | 15CA37RCH | 15CA37RCH |
| CHT214-9 | Brown | 6TON71R | 15CA71RCH | 15CA71RCH |
| CHT250214-8 | Purple | | 15CA80RCH | 15CA80RCH |
| CHT25014-7 | | | | |
| CHT2502-6 | Brown | | | 15612CH |
| CHT50010-5 | | | | |
| CHT50040-4 | Yellow | | | 15620CH |
| CHT75010-3 | | | | |
| CHT750350-2 | White | | | 15620CHF |
| CHT75040-11 | | | | |
| CHT750350-1F | | | | |

Dies for Medium-Voltage Connectors (15kV applications)

| Die Code No. | Copper Conductor Size | TBM12CR-LI, TBM15I, TBM14M, TBM14RH, TBM14CR-LI, TBM15CR-LI, 13100A, TBM12CR-LI, TBM14CR-LI, TBM15CR-LI | | Round Gauging |
|--------------|-----------------------|---|------------------|---------------|
| | | Adaptor** Type | Non-Adaptor Type | |
| 29R | #4 AWG | 15CA29R | | .302/.290 |
| 33R | #2 AWG | 15CA33R | | .348/.336 |
| 37R | #1 AWG | 15CA37R | | .394/.382 |
| 42R | 1/0 AWG | 15CA42R | | .432/.420 |
| 45R | 2/0 AWG | 15CA45R | | .472/.460 |
| 49R | 3/0 AWG | 15CA49R | | .522/.510 |
| 54R | 4/0 AWG | 15CA54R | | .576/.564 |
| 60R | 250 kcmil | 15CA60R | | .604/.592 |
| 66R | 300 kcmil | 15CA66R | | .680/.668 |
| 71R | 350 kcmil | 15CA71R | | .730/.718 |
| 76R | 400 kcmil | 15CA76R | | .790/.778 |
| 87R | 500 kcmil | 15CA87R | | .904/.892 |
| 94R | 600 kcmil | 15CA94R*** | | .958/.946 |
| 106R | 750 kcmil | 15CA106R*** | | 1.042/1.030 |
| 125R | 1000 kcmil | - | 15C125R* | 1.298/1.286 |

*To be used with TBM15I or TBM15CR-LI tools.

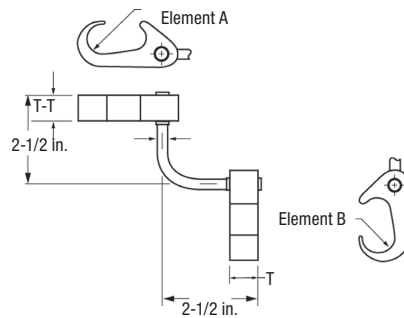
**Use 15500-TB adaptor with TBM15I tool.

***Not UL Listed for use in TBM14M/13100A tools.

Installing Dies

Dies for Figure 6 to 6 Ground Connectors

| Connector | Cable Element A | To Cable Element B | To Ground Rod Element B | To Rebar Element B | Die Selection | |
|-----------|-----------------------|---------------------|-------------------------|---------------------------------|---------------|-----------|
| | | | | | Element A | Element B |
| 54855L | #6 Sol. – #2 Str. | #6 Sol. – #2 Str. | – | – | 15501A | 15501A |
| 54865L | #1 Str. – 250 kcmil | | | | | |
| 54875L | #2 Str. – 250 kcmil | #2 Str. – 250 kcmil | 1/2 in. – 5/8 in. Rod | 3/8 in. – 1/2 in. #3 – #4 Rebar | 15G86R | 15G86R |
| 54885L | 250 kcmil – 500 kcmil | #6 Sol. – #2 Str. | 5/8 in. – 3/4 in. Rod | 5/8 in. – 3/4 in. #3 – #4 Rebar | 15G126R | 15501A |
| 54895L | | #2 Str. – 250 kcmil | | | 15G126R | 15G86R |
| 54900L | | | | | 15G121R | 15G121R |



Dies for Figure 6 to 6 Ground Connectors and Cross Reference

| Cat. No. | Dies for T&B 14- and 15-Ton Tools | | Burdny Tools and dies | | | | | |
|----------|--------------------------------------|-------------|-----------------------|---------------------|----------------------|-----------|-----------|-----------|
| | Element A | Element B | Y750 | | Y45 | | Y46 | |
| | | | A | B | A | B | A | B |
| 54900L | 15G121R [3] | 15G121R [3] | U1011 [3] | U1011 [3] | S1011 [3] | S1011 [3] | P1011 [3] | P1011 [3] |
| 54895L | 15G86R [1] | 15G126R [1] | PU998 or PU998 [1] | U997 [1] | S998 or PU998 [1] | U997 [1] | P998 [1] | U997 [1] |
| 54885L | 15501A [1] | | | U-0 or PU998 [1] | S998 [1] | U-0 [1] | | U-0 [1] |
| 54875L | 15G86R [1] | 15G86R [1] | U997 [1] | U997 [1] | U997 [1] | U997 [1] | U997 [1] | U997 [1] |
| 54865L | 15501A [1] | | | U-0 [1] | U-0 [1] | U-0 [1] | | U-0 [1] |
| 54855L | | | 15501A [1] | U-0 [1] | U-0 [1] | U-0 [1] | U-0 [1] | U-0 [1] |

Use 15500-TB adaptor for T&B 15-ton tool.

[*] = Number of crimps

Installing Dies

Dies for Figure 6 – Ground Connectors and Cross References

| Cat. No. | Dies for T&B 14- and 15-Ton Tools | Burdny Tools and dies | | | |
|----------|--------------------------------------|-----------------------|----------------------|----------------------|--|
| | | Y750 | Y45 | Y46 | |
| 54900 | 15G121R [3] | U1011 [3] | S1011 [3] | P1011 [3] | |
| 54895 | 15G126R [1] | PU998 [1] | PU996 or S998 [1] | PU996 or S998 [1] | |
| 54890 | | | | | |
| 54885 | | | | | |
| 54875 | 15501A [1] | U0 [1] | U0 [1] | U0 [1] | |
| 54865CK | 15G86R [1] | 997 [1] | U997 [1] | U997 [1] | |
| 54860 | | | | | |
| 54855 | | | | | |

Use 15500-TB adaptor for T&B 15-Ton tool.

* = Number of crimps

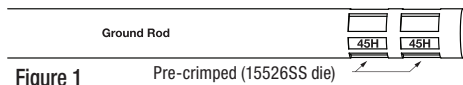


Figure 1 Pre-crimped (15526SS die)

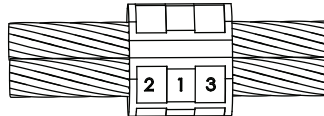
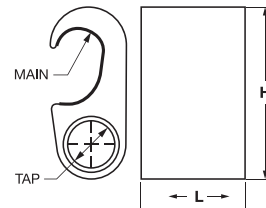


Figure 2 – Requires 3 crimps



IMPORTANT: For 54865-CKN Only. To be in compliance with IEEE837-2014, the ground rod should be pre-crimped with die 15526SS (45H) as shown in Figure 1.

| Cat. No. | Application | | Dies for T&B Tools (Figure 2) | L (in.) |
|------------|-------------------|----------------------|----------------------------------|---------|
| | Main | Tap | | |
| 54865-CKN* | 5/8 in. rod | 3/0 str. – 250 kcmil | 15506SS | 1-1/2 |
| 54860N | 5/8 in. rod | 1/0 str. – 2/0 str. | 15506SS | 1-1/2 |
| 54855N | 5/8 in. rod | #4 sol. – #2 str. | 15506SS | 1-1/2 |
| 54875N | #6 sol. – #2 str. | #6 sol. – #2 str. | 15517SS | 1-1/2 |

* See Figure 1

All parts ending by the letter N are IEEE837-2014 compliant.

Use hydraulic tool 13100A, TBM14M TBM14CR-LI, TBM15CR-LI, TBM15, or TBM15I with die indicated in chart.

Dies for Figure 8 – Ground Connectors and Cross References

| Cat. No. | Cable Range | Dies for T&B 14- and 15-Ton Tools | Burdny Tools and dies | | | |
|-------------------|-------------------|--------------------------------------|-----------------------|--------------------------------|---------------------------|--|
| | | | Y750 | Y45 | Y46 | |
| GR1-300500* | 300-500 kcmil | 15G121R [2] | U1011 [2] | S1011 [2] | P1011 [2] | |
| GR34-300500 & TP* | | | PU998 [1] | S1012 or PU998 [1] | P1011 [2] or PU998 [1] | |
| GR58-30050 & TP | | | U1011 [2] | S1011 S1012 or PU998 [1] | | |
| GR1-40250* | 4/0 AWG-250 kcmil | 15G121R [2] | PU998 [1] | S1012 or PU998 [1] | P1011 [2] or PU998 [1] | |
| GR34-40250 & TP* | | | U1011 [2] | S1011 S1012 or PU998 [1] | | |
| GR58-40250 & TP | | | PU998 [1] | S1012 or PU998 [1] | | |
| GR12-40250 & TP | 2 AWG-2/0 AWG | 15G121R [2] | U1011 [2] | S1011 S1012 or PU998 [1] | P1011 [2] or PU998 [1] | |
| GR1-202* | | | PU998 [1] | S1012 or PU998 [1] | | |
| GR34-202 & TP | | | U1011 [2] | S1011 S1012 or PU998 [1] | | |
| GR58-202 & TP | | | PU998 [1] | S1012 or PU998 [1] | | |
| GR12-202 & TP | | | | | | |

Optional ground rod knurling die for TBM 14- and 15-Ton tools: 15508

Use 15500-TB adaptor for T&B 15-Ton tool.

Optional ground rod knurling tool: 240-31565-94

*Use 15-Ton tool only.

* = Number of crimps

Installing Dies

Dies for Figure 6 to 8 Ground Connectors and Cross Reference

| Cat. No. | Dies for T&B 14- and 15-Ton Tools | | Burdny Tools and dies | | | | | | |
|----------------|--------------------------------------|-------------|---------------------------|---------------------------|---------------------------|---------------------------|---------------------------|---------------------------|----------|
| | Element A * | Element B * | Y750 | | Y45 | | Y46 | | |
| | | | A * | B * | A * | B * | A * | B * | |
| 54920LR100 | 15G121R [2] | 15G126R [1] | | U1011 [2] or PU998 [1] | | U1011 [2] or PU998 [1] | | U1011 [2] or PU998 [1] | |
| 54910LR100 | | 15G86R [1] | | U997 [1] | | U997 [1] | | U997 [1] | |
| 54900L34 & TP | | 15G126R [1] | | U1011 [2] or PU998 [1] | | U1011 [2] or PU998 [1] | | U1011 [2] or PU998 [1] | |
| 54875L34 & TP | | 15G86R [1] | U1011 [2] or PU998 [1] | | S1011 [2] or PU998 [1] | | P1011 [2] or PU998 [1] | | U997 [1] |
| 54895LR58 & TP | | 15G126R [1] | | | | S998 [1] or PU998 [1] | | P998 [1] or PU998 [1] | |
| 54865L58 & TP | | 15G86R [1] | | U1011 [2] or PU998 [1] | | U997 [1] | | U997 [1] | |
| 54885LR12 & TP | | 15R126R [1] | | | | S998 [1] or PU998 [1] | | P998 [1] or PU998 [1] | |
| 54855LR12 & TP | | 15G86R [0] | | | | U997 [1] | | U997 [1] | |

Optional ground rod knurling die for TBM 14- and 15-Ton tools: 15500
 Use 15500-TB adaptor for T&B 15-Ton tool.
 Optional ground rod knurling tool: 240-31565-94
 *Use 15-Ton tool only.

* = Number of crimps

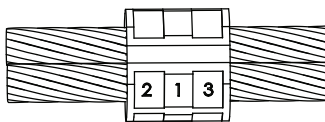
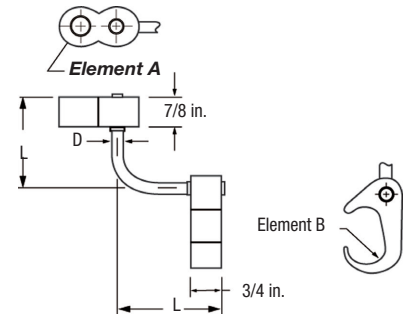
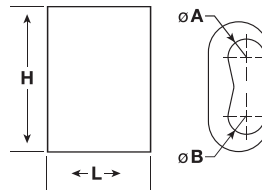


Figure 1 – Requires 3 crimps



| Cat. No. | Ø A Cable | Ø B Cable | H (in.) | L (in.) | Crimps | Dies for Tools |
|------------|---------------------|---------------------|---------|---------|--------|----------------|
| CTP250250N | 3/0 str.- 250 kcmil | 3/0 str.- 250 kcmil | 2-1/16 | 1-1/2 | 3 | 15506SS |
| CTP25020N | 3/0 str.- 250 kcmil | #1 str. - 2/0 str. | 1-31/32 | 1-1/2 | 3 | 15506SS |
| CTP2020N | #1 str. - 2/0 str. | #1 str. - 2/0 str. | 1-9/16 | 1-1/2 | 3 | 15517SS |
| CTP202N | #1 str. - 2/0 str. | #6 sol. - #2 str. | 1-13/32 | 1-1/2 | 3 | 15517SS |
| CTP22N | #6 sol. - #2 str. | #6 sol. - #2 str. | 1-5/32 | 1-1/2 | 3 | 15514SS |

All parts ending by the letter N are IEEE837-2014 compliant.
 Use hydraulic tool 13100A, TBM14M TBM14CR-LI, TBM15CR-LI, TBM15, or TBM15I with die indicated in chart.
 Must use TBM15, TBM15CR-LI, or TBM15I tool only. (See Figure 1)

Dies for C-Taps and Cross Reference

| Cat. No. | Dies for T&B 14- and 15-Ton Tools * | Burdny Tools and dies | | | |
|-----------|--|-----------------------|-----------|-----------|--|
| | | Y750 | Y45 | Y46 | |
| CTP500500 | 15G121R [3] | U1011 [3] | S1011 [3] | P1011 [3] | |
| CTP500250 | 15G121R [2] | U1011 [2] | S1011 [2] | P1011 [2] | |
| CTP50020 | | | | | |
| CTP250250 | 15G86R [1] | U997 [1] | U997 [1] | U997 [1] | |
| CTP25020 | | | | | |
| CTP2020 | 15501A [1] | U-0 [1] | U-0 [1] | U-0 [1] | |
| CTP202 | | | | | |
| CTP22** | HBKC [1] | U-C [1] | U-C [1] | U-C [1] | |

*Cat. No. 15500-TB adaptor required if using T&B 15-Ton tool with 155XX Series dies.

**#6 AWG branch must be doubled.

* = Number of crimps

Knurling Die for 14- & 15-Ton Tools*

| Cat. No. | Description |
|----------|-------------------------|
| 15508SS | For 3/4 in. ground rods |

Used to knurl ground rods in order to increase the pullout value of the compression connection by as much as 20%.



*Hand knurling Tool for all Ground Rods

240-31565-94

Installing Dies

HEX-FLEX™ Dies

| Dies for 14-Ton Tools: TBM14CR-LI | | Connector Size | | | Die Colour |
|--------------------------------------|----------|----------------|-------------|-------|------------|
| Cat. No. | Code No. | Flex/24 | Code Copper | Al/Cu | |
| 15520XSS | 21X | 37/24 | #8 | #10 | Red |
| 15522XSS | 24X | 61/24 | #6 | #8 | Blue |
| 15527XSS | 29X | 91/24 | #4 | #6 | Grey |
| 15528XSS | 33X | 125/24 | #2 | – | Brown |
| 15513XSS | 37X | 150/24 | #1 | #4 | Green |
| 15508XSS | 42X | 225/24 | 1/0 | #2 | Pink |
| 15526XSS | 45X | 275/24 | 2/0 | – | Black |
| 15530XSS | 50X | 325/24 | 3/0 | | Orange |
| 15511XSS | 54X | 450/24 | 4/0 | – | Purple |
| 15510XSS | 62X | 550/24 | 250 | | Yellow |
| 15534XSS | 66X | – | 300 | 4/0 | White |
| 15514XSS | 71X | 775/24 (short) | 350 | 250 | Red |
| 15512XSS | 76X | 775/24 (long) | 400 | 300 | Blue |
| 15517XSS | 80X | 925/24 | – | – | N/A |
| 15506XSS | 87X | – | 500 | 350 | Brown |
| 15536XSS | 94X | 1100/24 | 600 | 400 | Green |
| 15500XSS | Indentor | – | – | – | – |

* HEX-FLEX™ dies are sold individually, not in sets.
Each die must be used in conjunction with indentor 15500XSS.

Standard Dies

| Dies for 14-Ton Tools: TBM14CR-LI | | Connector Size | | | Die Colour |
|--------------------------------------|----------|----------------|-------------|-------|------------|
| Cat. No. | Code No. | Flex/24 | Code Copper | Al/Cu | |
| 15520SS | 21 | 37/24 | #8 | #10 | Red |
| 15522SS | 24 | 61/24 | #6 | #8 | Blue |
| 15527SS | 29 | 91/24 | #4 | #6 | Grey |
| 15528SS | 33 | 125/24 | #2 | – | Brown |
| 15513SS | 37 | 150/24 | #1 | #4 | Green |
| 15508SS | 42 | 225/24 | 1/0 | #2 | Pink |
| 15526SS | 45 | 275/24 | 2/0 | – | Black |
| 15530SS | 50 | 325/24 | 3/0 | | Orange |
| 15511SS | 54 | 450/24 | 4/0 | – | Purple |
| 15510SS | 62 | 550/24 | 250 | | Yellow |
| 15526SS | 45 | – | – | #1 | Gold |
| 15530SS | 50 | | | 1/0 | Tan |
| 15532SS | 60 | | | 2/0 | Olive |
| 15511SS | 54 | | | 3/0 | Ruby |
| 15534SS | 66H | 775/24 (Short) | 300 | 4/0 | White |
| 15514SS | 71H | | 350 | 250 | Red |
| 15512SS | 76H | 775/24 (Long) | 400 | 300 | Blue |
| 15517SS | 80H | 925/24 | – | – | N/A |
| 15506SS | 87H | – | 500 | 350 | Brown |
| 15536SS | 94H | | – | – | Green |
| 15505SS | 99H | 1325/24 | 700 | 500 | Pink |
| 15515SS | 106H | – | 750 | 650 | Black |
| 15504SS | 115H | 1925/24 | 900 | 750 | Yellow |

Aluminum H-Tap Dies

| Cat. No. | Connector | Colour Code |
|----------|-----------|-------------|
| 15530SS | 63105 | Orange |
| 15501A | 63110 | Green |
| 15501A | 63118 | |
| 15501A | 63125 | |
| 15502 | 63140 | Blue |
| 15502 | 63148 | |

Copper H-Tap Dies

| Cat. No. | Connector | Colour Code |
|-----------|-------------|-------------|
| 15CA37RCH | CHT814-10 | Green |
| 15CA71RCH | CHT214-9 | Brown |
| 15CA80RCH | CHT250214-8 | Purple |
| 15CA80RCH | CHT25014-7 | |
| 15CA80RCH | CHT2502-6 | |

Large C-Tap Dies

| Cat. No. | Connector | Colour Code |
|----------|-----------|-------------|
| 15512SS | 54755 | Blue |
| 15506SS | 54760 | Brown |
| 15505SS | 54765 | Pink |
| 15515SS | 54770 | Black |
| 15504SS | 54775 | Yellow |

Installing Dies

Tool Die Selection Chart

This chart does not apply to catalogue Series 61905-61975, 61102-61178, IBG2-10, IBG20-40, 63105-63180, 53000, 52000 and 15kV copper and aluminum connectors.

For installation die information, see pages illustrating these connector series.

On some sizes, for special flexible strandings, consult your Regional Sales Office.

All colour coded die Series require die adapter 15500TB for TBM15 tools only.



| Connector Size | | Die Colour Code | TBM45S | TBM4S | TBM840 | TBM8-750/-1 | OD58 | JB12B |
|----------------|------------|-----------------|--------|-------|--------|-------------|--------------|--------------|
| Copper | Al/Cu | | | | | | Die Cat. No. | Die Cat. No. |
| 8 AWG | 10 AWG | Red | ↕ | ↕ | ↕ | ↕ | BY15C | b71Ch |
| 6 AWG | 8 AWG | Blue | | | | | BY17C | b73Ch |
| 4 AWG | 6 AWG | Grey | | | | | BY19C | b74ch |
| 2 AWG | - | Brown | | | | | BY21C | B75CH |
| 1 AWG | 4 AWG | Green | | | | | BY53C | B05CH |
| 1/0 | 2 AWG | Pink | | | | | BY23C | B06CH1 |
| 2/0 | - | Black | | | | | BY28C | B72CH |
| 3/0 | | Orange | | | | | BY25C | B08CH |
| 4/0 | | Purple | | | | | BY31C | B09CH |
| 250 kcmil | | Yellow | | | | | | B26CH |
| - | 1 AWG | Gold | | - | | | | |
| | 1/0 | Tan | | | | | B09CH | |
| | 2/0 | Olive | | | | | | |
| | 3/0 | Ruby | | | | | B10CH1 | |
| 300 kcmil | 4/0 | White | | | | | B11CH | |
| 350 kcmil | 250 kcmil | Red | - | | | | B11CH | |
| 400 kcmil | 300 kcmil | Blue | | | | | | |
| 925/24 | - | Black | | | | | | |
| 500 kcmil | 350 kcmil | Brown | | - | | | B12CH | |
| 600 kcmil | 400 kcmil | Green | | | | | B36CH | |
| - | - | Green | | | | | - | |
| 700 kcmil | 500 kcmil | Pink | | | | | B76CH | |
| 750 kcmil | 650 kcmil | Black | | | | | B39CH | |
| 800 kcmil | - | Orange | | | | | - | |
| - | 700 kcmil | Purple | | | | | - | |
| 900 kcmil | 750 kcmil | Yellow | | | | | 6024 AH | |
| 1000 kcmil | 800 kcmil | - | | | | | - | |
| - | 1000 kcmil | - | | | | | 6030 H | |

Installing Dies

Tool Die Selection Chart



| Connector Size | | Die Colour Code | TBM6PCR-LI/TBM6H | | TBM14CR-LI/14M/13100A | | *TBM15CR-LI | | 21940 (40-TON) | |
|----------------|------------|-----------------|------------------|--------------|-----------------------|--------------|--------------|--------------|----------------|--------------|
| Copper | Al/Cu | | Die Cat. No. | Die Code No. | Die Cat. No. | Die Code No. | Die Cat. No. | Die Code No. | Die Cat. No. | Die Code No. |
| 8 AWG | 10 AWG | Red | 6TON21SS | 21 | B71CH | 21 | B71CH | 21 | | 21 |
| 6 AWG | 8 AWG | Blue | 6TON24SS | 24 | B73CH | 24 | B73CH | 24 | – | 24 |
| 4 AWG | 6 AWG | Grey | 6TON29SS | 29 | B74CH | 29 | B74CH | 29 | 11401 | 29 |
| 2 AWG | – | Brown | 6TON33SS | 33 | B75CH | 33 | B75CH | 33 | 11402 | 33 |
| 1 AWG | 4 AWG | Green | 6TON37SS | 37 | B05CH | 37 | B05CH | 37 | 11333 | 37 |
| 1/0 | 2 AWG | Pink | 6TON42SS | 42 | B06CH | 42 | B06CH1 | 42 | 11334 | 42 |
| 2/0 | – | Black | 6TON45SS | 45 | B72CH | 45 | B72CH | 45 | 11405 | 45 |
| 3/0 | | Orange | 6TON50SS | 50 | B08CH | 50 | B08CH | 50 | 11406 | 50 |
| 4/0 | | Purple | 6TON54SS | 54 | B09CH | 54 | B09CH | 54H | 11407 | 54H |
| 250 kcmil | | Yellow | 6TON62SS | 62 | B26CH | 62 | B26CH | 62 | 11340 | 62 |
| – | 1 AWG | Gold | 6TON45SS | 45 | B72CH | 45 | B72CH | 45 | 11405 | 45 |
| | 1/0 | Tan | 6TON50SS | 50 | B08CH | 50 | B08CH | 50 | 11406 | 50 |
| | 2/0 | Olive | 6TON54SS | 54 | | 54 | B09CH | 54 | 11407 | 54 |
| | 3/0 | Ruby | 6TON60SS | 60 | – | 60 | – | 60 | 11408 | 60 |
| 300 kcmil | 4/0 | White | 6TON66SS | 66H | B10CH1 | 66H | B10CH1 | 66H | 11409 | 66 |
| 350 kcmil | 250 kcmil | Red | 6TON71SS | 71H | B11CH | 71H | B11CH | 71H | 11363 | 71 |
| 400 kcmil | 300 kcmil | Blue | 6TON76SS | 76H | | 76H | B11CH | 76H | 11410 | 76 |
| 925/24 | – | Black | 6TON80SS | 80H | – | 80H | – | 80H | – | – |
| – | | | – | – | | – | | 80 | | |
| 500 kcmil | 350 kcmil | Brown | 6TON87SS | 87H | B12CH | 87H | B12CH | 87H | 11423 | 87 |
| 600 kcmil | 400 kcmil | Green | 6TON94SS | 94H | – | – | B36CH | 94H | 11364 | 94 |
| – | – | | – | – | | | – | – | – | – |
| 700 kcmil | 500 kcmil | Pink | – | 99H | B39CH | – | B76CH | 99H | 11424 | 99 |
| 750 kcmil | 650 kcmil | Black | | 106H | | | B39CH | 106H | 74506 | 106 |
| 800 kcmil | – | Orange | | 107H | | | – | 107H | 11425 | 107 |
| – | 700 kcmil | Purple | | 112H | | | – | 112H | 11426 | 112 |
| 900 kcmil | 750 kcmil | Yellow | | 115H | | | – | 115H | 11308 | 115 |
| 1000 kcmil | 800 kcmil | – | | – | | | – | – | 125H | 11416 |
| – | 1000 kcmil | – | – | – | – | 140H | 11418 | 140 | | |
| – | – | – | – | – | – | 150H | 11419 | 150 | | |

*Colour-coded dies require 15500TB adapter when used with TBM15CR-LI tool.

Installing Dies

Tool and Die Index for Copper Compression Connectors
Short Barrel — Types CTL, CTL-2 and CSP

| Stranded Copper Wire Size | Die Colour Code | Blackburn Tools | | | | | | | Burdny Tools | | | | Anderson Tools | | | | | T&B Tools | | | | | | | | | | | | | | | |
|---------------------------|-----------------|-----------------|----------------|-------------------|----------------|------------|----------------|--------------|----------------|--------------------|----------------|-------------|----------------|-------------|----------------|------------|----------------|---------------|----------------|------|--------|---|----------|---|---|---|---|----|-------|----------|---|---------|----------|
| | | Mech. OD58 | Crimps per End | Mech. HM-250 TOOL | Crimps per End | Hyd. JB12B | Crimps per End | Mech. MY29-3 | Crimps per End | Hyd. Y35, Y39, Y46 | Crimps per End | Mech. TBM5S | Crimps per End | Mech. TBM6S | Crimps per End | Hyd. TBM15 | Crimps per End | Cu Wire Range | Crimps per End | | | | | | | | | | | | | | |
| | | | | | | | | | | | | | | | | | | | VC6† | VC7† | VC8C†† | | | | | | | | | | | | |
| 8 | Red | 7/32 | 3 | ** | 1 | B71CH | 1 | ** | 1 | - | 13454 | 2 | 13461 | 2 | 21 | 2 | - | - | - | | | | | | | | | | | | | | |
| 6 | Blue | J 1/4 | | | | B73CH | | | | 1 | | | | | U5CRT | | | | | 24 | | | | | | | | | | | | | |
| 4 | Grey | 5/16 | | | | B74CH | | | | 1 | | | | | U4CRT | | | | | 29 | | | | | | | | | | | | | |
| 3 | White | - | | | | - | | | | - | | | | | U3CRT | | | | | - | | | | | | | | | | | | | |
| 2 | Brown | 3/8 | 4 | ** | 2 | B75CH | 2 | 2 | 2 | 13455 | 3 | 13462 | 3 | 37 | 2 | 6-2 | 1* | - | | | | | | | | | | | | | | | |
| 1 | Green | P | | | | B05CH | | | | | | | | 1 | | U1CRT | | | 37 | 6-1 | | | | | | | | | | | | | |
| 1/0 | Pink | 1/2 | | | | B06CHI | | | | | | | | 2 | | U25RT | | | 42H | 3 | 6-1/0 | 1 | | | | | | | | | | | |
| 2/0 | Black | 17/32 | | | | B72CH | | | | | | | | 1 | | U26RT | | | 45 | 2 | 4-2/0 | 2 | | | | | | | | | | | |
| 3/0 | Orange | 9/16 | | | | B08CH | | | | | | | | | | 1 | | | U27RT | 50 | 2 | | 2-3/0 | | | | | | | | | | |
| 4/0 | Purple | 5/8-1 | | | | B09CH | | | | | | | | 1 | | U28RT | | | 54H | 3 | 1-4/0 | 2 | | | | | | | | | | | |
| 250 | Yellow | 11/16 | | | | B26CH | | | | | | | | | | 1 | | | U29RT | 62 | 2 | | 1/0-250† | | | | | | | | | | |
| 300 | White | - | | | | - | | | | | | | | - | | - | | | B10CHI | 2 | - | - | - | - | - | - | 4 | 66 | 2 | 2/0-300† | 2 | | |
| 350 | Red | - | | | | | | | | | | | | | | | | | B10CH | | | | | | | | | 2 | U30RT | 71H | | 3 | 3/0-350† |
| 400 | Blue | - | | | | | | | | | | | | | | | | | B11CH | | | | | | | | | 2 | U31RT | 76 | | 2 | 4/0-400† |
| 500 | Brown | - | B12CHI | 2 | U32RT | | 87H | 5 | - | - | - | - | - | | - | | - | - | - | | | | | | | | | - | | | | | |
| 600 | Green | - | B12CH | | 2 | | U34RT | | | | | | | | | | | | | | | | | | | | | | 94H | 3 | | 250-600 | |
| 750 | Black | - | B36CH1 | 3 | U36RT3 | | 106H | - | - | - | - | - | - | | - | | - | - | - | | | | | | | | | - | - | | | | |
| 1000 | - | - | B36CH1 | 3 | U39RT3 | 125H | 4 | | | | | | | 750-1000 | | | | | | | | | | | | | | | | | | | |

* CSA Listed range 4-2 with YC6 and VC6FT.

** Adjustable Indent Tool. No insert dies required.

1 HCT7508-12, HCT1239, HCT7508H only.

3 Y39, Y46 only.

4 Y46 only.

† Users of VC6 and VC7 tools must strip off an extra 1-5/8 in. of insulation from end of cable to permit removal of tool over conductor sizes 250 kcmil and larger on CSP connectors.

†† Also use VC8 tool with aluminum nibs.

Installing Dies

Tool and Die Index for Copper Compression Connectors Long Barrel — Types CTL-L, LCN and Cu

| Stranded Copper Wire Size | Die Colour Code | Blackburn Tools | | | | | | Burdny Tools | | | | Anderson Tools | | | | | | T&B Tools | | | | | | | | | | | | | | | | | | | |
|---------------------------|-----------------|-----------------|----------------|-------------------|----------------|-----------------|----------------|--------------|----------------|--------------------|----------------|----------------|----------------|-------------|----------------|------------|----------------|---------------|----------------|------|-------|--|--|--|--|--|--|--|--|--|--|--|--|--|--|--|--------------|
| | | Mech. OD58 | Crimps per End | Mech. HM-250 TOOL | Crimps per End | Hyd. JB12B | Crimps per End | Mech. MY29-3 | Crimps per End | Hyd. Y35, Y39, Y46 | Crimps per End | Mech. TBM5S | Crimps per End | Mech. TBM8S | Crimps per End | Hyd. TBM15 | Crimps per End | Cu Wire Range | Crimps per End | | | | | | | | | | | | | | | | | | |
| | | | | | | | | | | | | | | | | | | | VC6† | VC7† | VC8†† | | | | | | | | | | | | | | | | |
| 8 | Red | 7/32 | | | | B71CH | | | | | | | | | 21 | | | | | | | | | | | | | | | | | | | | | | |
| 6 | Blue | J 1/4 | 4 | | 2 | B73CH | 2 | | | | 13454 | 2 | 13461 | 2 | 24 | 3 | | | | | | | | | | | | | | | | | | | | | |
| 4 | Grey | 5/16 | | | | B74CH | | | | | | | | | 29 | | | | | | | | | | | | | | | | | | | | | | |
| 3 | White | - | - | | | | | | | | | | | | | | | | | | | | | | | | | | | | | | | | | | |
| 2 | Brown | 3/8 | | | | B75CH | | | | | 13454 | 2 | 13461 | 3 | 33 | 3 | | | | | | | | | | | | | | | | | | | | | |
| 1 | Green | P | | | ** | B05CH | | | | | | | | | 37 | | | | | | | | | | | | | | | | | | | | | | |
| 1/0 | Pink | 1/2 | 5 | | | B06CHI | 2 | | | | | | | | 42H | 4 | | | | | | | | | | | | | | | | | | | | | |
| 2/0 | Black | 17/32 | | | | B72CH | | | | | 13455 | 4 | 13462 | 4 | 45 | 3 | | | | | | | | | | | | | | | | | | | | | |
| 3/0 | Orange | 9/16 | | | | B08CH | | | | | | | | | 50 | | | | | | | | | | | | | | | | | | | | | | |
| 4/0 | Purple | 5/8-1 | | | | B09CH | | | | | | | | | 54H | 5 | | | | | | | | | | | | | | | | | | | | | |
| 250 | Yellow | 11/16 | 6 | | | B26CH | | | | | 13456 | 6 | 13463 | 6 | 62 | 3 | | | | | | | | | | | | | | | | | | | | | |
| 300 | White | | | | | B10CHI | 3 | | | | | | | | 66 | 3 | | | | | | | | | | | | | | | | | | | | | |
| 350 | Red | | | | | B10CH | | | | | | | | | 71H | 4 | | | | | | | | | | | | | | | | | | | | | |
| 400 | Blue | | | | | B11CH | | | | | | | | | 76 | 3 | | | | | | | | | | | | | | | | | | | | | |
| 500 | Brown | | | | | B12CHI B12CH | 4 | | | | | | | | 87H | 8 | | | | | | | | | | | | | | | | | | | | | 2†† |
| 600 | Green | | | | | B36CH† | 6 | | | | | | | | 94H | | | | | | | | | | | | | | | | | | | | | | 8 VC7FT only |
| 750 | Black | | | | | B36CH† | 6 | | | | | | | | 106H | 6 | | | | | | | | | | | | | | | | | | | | | 9 VC7FT only |
| 1000 | | | | | | | 2 | | | | | | | | 125H | 5 | | | | | | | | | | | | | | | | | | | | | 2 |

** Adjustable Indent Tool. No insert dies required.
 † HCT7508-12, HCT1239, HCT7508H only.
 ‡ Y39, Y46 only.
 †† Y46 only.
 † Users of VC6 and VC7 tools must strip off an extra 1-5/8 in. of insulation from end of cable to permit removal of tool over conductor sizes 250 kcmil and larger on Cu connectors.
 †† Also use VC8 tool with aluminum nibs.
 ††† VC8 tool crimps 500 kcmil only.
 †††† VC8 tool crimps 500-600 kcmil only.

Installing Dies

Tool and Die Index for Copper Compression Connectors For Flexible Rope Stranded or Flexible Stranded Tinned Copper Locomotive Conductor Welding Cable and Portable Cord Short Barrel — Types CTL, CTL-2 and CSP

| Conductor Type | | | | Blackburn Tools | | Burdny Tools | | | | T&B Tools | | Anderson Tools | | | | | |
|--------------------|----------------------|---------------|---------------|----------------------|-----------------|--------------|----------------|---------------|----------------|--------------------|----------------|----------------|----------------|------------------------------------|------------|---------------------------|-------|
| Flex Stranded Size | Locomotive Stranding | Welding Cable | Portable Cord | Stranded Cu AWG Size | Die Colour Code | Hyd. JB12B | Crimps per End | Mech. MY29-11 | Crimps per End | Hyd. Y35, Y39, Y46 | Crimps per End | Hyd. TBM15 | Crimps per End | Cu Wire Range for Locomotive Cable | VC6† VC6FT | VC7† VC7FT Crimps per End | VC8†† |
| 6 | 37/24 | – | 8 | 8 | Red | B71CH | | | | – | – | 21 | | | | | |
| 6 | 61/24 | 6 | 6 | 6 | Blue | B73CH | 1 | | 1 | U5CD-1 Y34PR3 | | 24 | 2 | – | – | – | |
| 5 | 91/24 | – | – | 4 | Grey | B74CH | | | | U4CD-1 Y34PR | | 29 | | | | | |
| 4 | 105/24 | 4 | 4 | 3 | White | – | – | | | U3CD-1 Y34PR | | – | – | | | | |
| 3 | 125/24 | 3 | 3 | 2 | Brown | B75CH | 1 | | 2 | U2CD-1 Y34PR | 1 | 33 | 2 | 4-3 | | | |
| 2 | 150/24 | 2 | 2 | 1 | Green | B05CH | | ** | | U1CD-1 Y34PR | | 37 | | 4-2 | 1 | | |
| 1 | 225/24 | 1 | 1 | 1/0 | Pink | B06CHI | 2 | | | U250-1 Y34PR | | 42H | 3 | 4-1 | | 2 | |
| 1/0 | 275/24 | 1/0 | 1/0 | 2/0 | Black | B72CH | 1 | | | U26CD-1 Y34PR | | 45 | 2 | 4-1/0 | | | – |
| 2/0 | 325/24 | 2/0 | 2/0 | 3/0 | Orange | B08CH | | | | U270-1 Y34PR | | 50 | | 2-2/0 | 2 | | |
| – | – | 3/0 | 3/0 | 4/0 | Purple | B09CH | | | | U280-1 Y34PR | | 54H | 3 | – | – | – | |
| 3/0 | 450/24 | 4/0 | – | 250 | Yellow | B26CH | | | | U290-1 Y34PR3 | | 62 | 2 | 1/0-3/0† | | 2 | |
| 4/0 | 550/24 | | 4/0 | 300 | White | B12CHI B12CH | | | | U300-1 Y34PR3 | 2 | 66 | | 2/0-4/0† | | – | |
| 263 | 650/24 | | | 300 | Red | B11CH | 2 | | | U310-1 Y34PR3 | | 71H | 3 | 3/0-263† | 2 | | |
| 313 | 775/24 | | | 400 | Blue | B11CH | | | | Y320-1 Y34PRU3 | | 76 | 2 | 4/0-313† | | 3 | |
| 373 | 925/24 | | | 500 | Brown | B10CHI B10CH | | | | U340-1 Y34PR3 | – | 87H | | 4/0-373† | | | 2††† |
| 444 | 1100/24 | | – | 600 | Green | B36CH | 3 | | | C360 Y46PR4 | | 94H | 3 | 262-444 | | 3 VC7FT only | 2††† |
| 535 | 1325/24 | | | 750 | Black | B39CH† | 1 | | | C390 Y46PR4 | 2 | 106H | | 373-535 | – | 4 VC7FT only | 2 |
| 646 | 1600/24 | | | – | – | – | – | | | – | – | – | – | – | | – | – |
| 777 | 1925/24 | | | 1000 | – | – | 1 | | | C440 Y46PR4 | 2 | 125H | 4 | 535-777 | | – | 2 |

** Adjustable Indent Tool. No insert dies required.

1 HCT7508-12, HCT1239, HCT7508H only.

3 Y39, Y46 only.

4 Y46 only.

† Users of VC6 and VC7 tools must strip off an extra 1-5/8 in. of insulation from end of cable to permit removal of tool over conductor sizes 250 kcmil and larger on Cu connectors.

†† Also use VC8 tool with aluminum nibs.

††† VC8 tool crimps 500 kcmil only.

†††† VC8 tool crimps 500-600 kcmil only.

Installing Dies

Tool and Die Index for Copper Compression Connectors Long Barrel — Types CTL-L, LCN and CU

| Conductor Type | | | | | | Blackburn Tools | | Burdny Tools | | | | T&B Tools | | Anderson Tools | | | |
|--------------------|----------------------|---------------|---------------|----------------------|-----------------|-----------------|----------------|---------------|----------------|--------------------|----------------|------------|----------------|------------------------------------|------|--------------------|--------|
| Flex Stranded Size | Locomotive Stranding | Welding Cable | Portable Cord | Stranded Cu AWG Size | Die Colour Code | Hyd. JB12B | Crimps per End | Mech. MY29-11 | Crimps per End | Hyd. Y35, Y39, Y46 | Crimps per End | Hyd. TBM15 | Crimps per End | Cu Wire Range for Locomotive Cable | VC6† | VC7† | VC8C†† |
| 8 | 37/24 | — | 8 | 8 | Red | B71CH | | | 2 | — | — | 21 | | | | | |
| 6 | 61/24 | 6 | 6 | 6 | Blue | B73CH | 2 | | 2 | U5CD-1 Y34PR3 | | 24 | 2 | — | — | — | |
| 5 | 91/24 | — | — | 4 | Grey | B74CH | | | 2 | U4CD-1 Y34PR | | 29 | | | | | |
| 4 | 105/24 | 4 | 4 | 3 | White | — | — | | 3 | U3CD-1 Y34PR | | — | — | | | | |
| 3 | 125/24 | 3 | 3 | 2 | Brown | B75CH | 2 | | 3 | U2CD-1 Y34PR | | 33 | 2 | 4-3 | | | |
| 2 | 150/24 | 2 | 2 | 1 | Green | B05CH | 2 | ** | 3 | U1CD-1 Y34PR | | 37 | | 4-2 | 1 | | |
| 1 | 225/24 | 1 | 1 | 1/0 | Pink | B06CHI | 3 | | 3 | U250-1 Y34PR | | 42H | 3 | 4-1 | | 2 | |
| 1/0 | 275/24 | 1/0 | 1/0 | 2/0 | Black | B72CH | 2 | | 3 | U26CD-1 Y34PR | | 45 | 2 | 4-1/0 | | | — |
| 2/0 | 325/24 | 2/0 | 2/0 | 3/0 | Orange | B08CH | 2 | | 4 | U270-1 Y34PR | | 50 | | 2-2/0 | 2 | | |
| — | — | 3/0 | 3/0 | 4/0 | Purple | B09CH | | | 4 | U280-1 Y34PR | | 54H | 3 | — | — | — | |
| 3/0 | 450/24 | 4/0 | | 250 | Yellow | B26CH | | | 4 | U290-1 Y34PR3 | | 62 | | 1/0-3/0† | | 2 | |
| 4/0 | 550/24 | | 4/0 | 300 | White | B12CHI B12CH | 3 | | | U300-1 Y34PR3 | 3 | 66 | 2 | 2/0-4/0† | | — | |
| 263 | 650/24 | | | 300 | Red | B11CH | | | | U310-1 Y34PR3 | | 71H | 3 | 3/0-263† | 2 | | |
| 313 | 775/24 | | | 400 | Blue | B11CH | 2 | | | Y320-1 Y34PRU3 | | 76 | 2 | 4/0-313† | | 3 | |
| 373 | 925/24 | | | 500 | Brown | B10CHI B10CH | 4 | | | U340-1 Y34PR3 | — | 87H | | 4/0-373† | | | 2†† |
| 444 | 1100/24 | — | — | 600 | Green | B36CH | 6 | | | C360 Y46PR4 | 2 | 94H | 3 | 262-444 | | 3 VC7FT only | 2†† |
| 535 | 1325/24 | | | 750 | Black | B39CH† | 2 | | | C390 Y46PR4 | | 106H | | 373-535 | | 4 VC7FT only | 2 |
| 646 | 1600/24 | | | — | | | — | | | — | — | — | — | — | — | — | — |
| 777 | 1925/24 | | | 1000 | | | | | | C440 Y46PR4 | 2 | 125H | 4 | 535-777 | | — | 2 |
| 1111 | 2750/24 | | | 1500 | | | 2 | | | C460 Y46PR4 | | — | — | — | | — | — |

** Adjustable Indent Tool. No insert dies required.

† HCT7508-12, HCT1239, HCT7508H only.

3 Y39 only.

4 Y48B only.

† Users of VC6 and VC7 tools must strip off an extra 1-5/8 in. of insulation from end of cable to permit removal of tool over conductor sizes 250 kcmil and larger on Cu connectors.

†† Also use VC8 tool with aluminum nibs.

††† VC8 tool crimps 500 kcmil only.

Installing Dies

Tool and Die Index for Copper Compression Connectors One and two hole Lugs, Splices — Types ATL and ASP

| Stranded Al Wire Size | Stranded Cu Wire Size | Die Colour Code | Blackburn Tools | | | | Burndy Tools | | | | T&B Tools | | | | Anderson Tools | | | | | | | | | | |
|-----------------------|-----------------------|-----------------|-----------------|----------------|-------------------|----------------|--------------|----------------|--------------|----------------|---------------|----------------|-------------|----------------|----------------|----------------|------------|----------------|------------------------------|------------|------|--|--|--|--|
| | | | Mech. OD58 | Crimps per End | Mech. HM-250 TOOL | Crimps per End | Hyd. JB12B | Crimps per End | Mech. MY29-3 | Crimps per End | Hyd. Y35, Y39 | Crimps per End | Mech. TBM5S | Crimps per End | Mech. TBM8S | Crimps per End | Hyd. TBM15 | Crimps per End | Stranded Al or Cu Wire Range | VC6† VC6FT | VC8C | | | | |
| 8 | 6 | Blue | 1/4 | 2 | | | | | | | | | | | | | | | | | | | | | |
| 6 | 4 | Grey | 5/16 | 2 | | 1 | | | | | | | | | | | | | | | | | | | |
| 4 | 1 | Green | P | 3 | | | | | | | | | | | | | | | | | | | | | |
| 3 | 1/0 | Pink | 1/2 | 4 | | | | | | | | | | | | | | | | | | | | | |
| 2 | | Gold | 1/2-1 | 3 | | | | | | | | | | | | | | | | | | | | | |
| 1 | | Tan | 9/16 | 4 | ** | 2 | | | | | | | | | | | | | | | | | | | |
| 1/0 | | Olive | 5/8-1 | 4 | | | | | | | | | | | | | | | | | | | | | |
| 2/0 | | Ruby | 688 | 5 | | | | | | | | | | | | | | | | | | | | | |
| 3/0 | | White | 781 | 5 | | | | | | | | | | | | | | | | | | | | | |
| 4/0 | 300 | Red | 781 | 5 | | | | | | | | | | | | | | | | | | | | | |
| 250 | 350 | Blue | 840 | 5 | | | | | | | | | | | | | | | | | | | | | |
| 300 | 400 | Brown | | 5 | | | | | | | | | | | | | | | | | | | | | |
| 350 | 500 | Green | | 5 | | | | | | | | | | | | | | | | | | | | | |
| 400 | 600 | Pink | | 5 | | | | | | | | | | | | | | | | | | | | | |
| 500 | 700 | Black | | 5 | | | | | | | | | | | | | | | | | | | | | |
| 600 | | | | 5 | | | | | | | | | | | | | | | | | | | | | |
| 750 | | | | 5 | | | | | | | | | | | | | | | | | | | | | |
| 1000 | | | | 5 | | | | | | | | | | | | | | | | | | | | | |

** Adjustable Indent Tool. No insert dies required.

1 HCT7508-12, HCT1239, HCT7508H only.

2 Y46 only.

3 Y39 only.

† Users of VC6 and VC7 tools must strip off an extra 1-5/8 in. of insulation from end of cable to permit removal of tool over conductor sizes 250 kcmil and larger on ASP connectors.

†† VC6FT tool only.

††† With Al nibs for VC8C.

Installing Dies

Gauging Information for Standard Hex Dies

| Die Code | TBM6H | Blackburn and T&B 12, 14- & 15-Ton Tools Colour Coded Dies | 21940 Dies | Hex Gauging |
|----------|----------|--|----------------|-------------|
| Red | 6 ton 21 | B71CH | - | 0.191-0.207 |
| Blue | 6 ton 24 | B73CH | | 0.222-0.234 |
| 27 | - | - | 11330 | 0.262-0.294 |
| Grey | 6 ton 29 | B74CH | 11404 | |
| 32 | - | - | 11332 | 0.329-0.335 |
| Brown | 6 ton 33 | B75CH | 11402 | 0.326-0.337 |
| 35 | - | - | *11403 | 0.353-0.359 |
| Green | 6 ton 37 | B05CH | 11333 | 0.369-0.383 |
| 40 | - | - | *11404 | 0.397-0.403 |
| 42 | - | 15505F | 11334 | 0.409-0.423 |
| Pink | 6 ton 42 | B06CHI | - | |
| Black | 6 ton 45 | B08CH | 11405 | 0.445-0.459 |
| Orange | 6 ton 50 | B09CH | 11406 | 0.494-0.506 |
| Olive | - | | 11407 | |
| Purple | 6 ton 54 | - | - | 0.535-0.553 |
| 57 | - | - | 11338 | |
| 58 | - | - | 11338 | 0.585-0.591 |
| 60 | 6 ton 60 | - | 11408 | 0.613-0.631 |
| Yellow | 6 ton 62 | B06CH | 11340 | 0.657-0.675 |
| White | 6 ton 66 | B10CHI | 11409 | |
| 66H | - | - | - | 0.707-0.725 |
| Red | - | - | 11363 | |
| Red | 6 ton 71 | B11CH | - | 0.751-0.769 |
| Blue | 6 ton 76 | | 11410 | |
| 76H | - | - | - | 0.790-0.802 |
| 78 | - | - | 11306 | |
| 80 | 6 ton 80 | - | 11411 15517 | |
| 83 | - | - | *11370 | 0.825-0.831 |

* Obsolete, consult your Regional Sales Office for availability.
Gauges may be ordered from T&B Tool Service.

| Die Code | TBM6H | Blackburn and T&B 14- & 15-Ton Tools Dies | 21940 Dies | Hex Gauging |
|----------|----------|---|------------|-------------|
| 87 | - | - | 11423 | 0.861-0.879 |
| Brown | 6 ton 87 | B12CH | - | |
| 94 | - | - | 11364 | 0.935-0.953 |
| 94H | - | - | - | |
| 96 | - | - | 11304 | 0.959-0.977 |
| 96H | - | - | - | |
| 99 | - | - | 11424 | 0.979-0.997 |
| 99H | - | - | - | |
| 100 | - | - | 11365 | 1.005-1.011 |
| 106A | - | - | - | 1.049-1.071 |
| Black | - | B39CH | - | |
| 107 | - | - | 11425 | 1.064-1.076 |
| 107H | - | - | - | |
| 112 | - | - | 11426 | 1.118-1.131 |
| 112H | - | - | - | |
| 115 | - | - | 11308 | 1.141-0.163 |
| 115H | - | - | - | |
| 125 | - | - | 11416 | 1.239-1.261 |
| 125H | - | - | - | |
| 126 | - | - | 11443 | 1.247-1.253 |
| 130 | - | - | 11417 | 1.299-1.305 |
| 138 | - | - | 11366 | 1.377-1.383 |
| 140 | - | - | 11418 | 1.369-1.391 |
| 140H | - | - | - | |
| 150 | - | - | 11419 | 1.459-1.481 |
| 150H | - | - | - | |
| 160 | - | - | 11442 | 1.609-1.615 |
| 161 | - | - | 11420 | |
| 168 | - | - | 11447 | 1.684-1.690 |
| 175 | - | - | 11421 | 1.752-1.744 |
| 204 | - | - | 11448 | 2.037-2.043 |
| 212 | - | - | 11449 | 2.120-2.126 |
| 214 | - | - | 11337 | 2.140-2.146 |

Gauges may be ordered from T&B Tool Service.

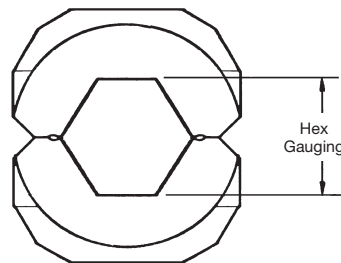


Fig. 2

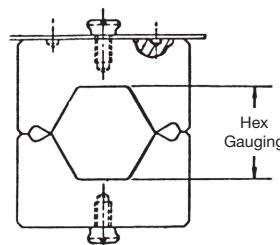


Fig. 1